

INSTALLATION INSTRUCTIONS

Dakar Sport 52076(1-4) / Dakar 52076(1BB-4BB) / Rhino Charger BB52076(1B-4PS)

Chevrolet Silverado 03 - 06

Parts List:**QTY**

(52076) -1- Dakar sport
(5207640) -2- Bracket de montaje
(Lado del conductor y pasajero)

(1) Hardware kit including:

- (1) -4- 1/2 x 1 1/4" Hex head bolt
- (2) -6- 1/2" Flat washer
- (3) -6- 1/2" Lock washer
- (4) -4- 1/2" Nut
- (5) -2- 1/2 x 2" Hex head bolt
- (6) -1- Bolt guide

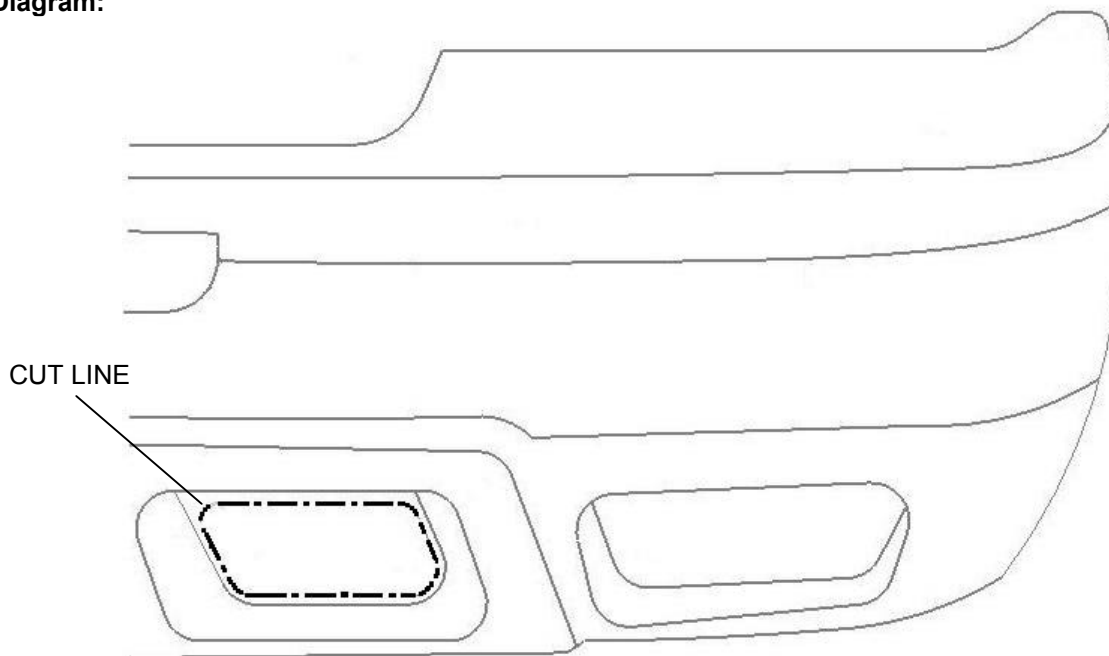
Tools required:

3/4" Socket Ratchet

Instructions:

Aproximated installation time: 30 min.

1. Read and understand instructions completely before beginning installation.
2. Remove dragging hooks from the chassis and keep the hook as well as the screws, these will not be re-installed.
Note: if vehicle does not have dragging hook's holes, you will have to cut as shown in fig. A.
3. In the hook's place, put the mounting bracket (5207640) see fig. B, hold it with the bolts (1) flat washer (2) lock washer (3) and hex nut (4) see fig. B. To place bolts, use the bolt guide.
4. Hold on the Dakar sport (52076) to the brackets (5207640) with bolts (5) flat washer (2) and lock washer (3) see fig. B.
5. You may need to periodically re-tighten the bolts.

Assembly Diagram:**Cleaning and care instructions:**

Diseño:

Calidad:

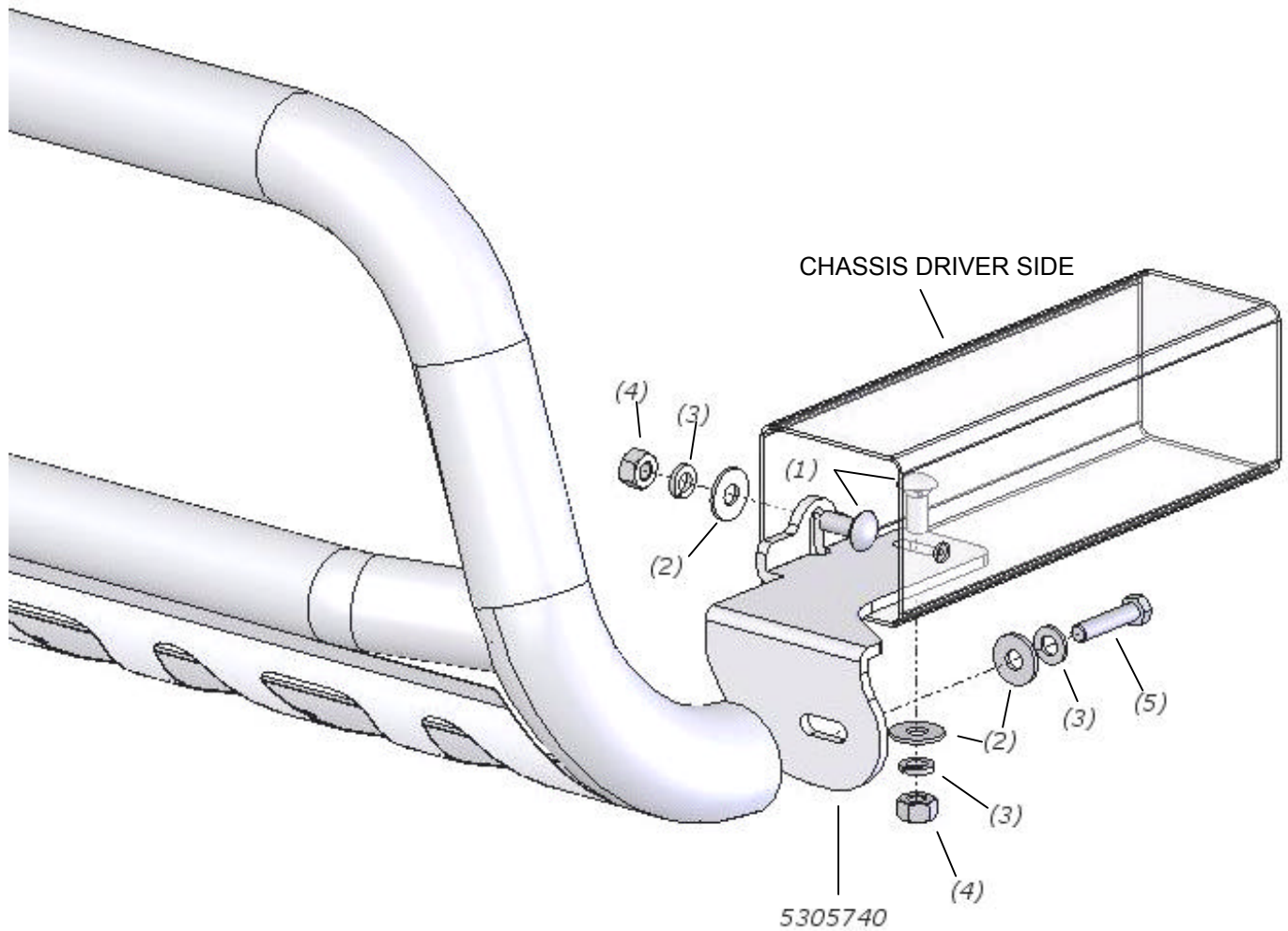
Protect the finish with a non-abrasive automotive wax, (e.g. Pure Carnauba) on a regular basis. The use of any soap, polish, or wax that contains an abrasive is detrimental to the finish, as the compounds scratch the finish and cause corrosion.

INSTALLATION INSTRUCTIONS

Dakar Sport 52076(1-4) / Dakar 52076(1BB-4BB) / Rhino Charger BB52076(1B-4PS)

Chevrolet Silverado 03 - 06

Assembly Diagram:



Cleaning and care instructions:

Diseño:

Calidad:

Protect the finish with a non-abrasive automotive wax, (e.g. Pure Carnauba) on a regular basis. The use of any soap, polish, or wax that contains an abrasive is detrimental to the finish, as the compounds scratch the finish and cause corrosion.