

Preparation:

- Disconnect the negative battery terminal. Park the vehicle on level ground and set the emergency brake.
- We recommend reading through the installation instructions in whole before performing the work.
- When button head bolts are being used, install the supplied washer on the nut side. Then, hold the bolt stationary and only turn the nut to tighten. Do not turn the bolt to tighten hardware assembly, unless otherwise noted.
- Estimated Installation Time: **2 Hours for OEM Removal/Bumper Installation**
1 Additional Hour to Wire Center Lights
1 Additional Hour to Wire Side Lights

****This installation requires 2 people for best results****

****Labor Rates are based on a vehicle with no pre-existing damage. Wiring labor is based on a standard wiring procedure with light switches installed in an easily accessible location. Custom light triggering or switch mounting location will result in a greater labor charge.****

You will need the following tools:

- | | | |
|----------------|-----------------|-----------------------------|
| - Ratchet | - 15mm Socket | - 18mm Socket |
| - 9/16" Socket | - 13/16" Socket | - 9/16" Wrench |
| - 3/4" Wrench | - 7/8" Wrench | - 7/32" Allen Wrench/Socket |
| - 5/16" Allen | | |

Included in Kit:

- | | |
|---|---|
| 4 - Hex Head Bolts (3/8-16 x 1") | 6 - Fender Washers (3/8") |
| 4 - U-Nuts (3/8"-16) | 4 - Hex Head Bolts (9/16-12 x 2") |
| 8 - Flat Washers (9/16") | 4 - Nylon Lock Nuts (9/16"-12) |
| 4 - Hex Head Bolts (1/2-13 x 1 1/2") | 8 - Flat Washers (1/2") |
| 4 - Nylon Lock Nuts (1/2"-13) | 4 - Black Button Head Bolts (1/2-13 x 1 1/2") |
| 4 - Black Washers (1/2") | 4 - Black Nylon Lock Nuts (1/2"-13) |
| 2 - Black Button Head Bolts (3/8-16 x 1") | 2 - Black Washers (3/8") |
| 2 - Black Nylon Lock Nuts (3/8"-16) | 2 - Hex Head Bolts (3/8-16 x 1 1/4") |
| 2 - Flat Washers (3/8") | 2 - Nylon Lock Nuts (3/8"-16) |
| 2 - Bumper Mounting Brackets | 4 - Carriage Bolts (3/8-16 x 1") (20 Model Only) |
| 4 - Flat Washers (3/8") (20 Model Only) | 4 - Nylon Lock Nuts (3/8"-16) (20 Model Only) |
| 2 - Light Mount Tabs (for 20" LED Bar) (20 Model Only) | |

Removal:

1. Unplug the main fog light harness connector. This connector is located along the driver side frame rail underneath the truck. (Fig A)

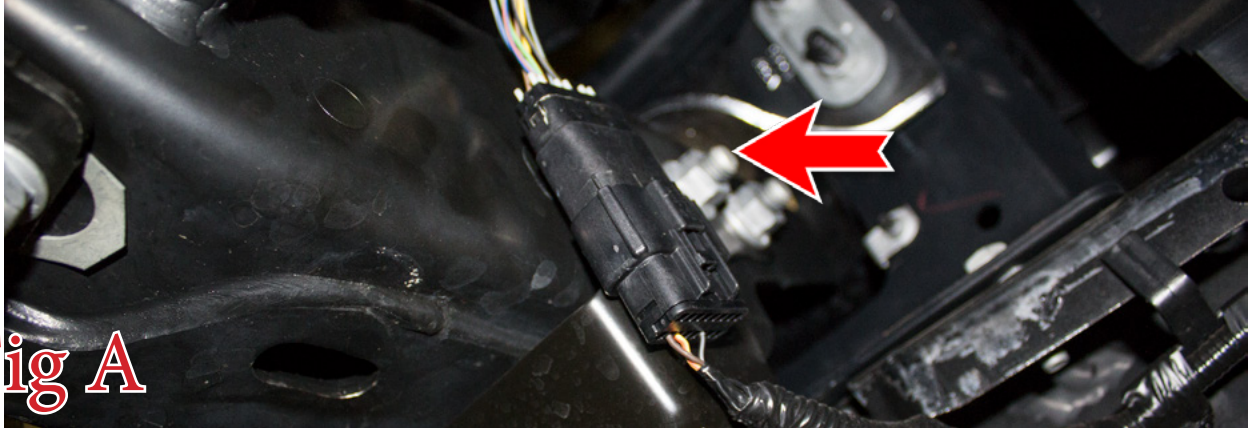


Fig A

2. Use a 15mm Socket to remove the two bolts (per side) that secure the OEM bumper side supports. These bolts can be seen when looking into the wheel well, towards the front of the truck. Save these bolts for reuse. (Fig B)

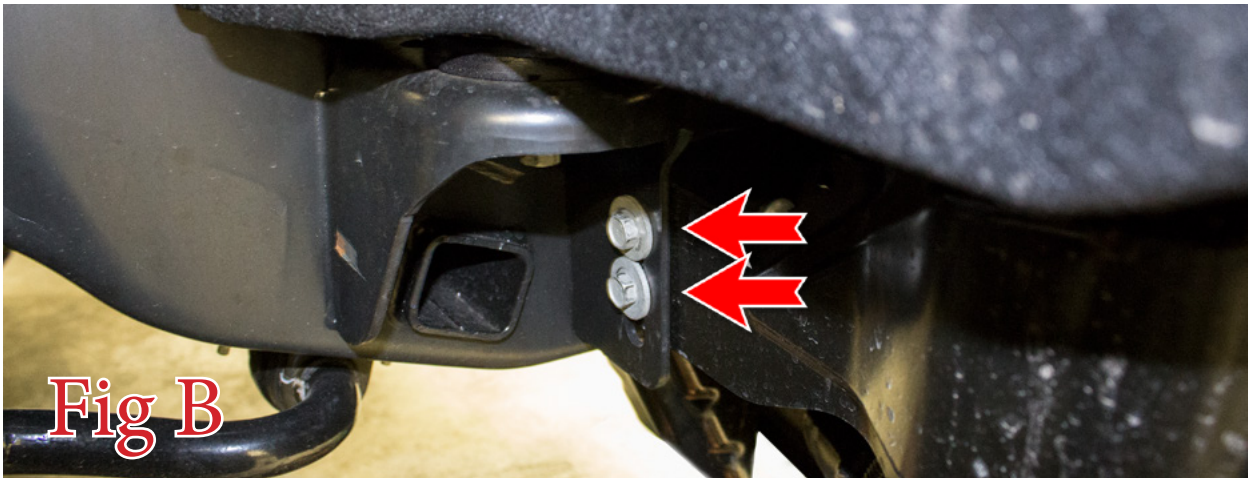


Fig B

3. Remove the two plastic covers that sit around the tow hooks by unclipping the two top clips that hold them on. (Fig C) **If you have a 2020-Up these will look slightly different but still need to be removed.**

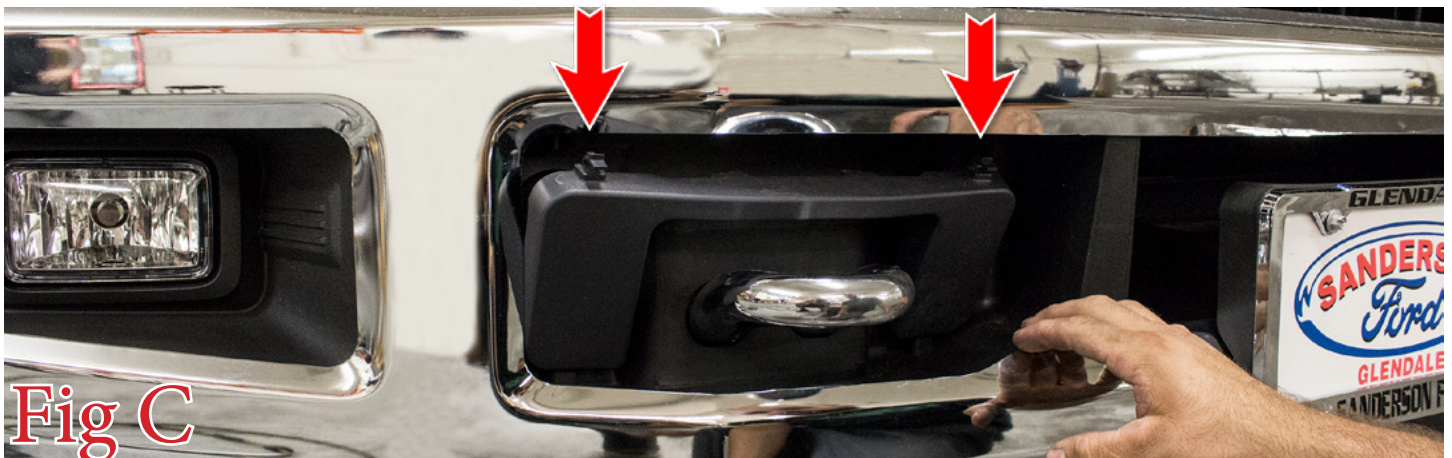


Fig C

4. Use an 18mm Socket to remove the OEM bumper mounting bolts (4 per side) that are visible after removing the two plastic covers. (Fig D)



Fig D

5. Remove the OEM Bumper.
6. Use an 18mm to remove the tow hook mounting bolts (4 per side), then remove the tow hooks. (Fig E)

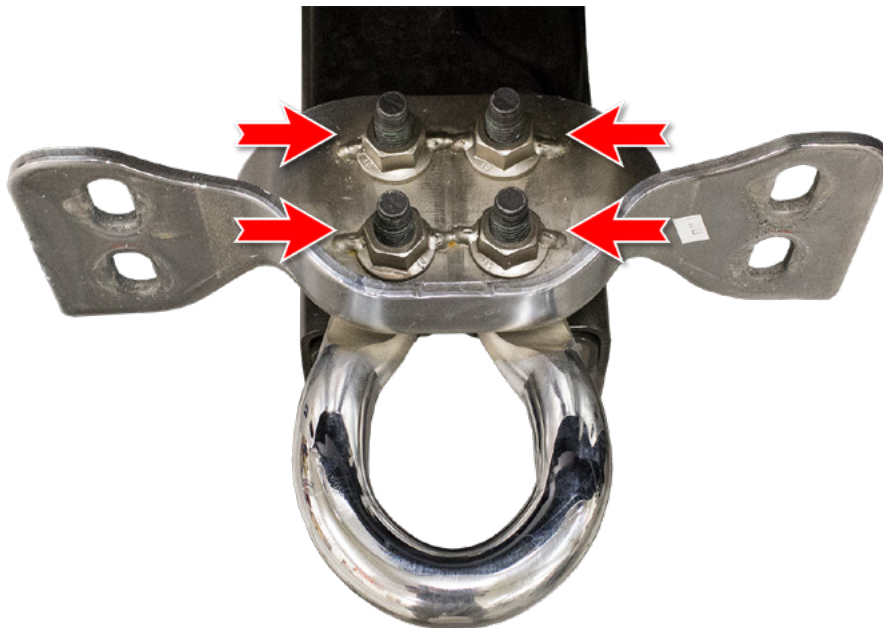


Fig E

7. Use an 18mm Socket to remove the mounting nuts (4 per side) for the lower brackets on each frame rail. Then, remove these brackets. Save these bolts for reuse. (Fig F)

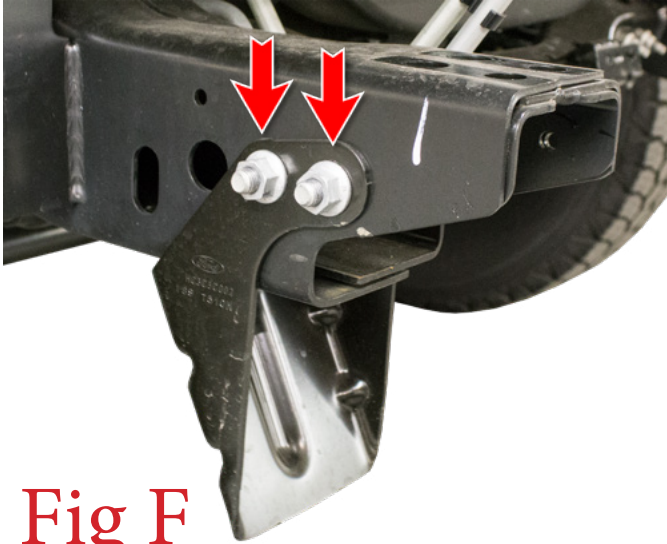
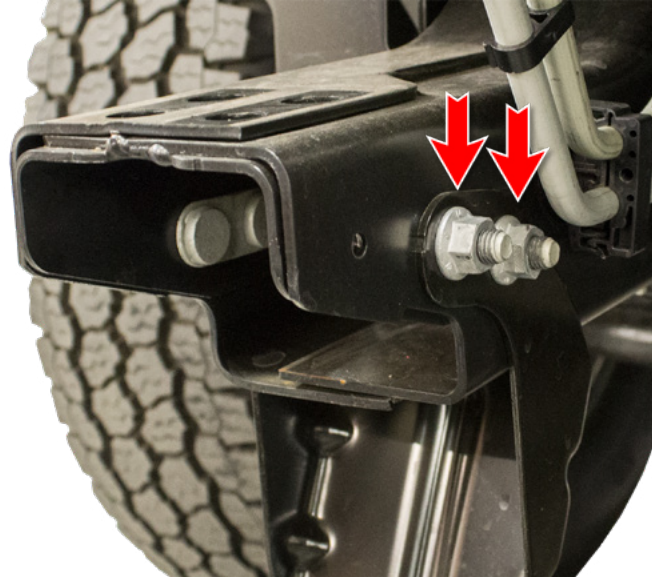
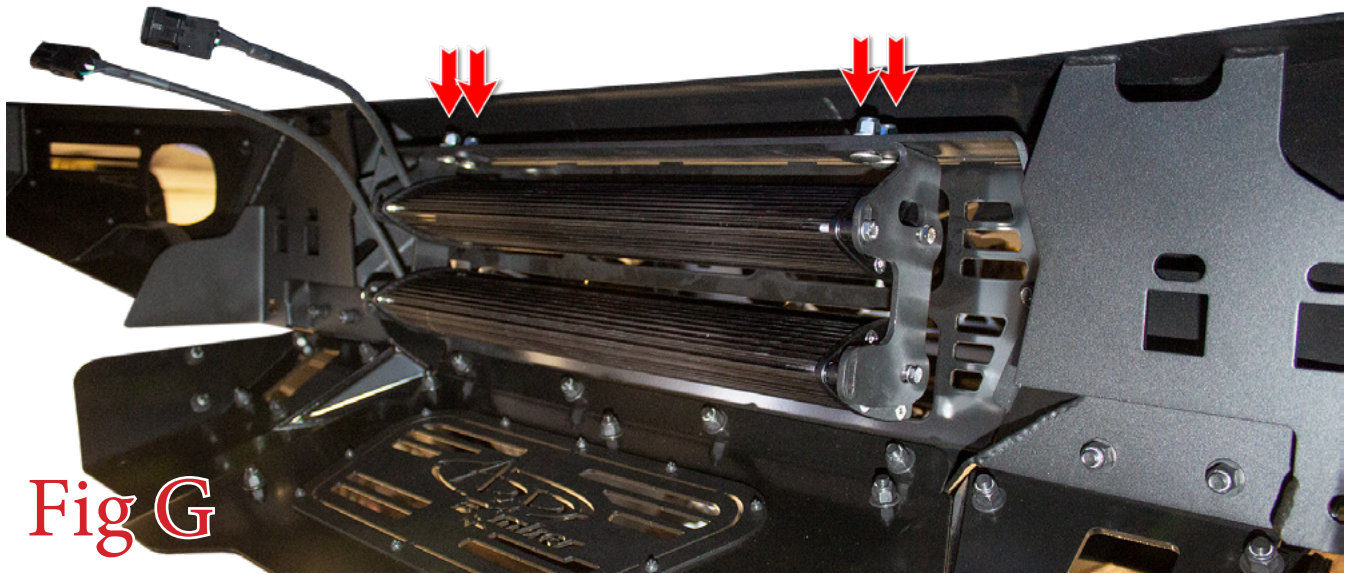


Fig F



Installation:

8. If you have the dual 20" light bar version of this bumper, follow this step. If not, skip this step. Use the supplied 3/8" Carriage Bolts (x4), 3/8" Washers (x4), and 3/8" Lock Nuts (x4) to loosely install the onto the bumper. Then, install the light bars using the hardware supplied by the light manufacturer. The final product will look like (Fig G).



9. If you have the Baja LP6 version of this bumper, follow the next 3 steps. If not, skip to step ?. Remove the 6 bolts that hold the light bracket to the bumper. Then, remove this bracket from the bumper. (Fig H)



10. Install your Baja LP6 lights using the light manufacturer's mounting hardware. (Fig I)



Fig I

- 11. Reinstall your light bracket onto the bumper by reversing Step 9.
- 12. If you have the Rigid 360 Series version of this bumper, you can install your lights onto the bumper without removing the light bracket.
- 13. Install the supplied U-Nuts (x4) onto your bumper as shown in (Fig J).

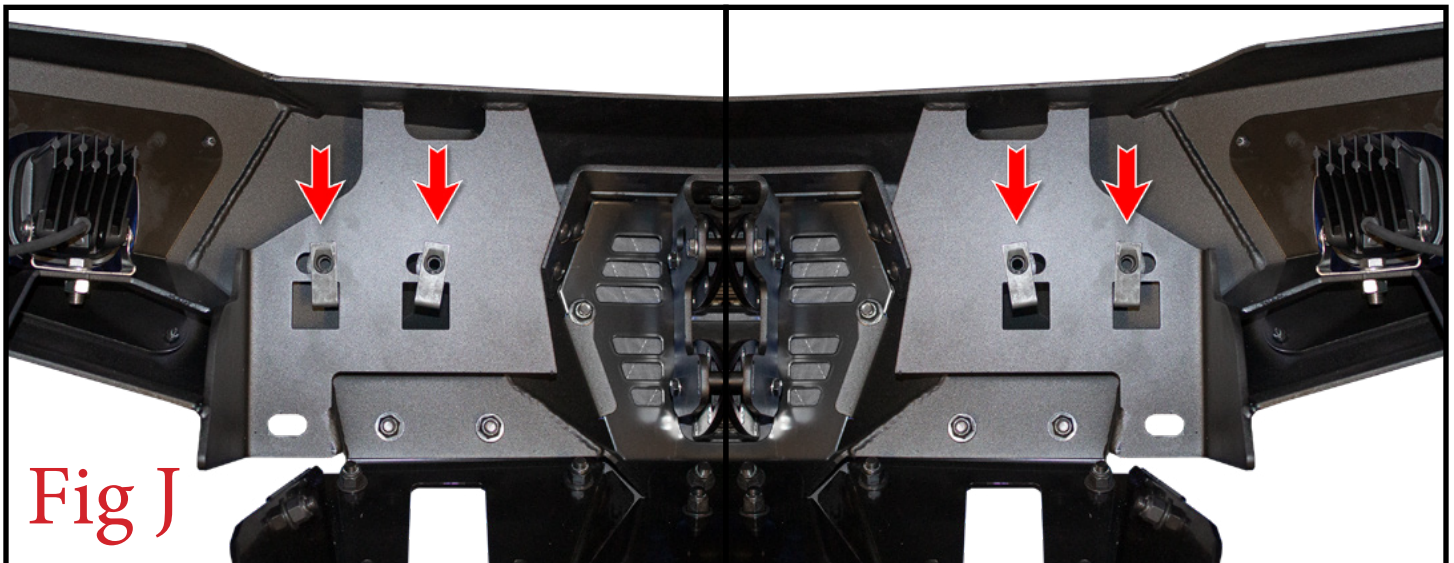


Fig J

14. Set the supplied Bumper Mounting Brackets in place on the vehicle. Then, install the supplied 9/16" Bolts (2 per side), 9/16" Washers (4 per side), and 9/16" Lock Nuts (2 per side) in the top mounting holes. Install the supplied 1/2" Hex Head Bolts (2 per side), 1/2" Washers (4 per side), and 1/2" Lock Nuts (2 per side) in the side mounting holes. Install the supplied 1/2" Black Button Head Bolts (1 per side), Black 1/2" Washers (1 per side), and Black 1/2" Lock Nut (1 per side) in the back mounting tab. (Fig K)

Install the 9/16" Bolts Here

Install the 1/2" Hex Head Bolts Here

Install the 1/2" Button Head Bolt Here

Fig K

15. Install the supplied 3/8" x 1 1/4" Hex Head Bolt (1 per side) with one regular washer (to be installed on the bottom side of the mount) and one fender washer (to be installed inside the frame rail) in the bottom mounting hole on the bumper brackets. (Fig L)

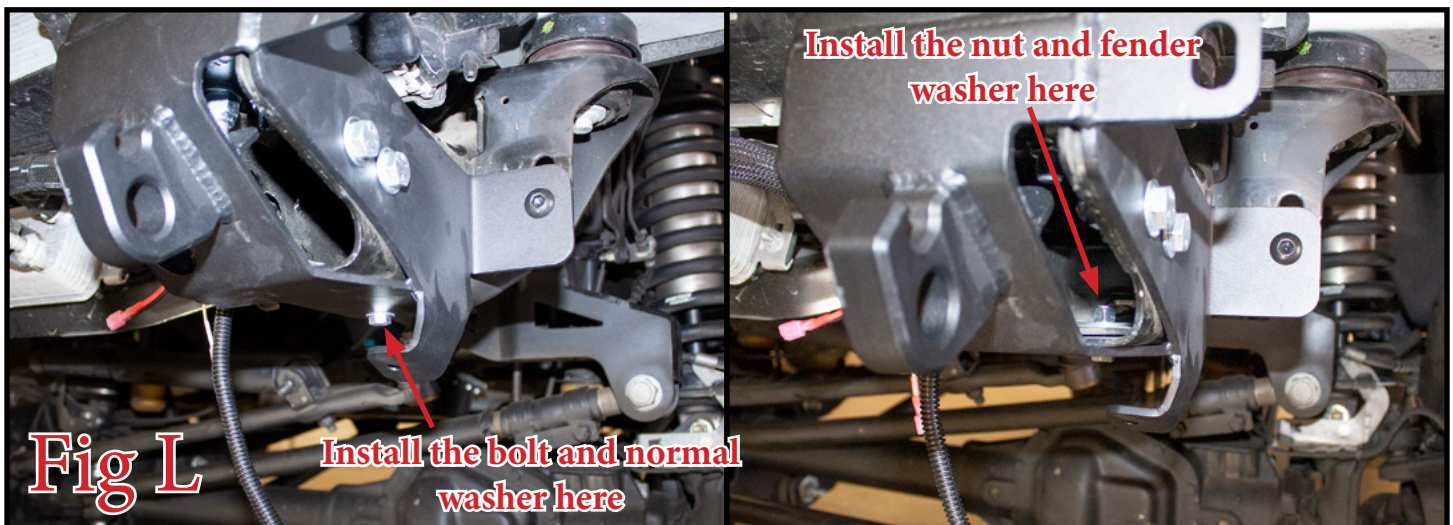


Fig L

16. If you have a lift kit with a sway bar bracket similar to what is pictured, loosen the sway bar bracket, slide the bumper bracket into place, then tighten the sway bar bracket so that the sway bar bracket sandwiches the bumper bracket between it and the frame as shown. (Fig M)

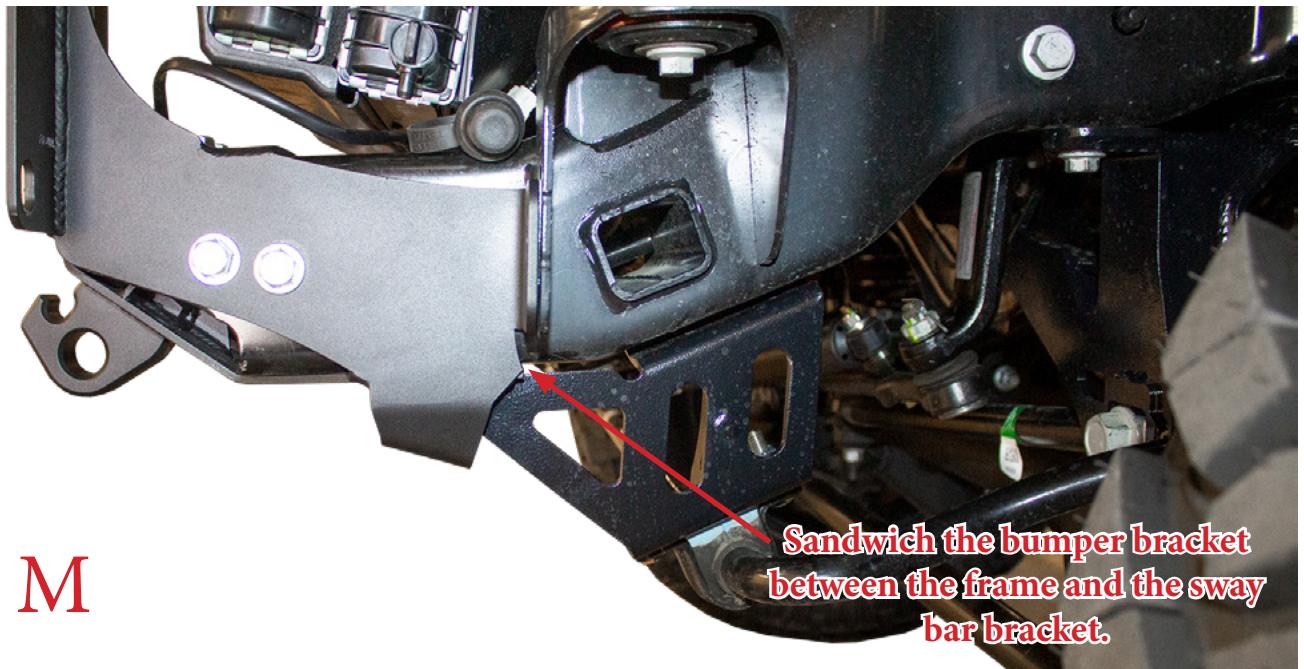


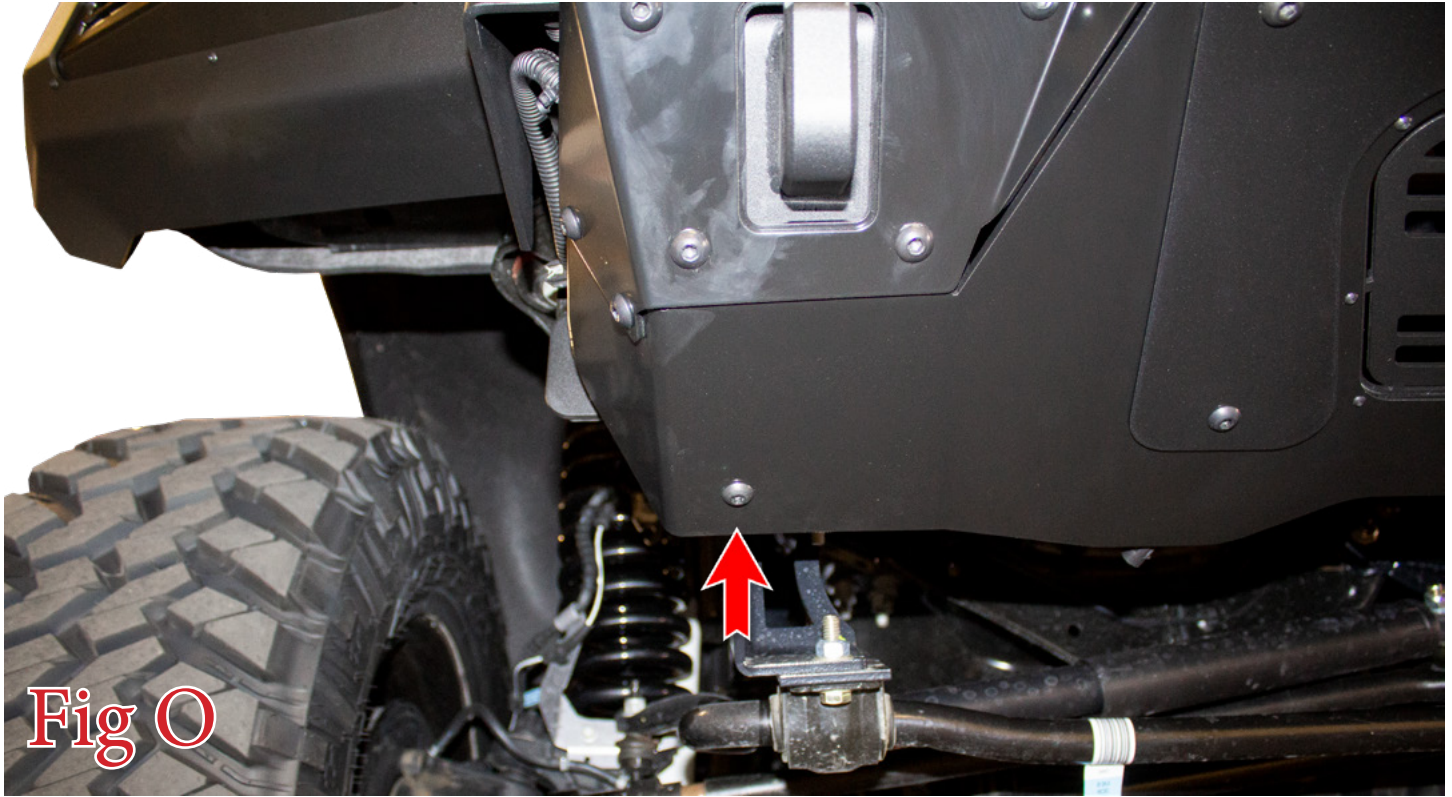
Fig M

17. Set the bumper in place on the vehicle. Install the supplied 1/2" Black Button Head Bolts (1 per side), 1/2" Black Washers (1 per side), and 1/2" Black Lock Nuts (1 per side) on the outer/lower mounting holes of the frame horns. Then, install the supplied 3/8" Hex Head Bolts (2 per side) and 3/8" Fender Washers (2 per side) from the back side of the frame horns. Leave these bolts loose for now. (Fig N)



Fig N

18. Install the supplied 3/8" Black Button Head Bolt (1 per side), 3/8" Black Washer (1 per side), and 3/8" Black Lock Nut (1 per side) into the skid plate mounting hole. Leave these bolts loose for now. (Fig O)



19. Align the bumper so it is centered left to right and straight in relation to the headlights/grille. Then, tighten the 3/8" Mounting Bolts to 25 foot pounds and the 1/2" Mounting Bolts to 70 foot pounds.

20. Stand back and enjoy your new ADD Bomber™ Front Bumper.

21. Check and re-tighten, if needed, all mounting bolts after 100 miles and periodically thereafter.

