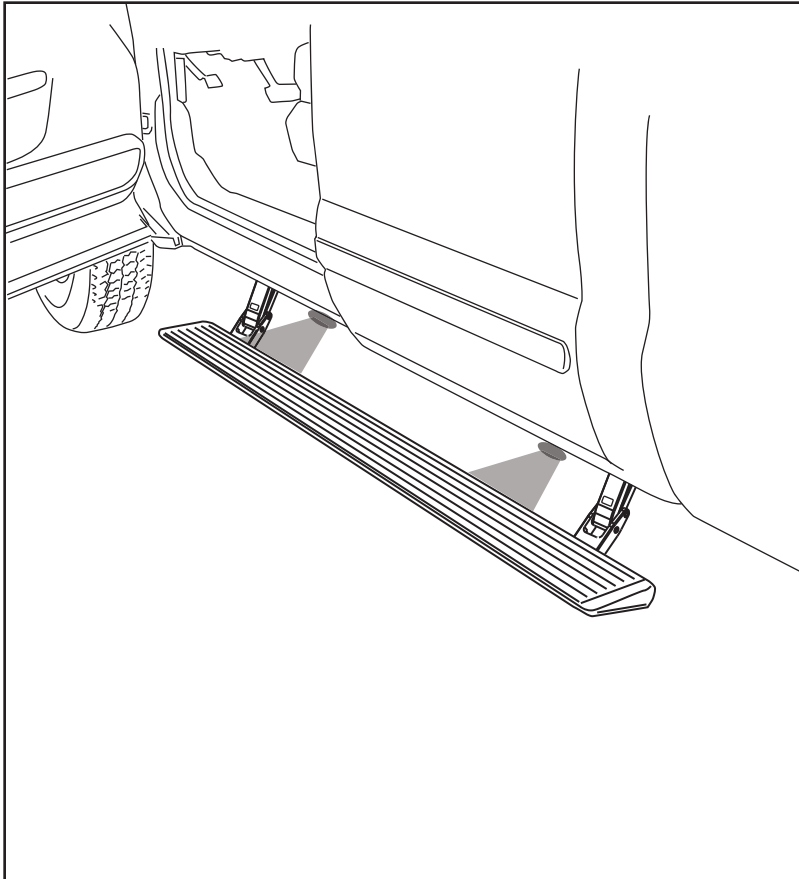


INSTALLATION GUIDE

AMP RESEARCH Power Step

MADE IN USA

APPLICATION	LENGTH	MODEL YR	PART #
Ford F-250 / F-350 / F-450 Regular Cab *	(48")	2002-2003, 2008 - 2016	75134-01A
Ford F-250 / F-350 / F-450 Super Cab *	(60")	2002-2003, 2008 - 2016	75134-01A
Ford F-250 / F-350 / F-450 Crew Cab	(79")	2002-2003, 2008 - 2016	75134-01A
Ford Excursion	(79")	2002-2003, 2008 - 2016	75134-01A



INSTALLATION TIME

3-5 Hours

Professional installation recommended

SKILL LEVEL



4= Experienced

TOOLS REQUIRED

- Safety goggles
- Measuring tape
- Flat blade screwdriver
- Phillips head screwdriver
- 13mm socket
- 8mm socket
- Ratchet wrench and extension
- Wire crimpers
- Wire stripper / cutter
- 3/16" hex key (allen wrench)
- 4mm hex key (allen wrench)
- Electrical tape
- Silicone caulking (sealer)
- 25/64" Drill Bit
- 9/32" Drill Bit

WARRANTY

5-Year Limited Warranty

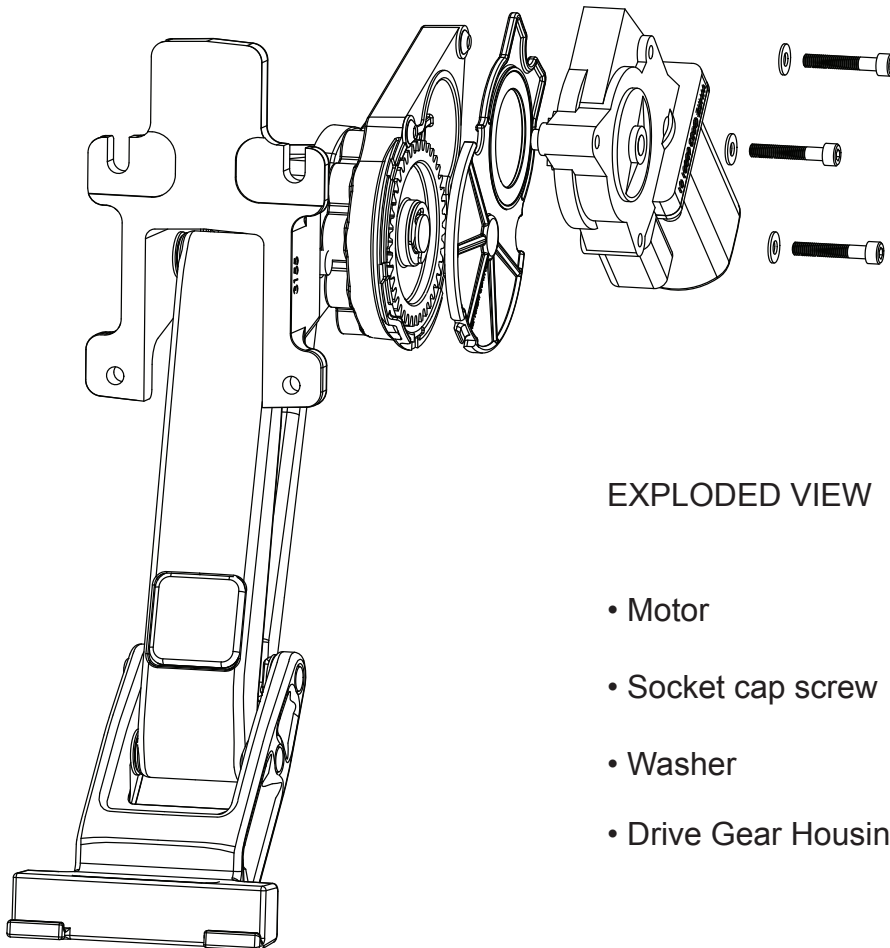
AMP RESEARCH TECH SUPPORT 1-888-983-2204 (Press 2) Monday - Friday, 7:00 AM - 5:00 PM PST

Invented, engineered and manufactured exclusively by AMP Research in the USA. May be covered by one of the following patents: 6,641,158; 6,830,257; 6,834,875; 6,938,909; 7,055,839; 7,380,807; 7,398,985; 7,584,975 ©2012 AMP Research. All rights reserved. Printed in USA.

INSTALLATION GUIDE

Attaching motor to linkage assembly

The motors must be attached to the linkage assemblies before continuing the installation process.



EXPLODED VIEW

- Motor
- Socket cap screw
- Washer
- Drive Gear Housing Cover

CAUTION: HANDLE WITH CARE.

To ensure our customers receive all components with full integrity, we pack the motors separate from their linkage assemblies. This requires that the installer position and fasten the motor before continuing with the install. Please follow the instructions below and handle the assembly carefully.

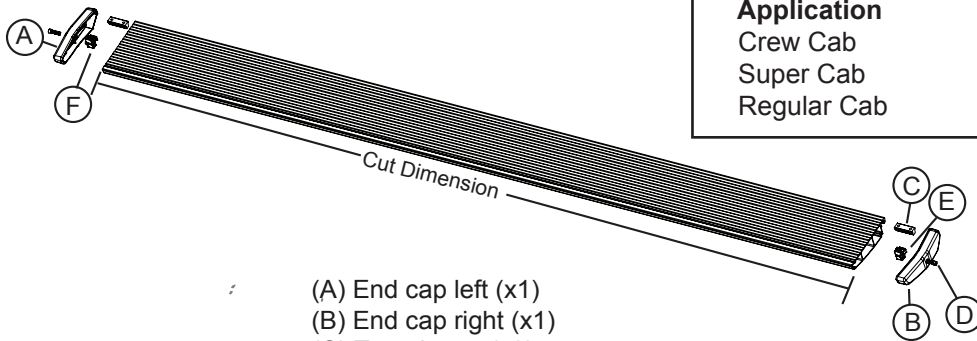
CAUTION: Dropping the assembly or any excessive impact MAY cause damage to the motor.

Instructions:

1. Position the gear cover in place as shown if not already in place.
2. Seat motor into position on the three mounting bosses. This may require an adjustment of the gear by moving the swing arms.
3. After seating into place, fasten the motor with the three motor mount screws with 4mm Hex Head. Tighten screws to 36 in-lbs (4N-m). **Do not over torque.**

Note: Some Applications require modification

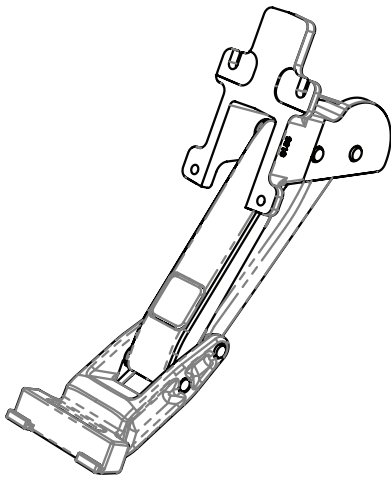
Application	Cut Length
Crew Cab	79" (No Modification Required)
Super Cab	60" (Trim 19")
Regular Cab	48" (Trim 31")



- (A) End cap left (x1)
- (B) End cap right (x1)
- (C) T-nut insert (x2)
- (D) Socket cap screw (x2)
- (E) End cap wedge right (x1)
- (F) End cap wedge left (x1)

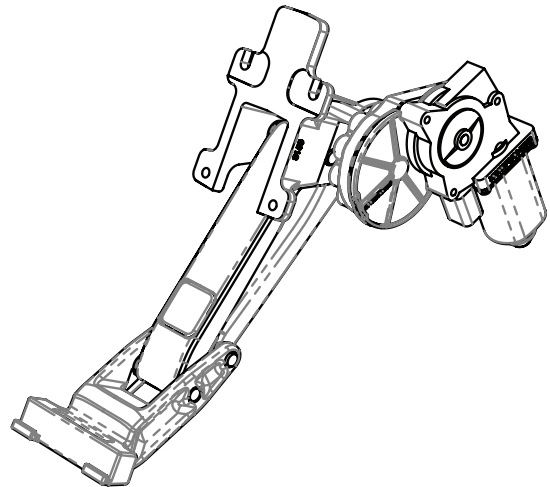
1 x2

Running board assembly



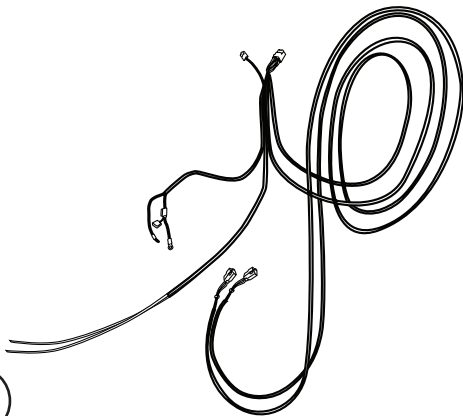
2 x2

Idler linkage assembly



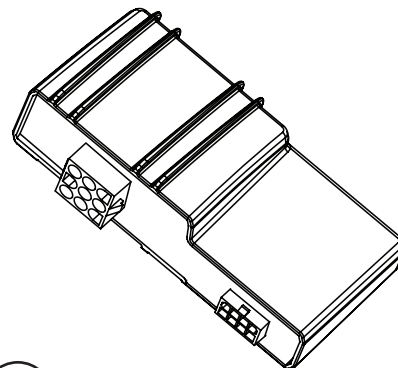
3 x2

Motor linkage assembly



4

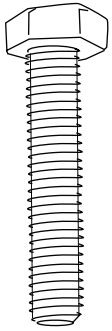
Wire harness



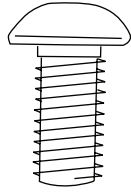
5

Controller STB

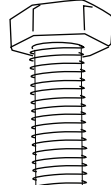
PARTS LIST AND
HARDWARE
IDENTIFICATION



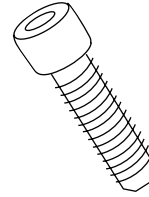
⑥ x8
Hex bolt



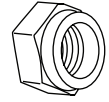
⑦ x8
Button head - M10



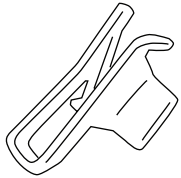
⑧
Socket cap screw



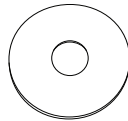
⑨ x8
Socket cap screw



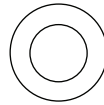
⑩
Nylock nut



⑪ x8
U-nut



⑫
Large OD Washer



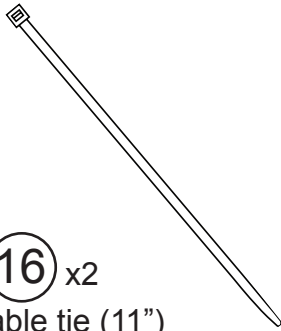
⑬ x8
Washer (stainless)



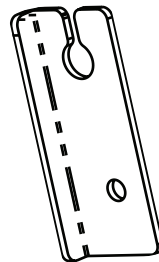
⑭ x8
Washer (black)



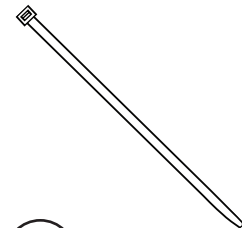
⑮
Nylock nut



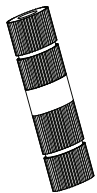
⑯ x2
Cable tie (11'')



⑰
Brake cable bracket



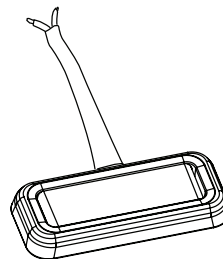
⑱ x20
Cable tie (7'')



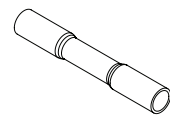
⑲ x4
Posi-Tap® connector



⑳ x4
Grommet

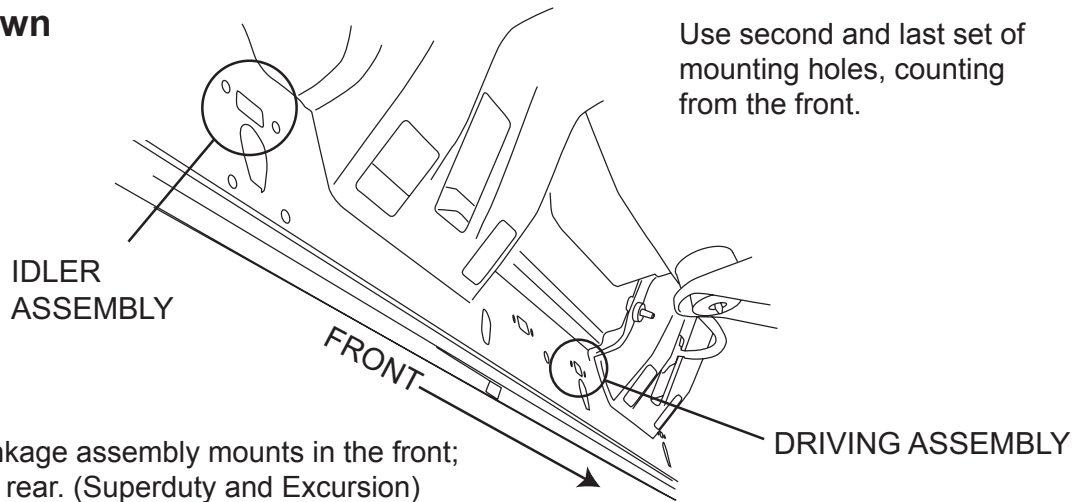


㉑ x4
LED Lamp

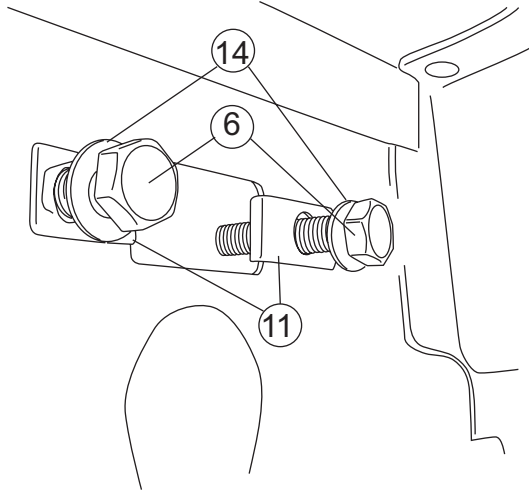


㉒ x8
Butt connector

Driver Side Shown

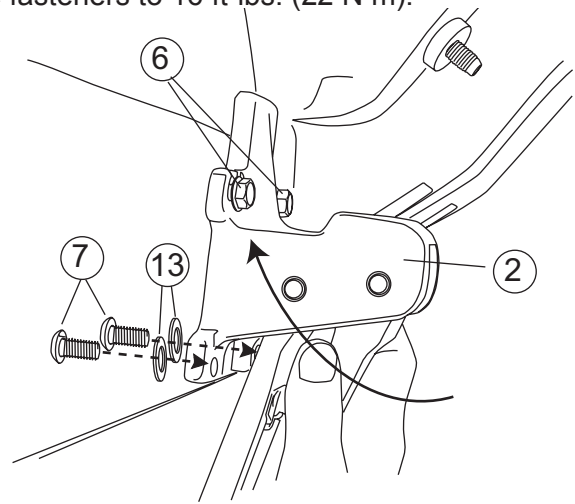


1



2

Torque fasteners to 16 ft-lbs. (22 N m).



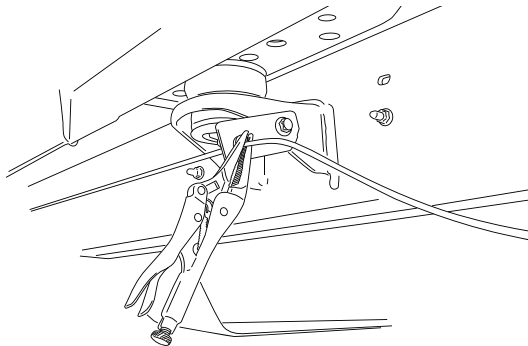
3

Note: Excursion requires hole to be drilled in body for rear linkage. Use 25/64" Drill Bit.

Steps 4 & 5 for 2008-Current Model Years Only

Disengage parking brake.

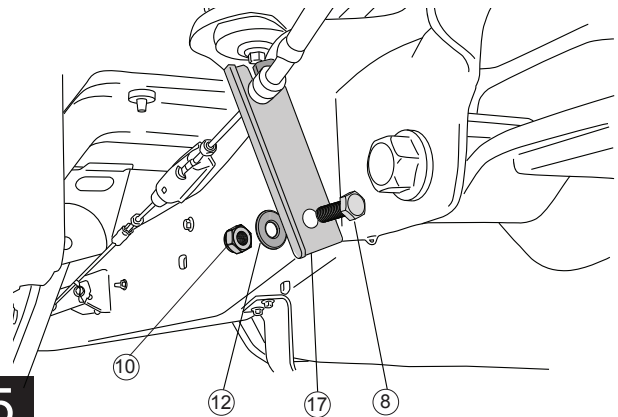
Pull parking brake cable rearward from forward support bracket to create slack in cable. Secure cable slack with locking pliers.



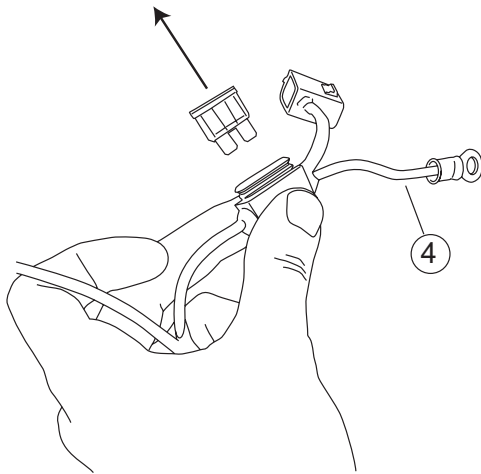
4

5

Remove cable from rear support bracket and install cable bracket extension with large washer on front side of bracket. Re-install parking brake cable and remove locking pliers.

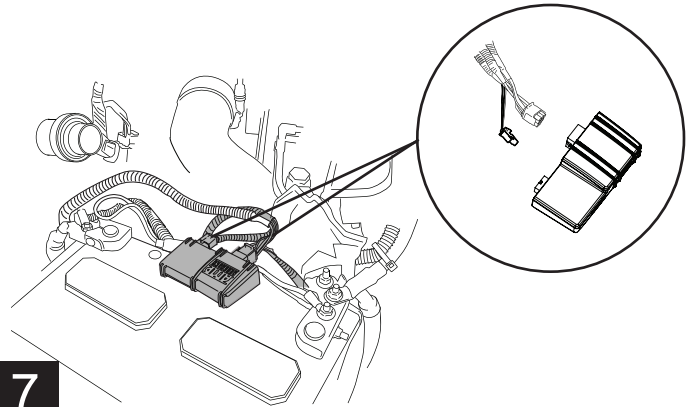


Remove fuse from harness.



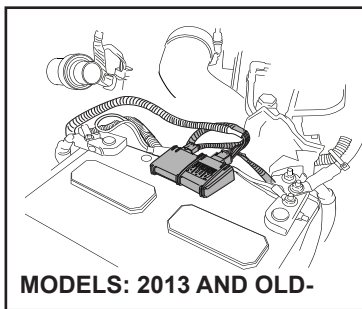
6

Secure controller to vehicle wire loom beside battery (on passenger side) and connect both Power Step wire harness connectors to connectors on controller. Secure locking tabs on connectors.

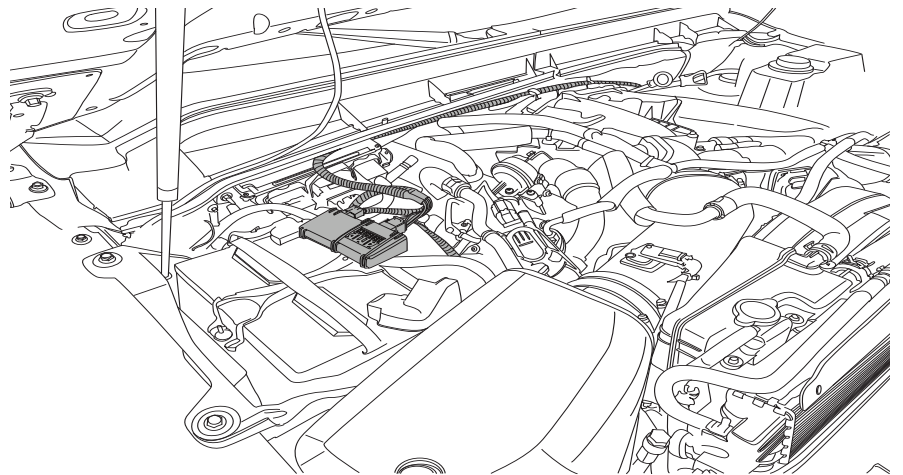


7

Connect power and ground for controller to battery, Red to positive and Black to the negative lead. Route harness legs down over wheel wells toward motor linkages, long leg across front and over to driver side. Secure all loose sections of the harness with cable ties.

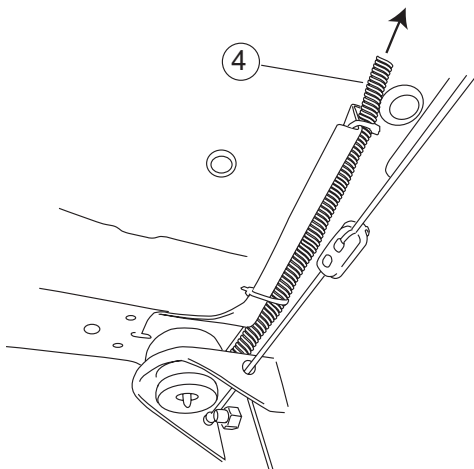


MODELS: 2013 AND OLD-

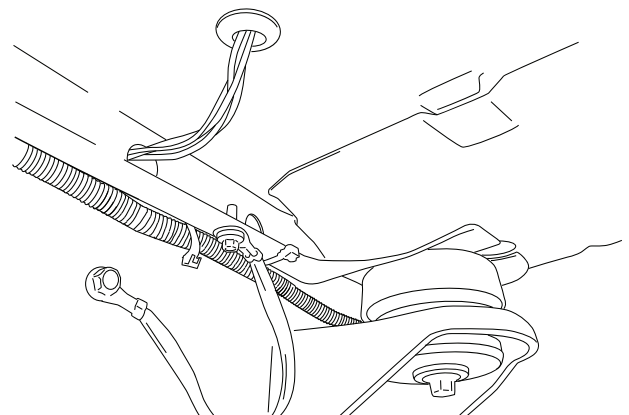


8

Run wire legs down and along underside of vehicle floor, securing with tie wraps. Run trigger wires (4) on passenger side through grommet as shown below.



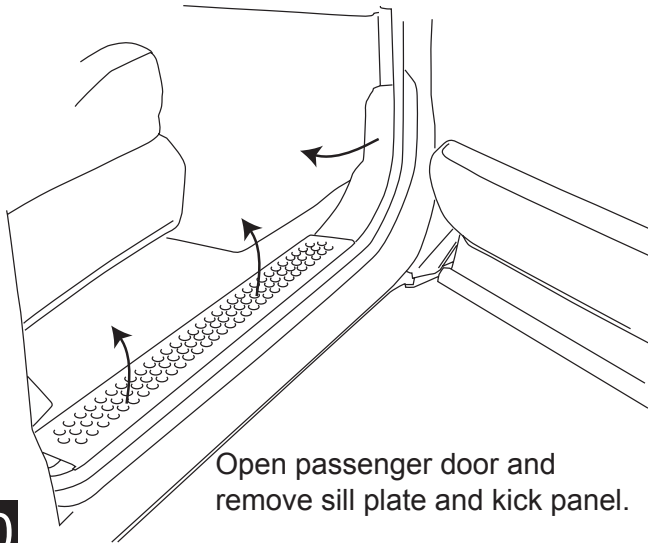
Driver-Side



Passenger-Side

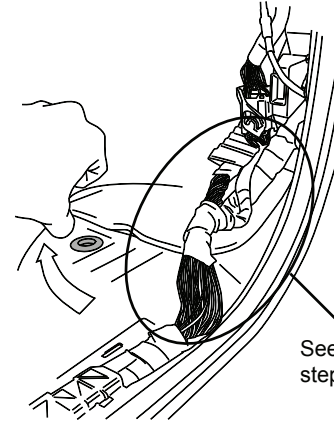
9

10



Open passenger door and remove sill plate and kick panel.

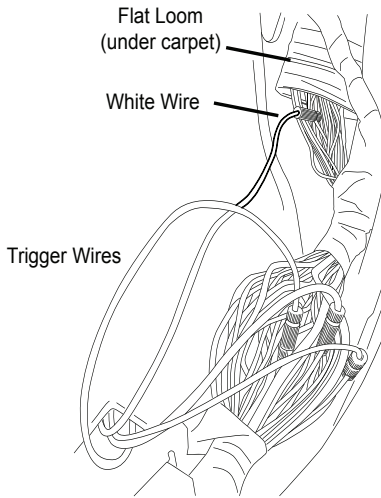
11



See detail on next step for wiring.

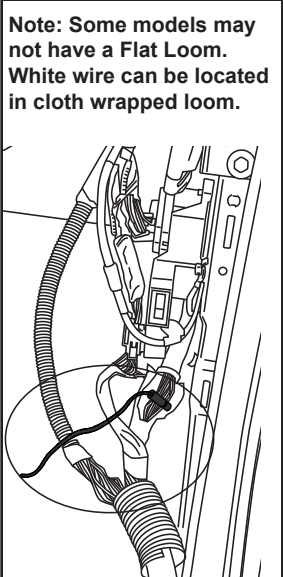
Roll back carpet and pull trigger-wire through grommet. Use silicone glue to seal holes in grommet.

2008-Current Wiring (for 2002-2003 models skip to step 13)



Flat Loom (under carpet)
White Wire

Trigger Wires



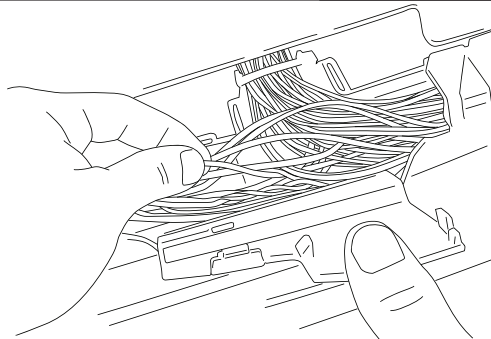
Note: Some models may not have a Flat Loom. White wire can be located in cloth wrapped loom.

Using supplied PosiTaps®, connect trigger wires into corresponding door ajar wires. The Power Step trigger wires color coordinate with the factory door ajar wires. Note the differences explained below for Regular Cab and Super Cab.

Front Driver-Side Door: Dark Green with Purple stripe
Note: Some later models will have a Light Green with Purple stripe. **Using an Ohm meter the correct wire will ground when the front door is closed and OL with the front door open.**

Rear Driver-Side: Dark Green Note: Some later models will have a Light Green wire. **Using an Ohm meter the correct wire will ground when the rear door is closed and OL with the rear door open.**

REGULAR CAB/SUPER CAB NOTE: Connect this wire to front door wire also (Dark Green w/ Purple stripe) because these models don't have rear door ajar wires.

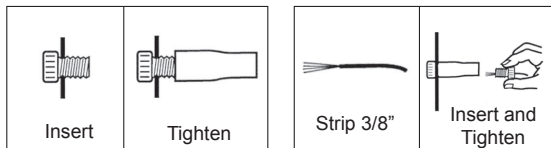


Front Passenger-Side: White... found just below flat loom as shown in the illustration above. Some later models may not have a Flat Loom. See image for no Flat Loom models.

Rear Passenger-Side: Yellow... the correct yellow wire continues on to back door. Pull on the yellow wire that leads to the back and does not cross over to driver side at junction; you'll notice the movement of the correct wire up where we connect our trigger wires.

REGULAR CAB/SUPER CAB NOTE: Connect this wire to passenger front door wire also (White), because these models don't have rear door ajar wires.

12



Insert



Tighten



Strip 3/8"

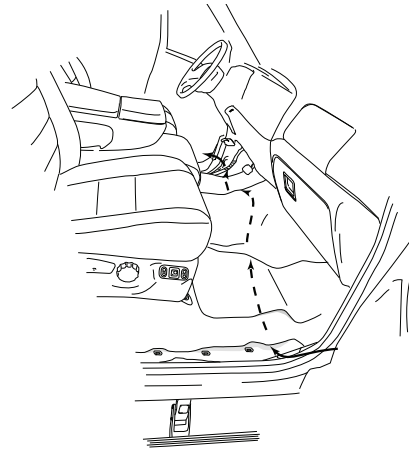


Insert and Tighten

NOTE: Steps 13-23 are only for model years 2002-2003 with factory remote keyless entry. For all other model years continue to step 24.

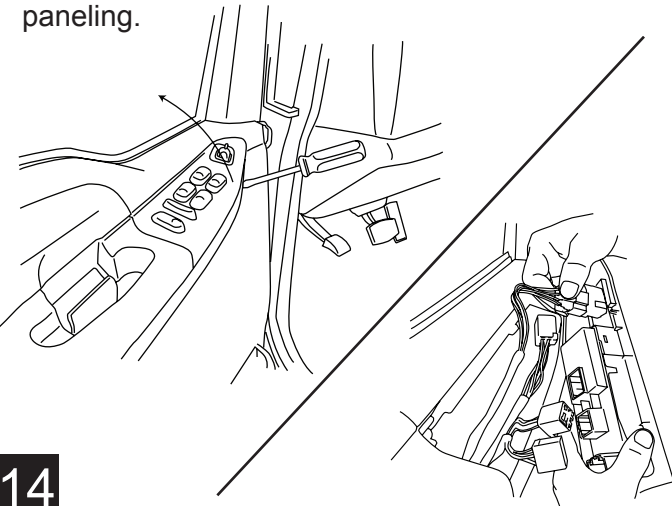
2002-2003 model year trucks require that the Green and Green/Violet wires be routed over to the driver side of the vehicle. Attach extra wire length to both wires on the harness (Green and Green/Violet), and run under carpet from passenger side to driver side.

Open driver side door and remove sill plate and kick panel. Lift carpet and pull trigger wires to driver side.

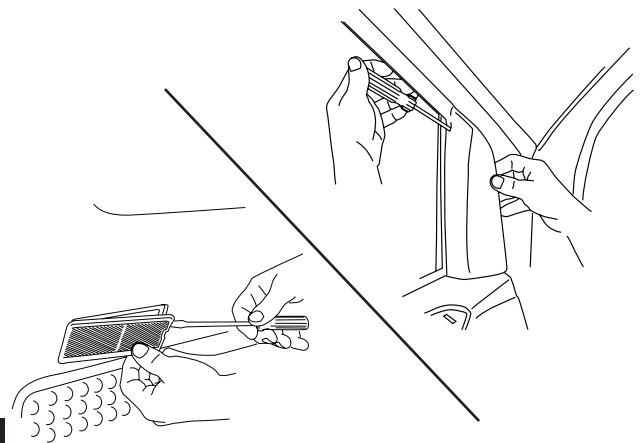


13

Remove driver side front door panel. This will require removing multiple concealed bolts and paneling.



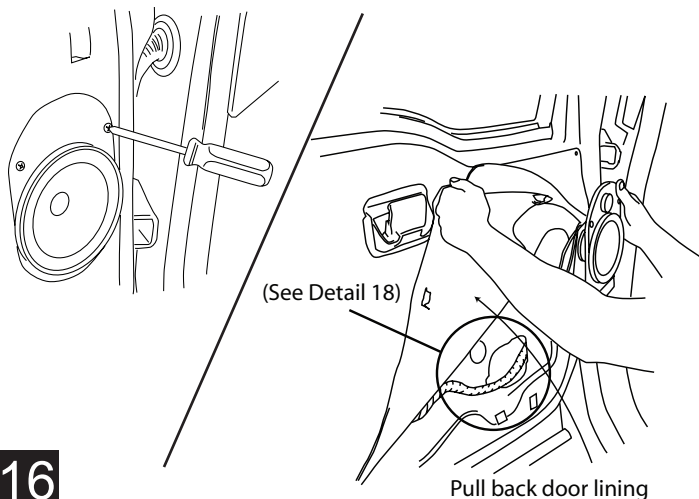
Door panel removal will require removal of door light lens and window corner trim.



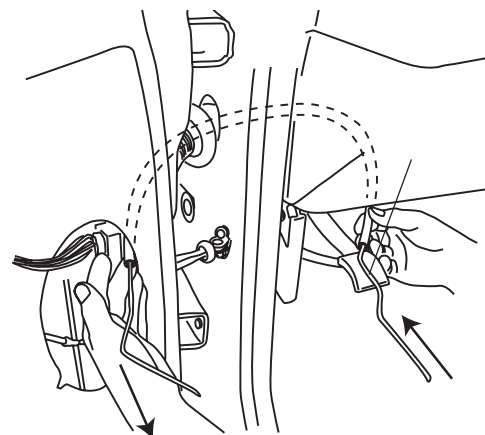
14

15

Remove speaker and pull back door lining.



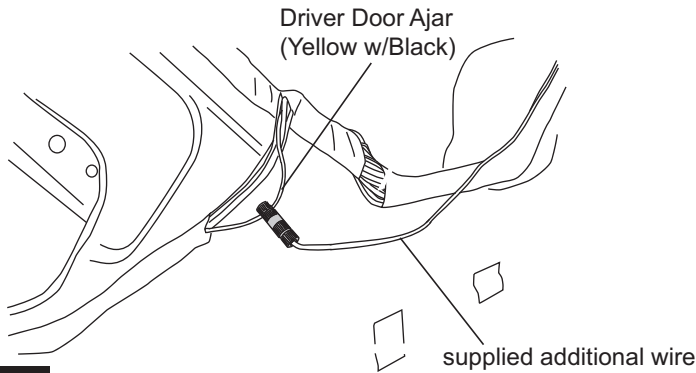
Insert plastic tubing (for wire routing) and run one trigger wire through to door compartment. Then remove the plastic tubing, pulling from door side.



16

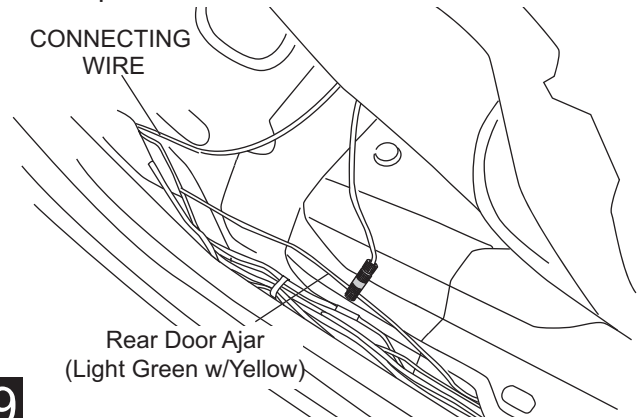
17

Driver Front Door Wiring: Using Posi-Tap connector, connect the supplied additional wire (Red) to front door ajar wire (Yellow w/Black stripe)



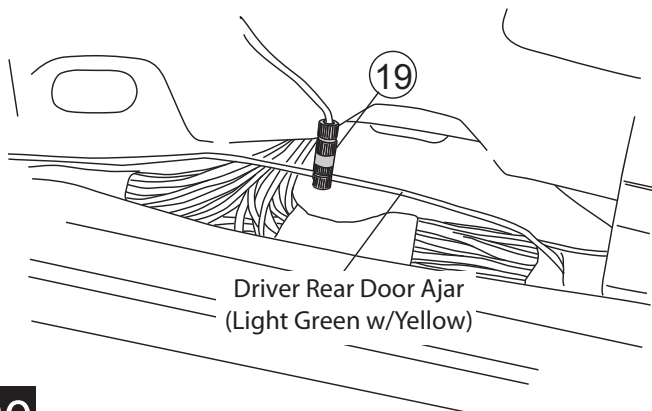
18

Driver Rear Door Wiring: Attach second connecting wire on driver side to rear door ajar wire (Light Green w/Yellow stripe), found under front door sill plate.



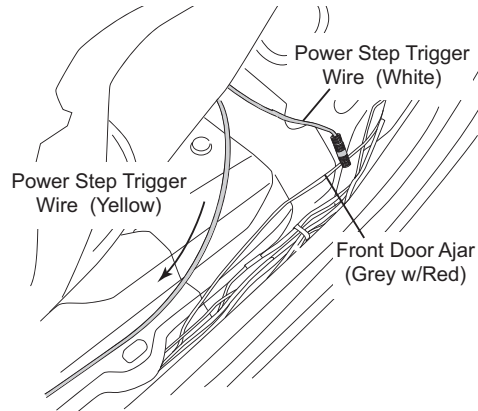
19

CAUTION: You will find two wires with these colors; the correct wire will ground when the rear door is closed and OL with the rear door open.



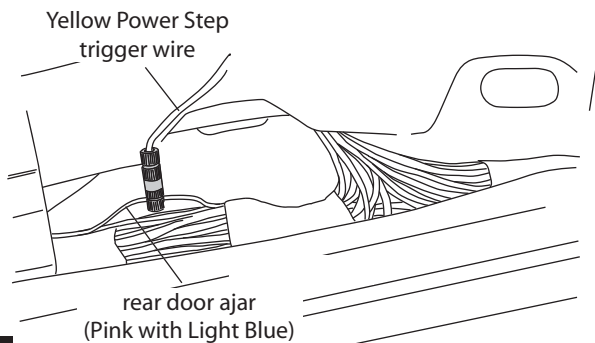
20

Passenger Front Door Wiring: Using Posi-Tap connector, connect white trigger wire to front door ajar wire (Grey w/Red stripe). Run Yellow trigger wire toward rear.



21

Passenger Rear Door Wiring: Using Posi-Tap connector, connect Yellow trigger wire to rear door ajar wire (Pink w/Light Blue stripe). This wire is found rear of junction where wires route under front passenger seat.

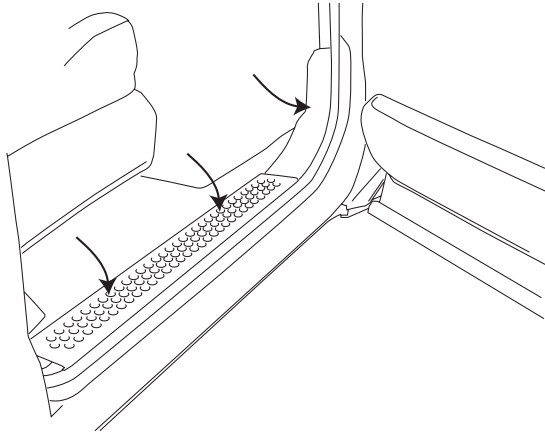


22

Note: Steps 13-23 are for model years 2002-2003 with factory remote keyless entry (the unlock remote connected to your keys). For vehicles **without** factory remote keyless entry, see wiring guide page at end of instructions.

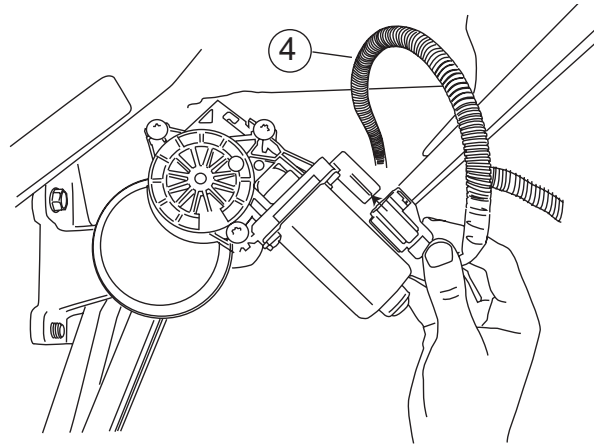
23

Secure wires and replace kick panel and sill plate. Be careful not to pinch any wires when replacing panels.



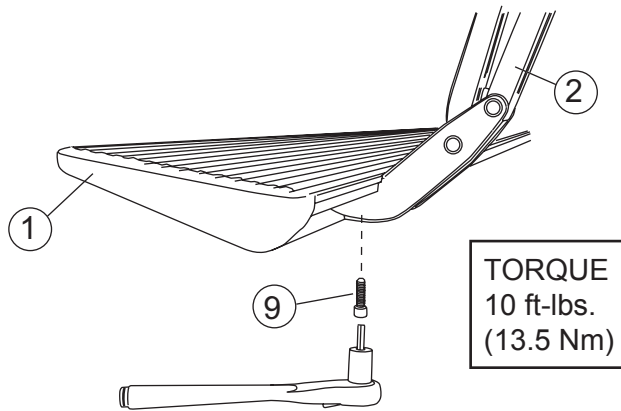
24

Plug in motors (both sides). Route remaining LED light wires back towards rear of vehicle.



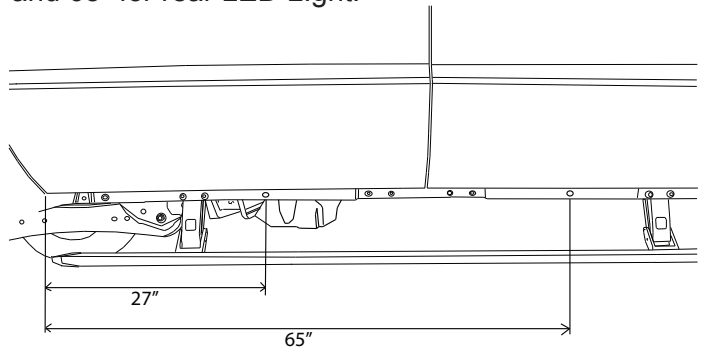
25

Slide mounting T-nut into position. Mount Board and tighten fasteners to 10ft-lbs. Align the end of the board with the rear edge of the back door.



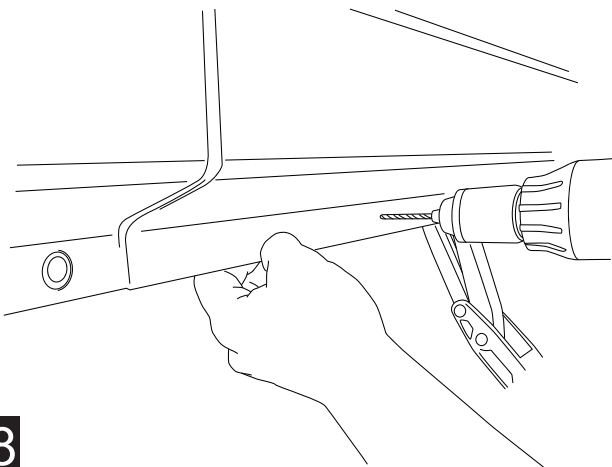
26

On each side of the vehicle measure from the front edge of door line on the pinch weld to the specified lengths below. Measure at 27" for front LED Light and 65" for rear LED Light.



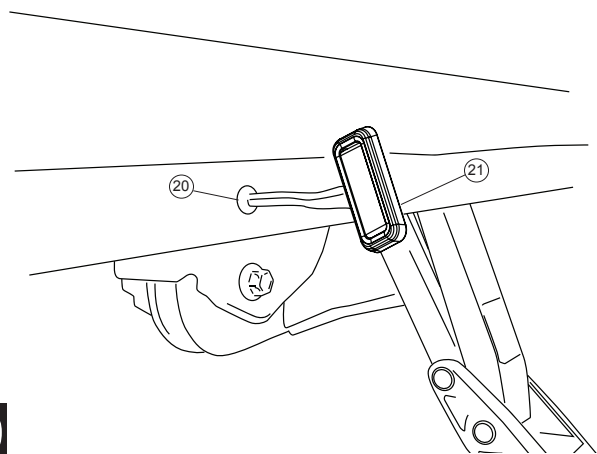
27

Drill a 9/32" hole through the pinch weld at marked locations. Debur all holes.



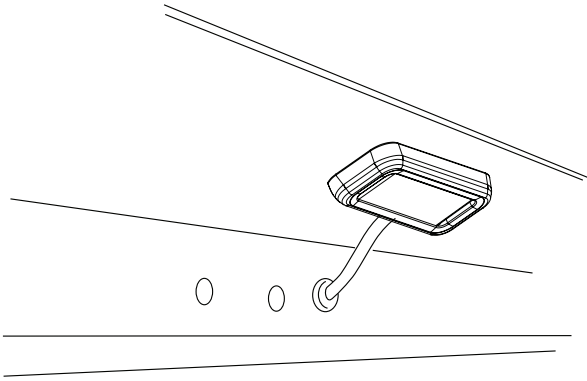
28

Insert grommet into drilled holes. Insert lamp wires through the grommets. (Silicon lube will help wires slip through grommets.)



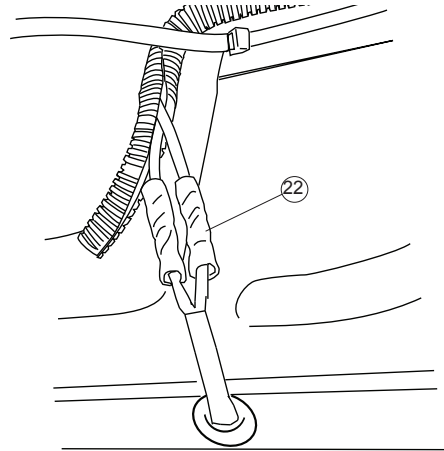
29

Affix lamp to rocker panel surface. Make sure lamp is affixed to a flat, clean surface.



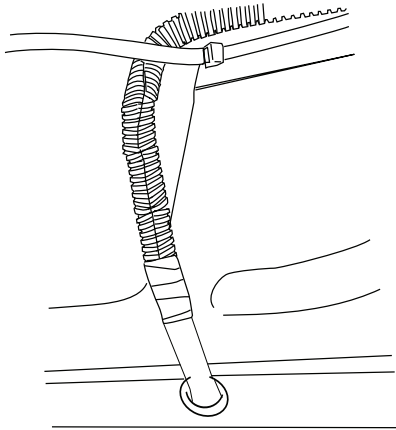
30

Using supplied butt connectors, connect the lamp wires. Red to Red, Black to Black. Once Crimped use heat gun to shrink tube.



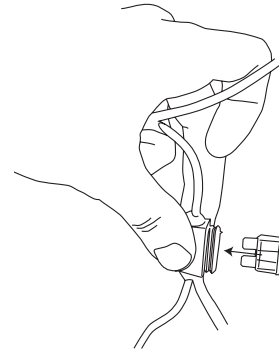
31

Close and wrap with conduit and electrical tape. Secure all loose wires with cable ties, with lamp wires pulled upward to avoid any wire snagging.



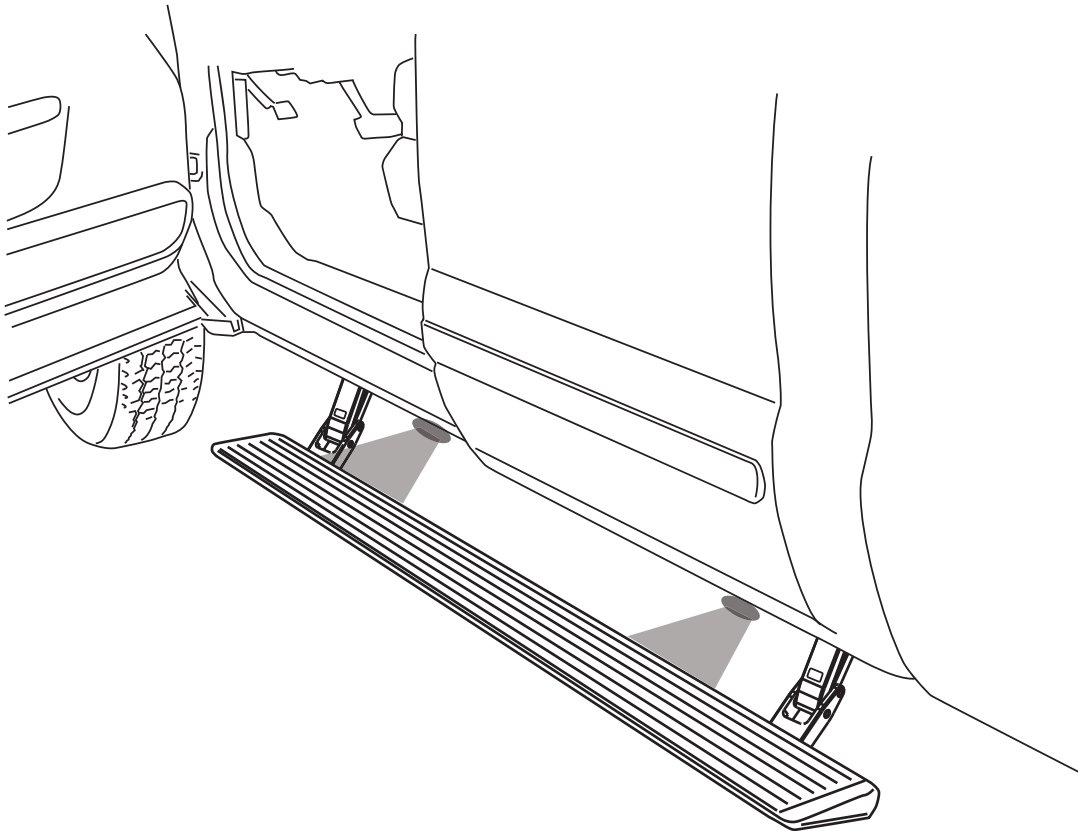
32

Reinstall the fuse.



33

Check that all doors activate the Power Step and the LED Lights work when doors open and close. Reinstall any remaining trim panels.



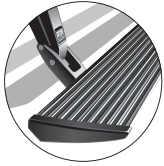
FINAL SYSTEM CHECK

Check that all doors activate the PowerStep and the LED lights work when doors open and close.

NORMAL OPERATION: When the doors open, PowerStep automatically deploys from under the vehicle. When the doors are closed, PowerStep will automatically return to the stowed/retracted position. **Note that there is a 2-second delay before the PowerStep returns to the stowed/retracted position.**

CORRECT OPERATION OF LIGHTS: All four lamps will illuminate upon opening any door of vehicle. Lamps will stay on until restowing of both Power Steps or until 5 minutes has expired with the doors open. When the lights timeout after 5 minutes, they can be reilluminated by closing and opening any door of vehicle.

POWER-DEPLOYABLE RUNNING BOARDS OPERATION: AMP Research PowerStep running boards automatically move when the doors are opened to assist entering and exiting the vehicle.



Automatic power deploy:

The running boards will extend down and out when the doors are opened.

Automatic power stow:

The running boards will return to the stowed position when the doors are closed. There will be a 2-second delay before the running boards move to the stowed position.

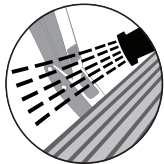
Automatic stop:

If an object is in the way of the moving running board, the running board will automatically stop. To reset, clear any obstruction, then simply open and close the door to resume normal operation.



Manually set in the deployed (OUT) position for access to the roof:

The running boards can be manually set in the deployed position by firmly holding the step down with your foot while at the same time closing the door. To resume normal operation, open and close the door.



Maintenance: In adverse conditions, debris such as mud, dirt, and salt may become trapped in the running board mechanism, possibly leading to unwanted noise. If this occurs, manually set the running boards to the deployed position and flush the front and rear hinge arms with a high-pressure car wash wand. Avoid spraying the motors directly. After washing, apply silicone spray lubricant to the hinge pivot pins. Do not apply silicone, wax or protectants like Armor All® to the running board stepping surface.

Caution! Keep hands away when the running board is in motion.

5-YEAR LIMITED WARRANTY

AMP RESEARCH warrants this product to be free from defects in material and workmanship for FIVE (5) YEARS FROM DATE OF PURCHASE, provided there has been normal use and proper maintenance. This warranty applies to the original purchaser only. All remedies under this warranty are limited to the repair replacement of the product itself, or the repair or replacement of any component part thereof, found by the factory to be defective within the time period specified. The decision to repair or replace is wholly within the discretion of the manufacturer.

This warranty specifically excludes labor. If you have a warranty claim, first you must call our factory at the number below for instructions. You must retain proof of purchase and submit a copy with any items returned for warranty work. Upon completion of warranty work, if any, we will return the repaired or replaced item or items to you freight prepaid. Damage to our products caused by accidents, fire, vandalism, negligence, misinstallation, misuse, Acts of God, or by defective parts not manufactured by us, is not covered under this warranty.

ANY IMPLIED WARRANTIES OF MERCHANTABILITY AND/OR FITNESS FOR A PARTICULAR PURPOSE CREATED HEREBY ARE LIMITED IN DURATION TO THE SAME DURATION AND SCOPE AS THE EXPRESS WRITTEN WARRANTY. OUR COMPANY SHALL NOT BE LIABLE FOR ANY INCIDENTAL OR CONSEQUENTIAL DAMAGE.

Some states do not allow limitations on how long an implied warranty lasts, or the exclusion or limitation of incidental or consequential damages, so the above limitations or exclusions may not apply to you. This warranty gives you specific legal rights, and you may also have other rights that vary from state to state.

FOR WARRANTY ISSUES WITH THIS PRODUCT PLEASE CALL AMP RESEARCH CUSTOMER SERVICE 1-888-983-2204

WARNING

Be sure to read and precisely follow the provided instructions when installing this product. Failure to do so could place the vehicle occupants in a potentially dangerous situation. After installing or reinstalling, re-check to insure that the product is properly installed.



The material that your product is made from can be recycled. Please also consider recycling the packaging that your product came in.



WIRING GUIDE

Ford Super Duty (2002 - 2003)

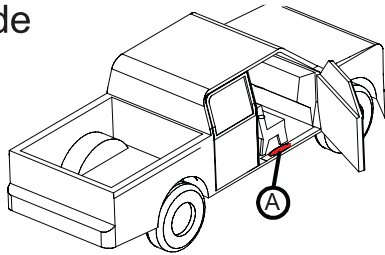
Without remote keyless entry

 Posi-Tap™ connector

 Additional Connecting Wire (Red - 18 Ga)

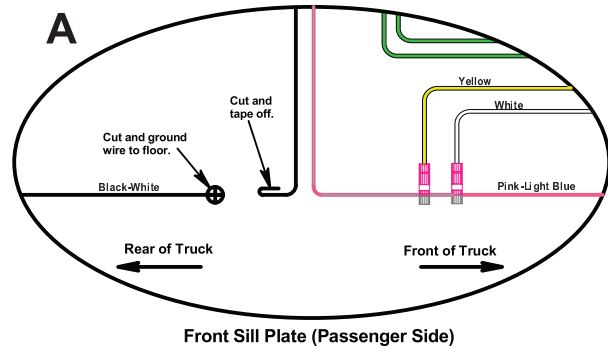
 Butt Connector

Passenger-side wiring



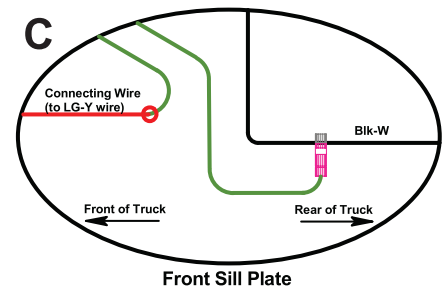
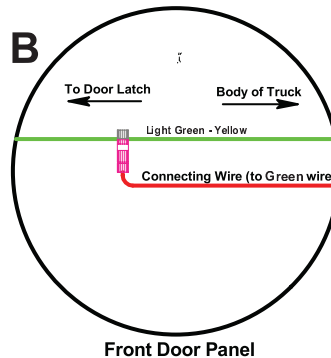
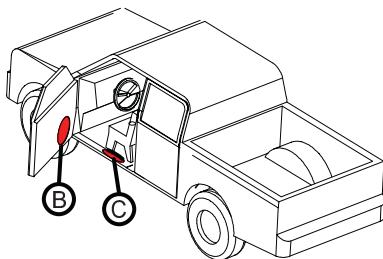
PASSENGER SIDE WIRING

1. Remove front sill plate of passenger side, lift carpet and pull the four Powerstep trigger wires through drilled hole and rubber grommet.
2. Using supplied Posi-Tap connectors, splice both passenger side trigger wires, yellow and white, to the front door-ajar wire (pink with a light blue stripe). This wire will be located forward of the junction where the wires route under the passenger front seat.
4. Locate the ground wire for the rear door-ajar (black with a white stripe). This wire will be located rear of the junction where the wires route under the passenger from seat.



5. Cut this wire (black with white stripe) and ground the one end as shown above to the vehicle's ground (suggestion: use a ring terminal and sheet metal screw or extend wire to a grounded terminal). **TAPE OFF THE OTHER CUT END OF WIRE... THIS END CANNOT BE SHORTED TO GROUND.**
6. Lift floor carpet and route two green wires over to the driver side sill plate. Sill plate at driverside door will need to be removed and two wires will need to be extended.

Driver-side wiring



DRIVER SIDE WIRING

1. Remove driverside sill plate and kick panel, then access green wires that were extended and routed from passenger side.
2. Remove door panel, access a bundle of wires below and to the left of speaker (Area-A). Open bundle and locate 18Ga. door-ajar wire (light green with yellow stripe).
3. Using supplied Posi-Tap connector, route one of the extended green trigger wires into the door panel and splice into door-wire found in the previous step.
4. Secure any loose wires and close door panel.
5. Locate rear door-ajar wire (black with white stripe). It will be located in the wire bundle just rear of the junction where part of the wire bundle routes under the front seat.
6. Using supplied Posi-Tap connector, connect remaining green wire to located door-ajar wire (black with white stripe).
7. Secure any remaining loose wires on both side of the vehicle and reinstall sill panels and kick panel.

Notes:

1. All of the signal wires we tap into will be 18Ga. Do not tap into anything with a thicker gage than this.
2. Make sure you secure all wires after install. Loose wires can be damaged and may cause a failure in the Powerstep's function.