

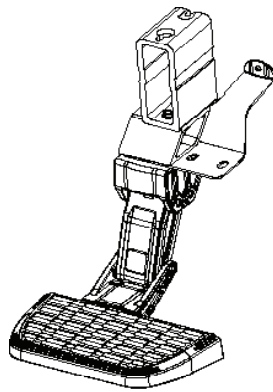
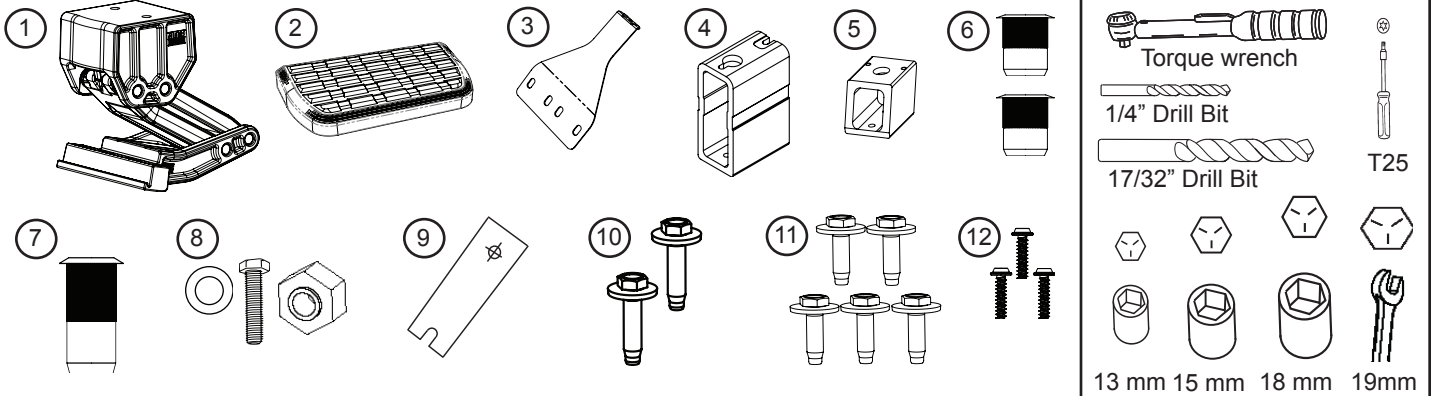
Chevy Silverado / GMC Sierra

1500

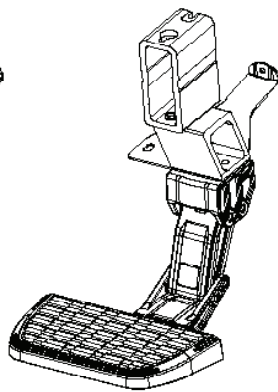
2014 - 2018 (all Beds)

2500/3500

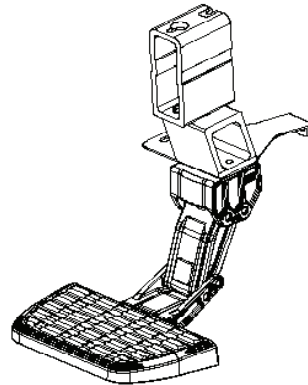
2015 - 2019 (all Beds)



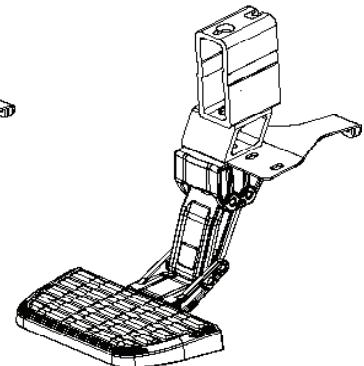
Drivers side Configuration  
all 5.5' Bed Lengths



Passenger side Configuration  
all 5.5' Bed Lengths



Drivers side Configuration  
all 6.5' & 8' Bed Lengths

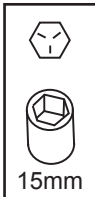
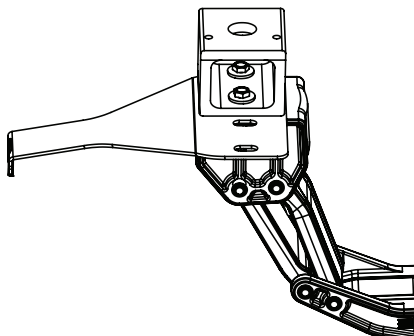


Passenger side Configuration  
all 6.5' & 8' Bed Lengths

1

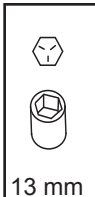
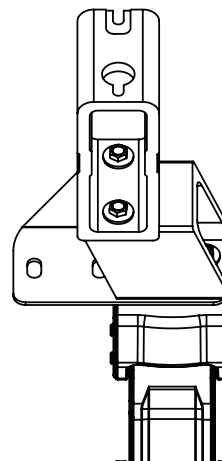
**Note: (5) may not have angle cut in part.**

Using a 15mm Socket assemble Lateral Mount onto Linkage Assembly with M10 Washer Hex Bolts. Steel Frame Bracket is to be assembled between Linkage Assembly and Lateral Mount. Do not tighten bolts yet. Driver's side configuration shown below. See Step 1 for passenger side configuration.



15mm

Using a 13mm Socket assemble Frame Mount onto Lateral Mount with M8 Washer Hex Bolts. Torque bolts to 16 ft-lbs.



13 mm

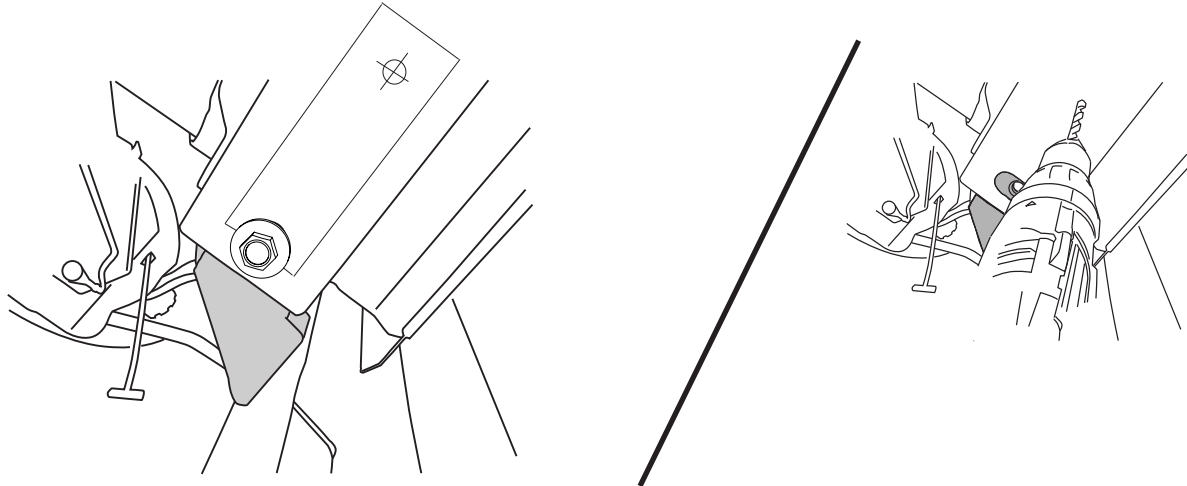
2

3

AMP RESEARCH TECH SUPPORT 1-888-983-2204 (Press 2) Monday - Friday, 6:00 AM - 5:00 PM PST

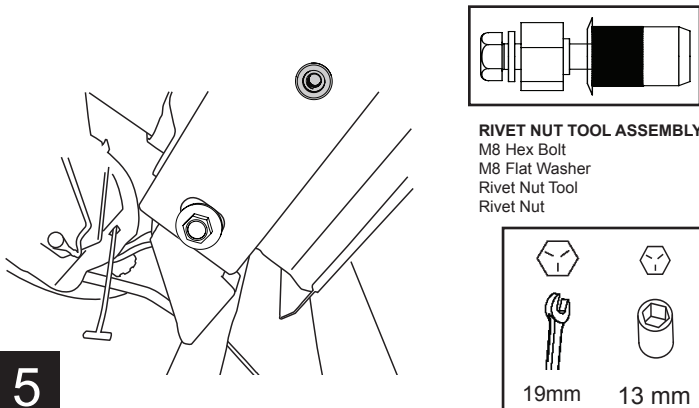
BedStep2™ is invented, designed, engineered and manufactured exclusively by AMP Research and may be covered by one of the following patents: 6,641,158; 6,830,257; 6,938,909; 7,055,839; 7,380,807; 7,398,985; 7,584,975. Made in USA © 2011 AMP Research  
Three-year limited warranty. Professional installation is recommended.

Using a 13mm socket, loosen M8 bolt from forward most bed channel on the underside of the truck. Loosen bolt to a gap of about 12mm (1/2"). Slide slotted end of the drill template over bolt and hold template in place with tape. Center punch hole and pre-drill using an 1/8" drill bit. Then drill to 17/32". Apply GM Vehicle Care Super Lube to drilled surface.



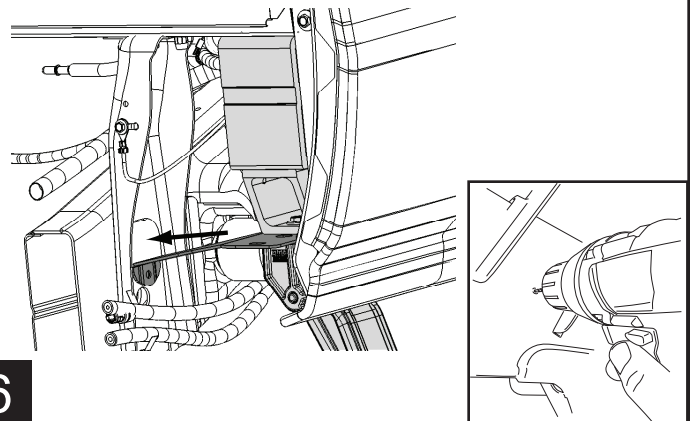
4

Install Rivet Nut onto bed channel. With Rivet nut tool held in place with 19mm wrench, tighten hex bolt until rivet nut deforms and secures itself to the sheet metal. Torque to 20 ft-lbs. Remove hex bolt and rivet nut tool. See Figure 5a for rivet nut tool assembly. Install M8 Washer Hex Bolt into Rivet Nut, leaving gap of about 12mm (1/2").



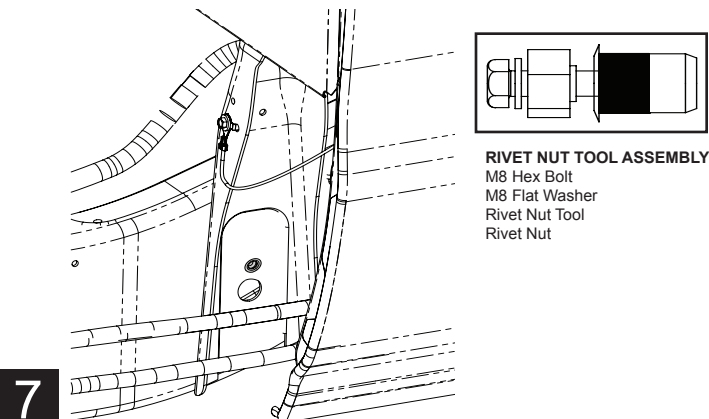
5

Lift Bedside Assist Step assembly into position, hooking Upper Mount onto installed bed channel bolts from Step 5. Snug bolts and slide Frame Bracket up to frame (in arrow direction) and mark hole location. Remove Step assembly, Center punch and pre-drill using a 1/8" drill bit. Then drill to 17/32".



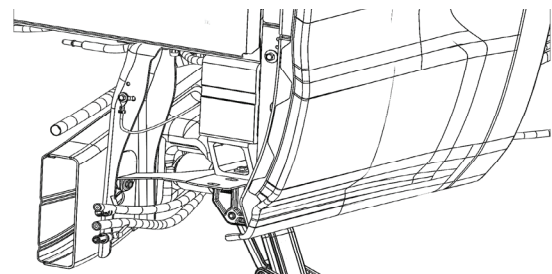
6

Install Rivet Nut onto frame rail just behind truck bed frame mount, just forward of rear wheel well. With Rivet nut tool held in place with 19mm wrench, tighten hex bolt until rivet nut deforms and secures itself to the sheet metal. Torque to 20 ft-lbs. Remove hex bolt and rivet nut tool. See Figure 7a for rivet nut tool assembly



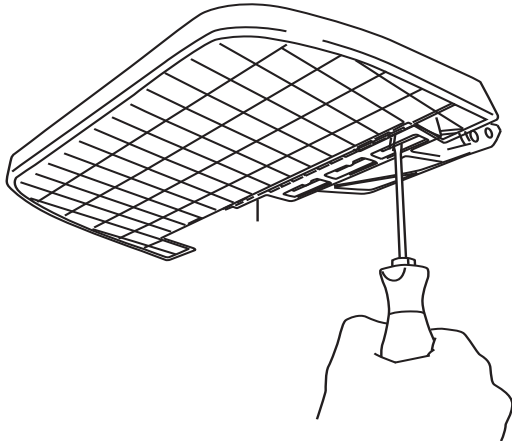
7

Lift Bedside Assist Step assembly into position, hooking Upper Mount onto installed bed channel bolts from Step 5. Install additional M8 Washer Hex Bolt through Frame Bracket and into Rivet Nut installed on frame rail. Straighten assembly and tighten bolts to 16 ft-lbs.



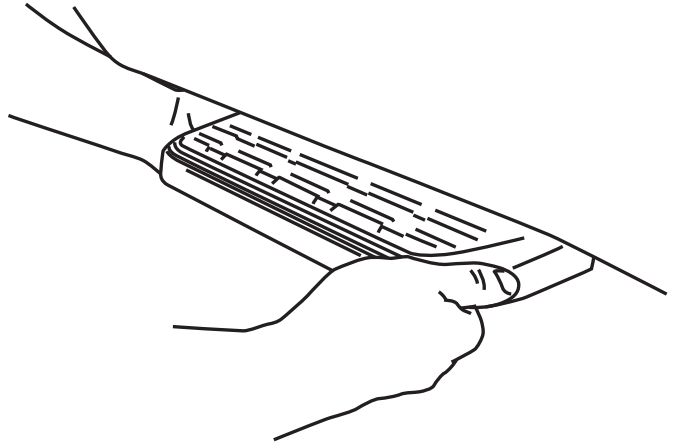
8

Place Step Pad on Linkage mounting interface. Mounting interface allows three positions, centered and offset to either side. Tighten all three screws to 5 ft-lbs. using T25 Torx Bit.



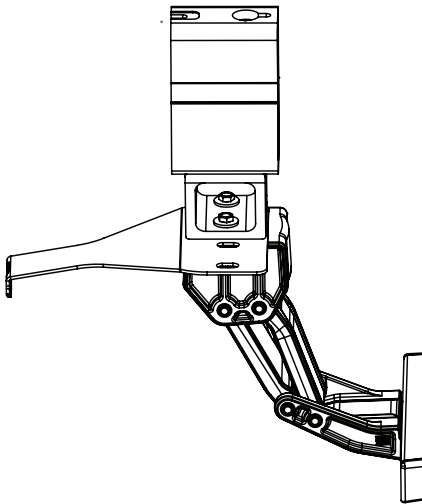
9

Adjust Step Pad to be in line with fender.



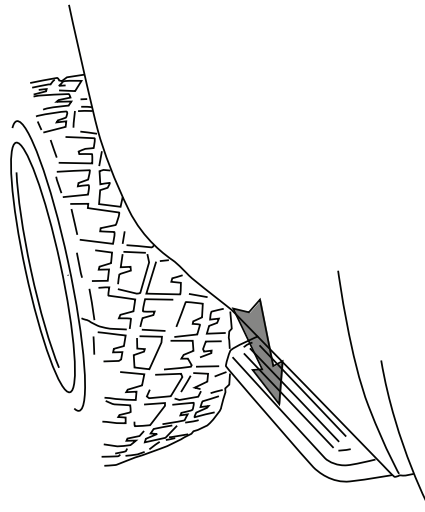
10

Tighten M10 Washer Hex Bolts using a 15mm Socket. Torque to 20 Ft-lbs.



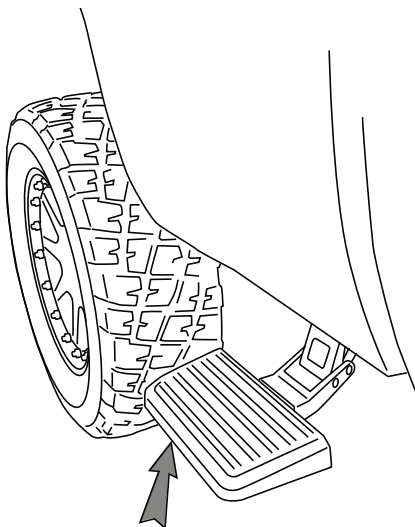
11

To deploy the step, press down using your foot on the outside edge of the step pad.



12

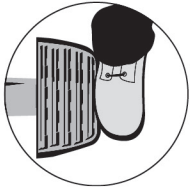
To retract, gently kick up on the underside of the step pad.



13



Congratulations on your purchase of the genuine AMP Research BedStep2™. Here's what you should know...



### BEDSTEP2™ OPERATION

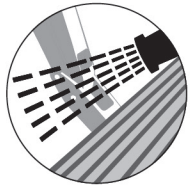
The AMP Research BedStep2™ is foot operated and deploys and retracts with a nudge of your foot. To deploy, press down using your foot, on the outside edge of the step pad.

Maximum load capacity of the deployed step pad is 300 lbs.

Always use appropriate hand holds when stepping up to or down from your truck's cargo bed.



To retract, gently kick up on the underside of the step pad.



**MAINTENANCE TIPS** - The stepping surface and linkage should be periodically washed with mild soap and water using a soft brush or sponge to dislodge any mud, dirt or accumulated road grime.

**In severe driving conditions, pressure washing the linkage is strongly recommended.**

Do not apply silicone spray, waxes or protectants like Armor All® to the stepping surfaces.

**CAUTION! BEDSTEP2™ SHOULD ALWAYS BE STOWED IN THE RETRACTED POSITION WHEN DRIVING.**

### AMP RESEARCH LIMITED WARRANTY

AMP RESEARCH warrants this product to be free from defects in material and workmanship for THREE (3) YEARS FROM DATE OF PURCHASE, provided there has been normal use and proper maintenance. This warranty applies to the original purchaser only. All remedies under this warranty are limited to the repair replacement of the product itself, or the repair or replacement of any component part thereof, found by the factory to be defective within the time period specified. The decision to repair or replace is wholly within the discretion of the manufacturer.

This warranty specifically excludes labor. If you have a warranty claim, first you must call our factory at the number below for instructions. You must retain proof of purchase and submit a copy with any items returned for warranty work. Upon completion of warranty work, if any, we will return the repaired or replaced item or items to you freight prepaid. Damage to our products caused by accidents, fire, vandalism, negligence, misinstallation, misuse, Acts of God, or by defective parts not manufactured by us, is not covered under this warranty.

ANY IMPLIED WARRANTIES OF MERCHANTABILITY AND/OR FITNESS FOR A PARTICULAR PURPOSE CREATED HEREBY ARE LIMITED IN DURATION TO THE SAME DURATION AND SCOPE AS THE EXPRESS WRITTEN WARRANTY. OUR COMPANY SHALL NOT BE LIABLE FOR ANY INCIDENTAL OR CONSEQUENTIAL DAMAGE.

Some states do not allow limitations on how long an implied warranty lasts, or the exclusion or limitation of incidental or consequential damages, so the above limitations or exclusions may not apply to you. This warranty gives you specific legal rights, and you may also have other rights that vary from state to state.

**FOR WARRANTY ISSUES WITH THIS PRODUCT PLEASE CALL AMP RESEARCH CUSTOMER SERVICE 1-888-983-2204**

### WARNING

Be sure to read and precisely follow the provided instructions when installing this product. Failure to do so could place the vehicle occupants in a potentially dangerous situation. After installing or reinstalling, re-check to insure that the product is properly installed.