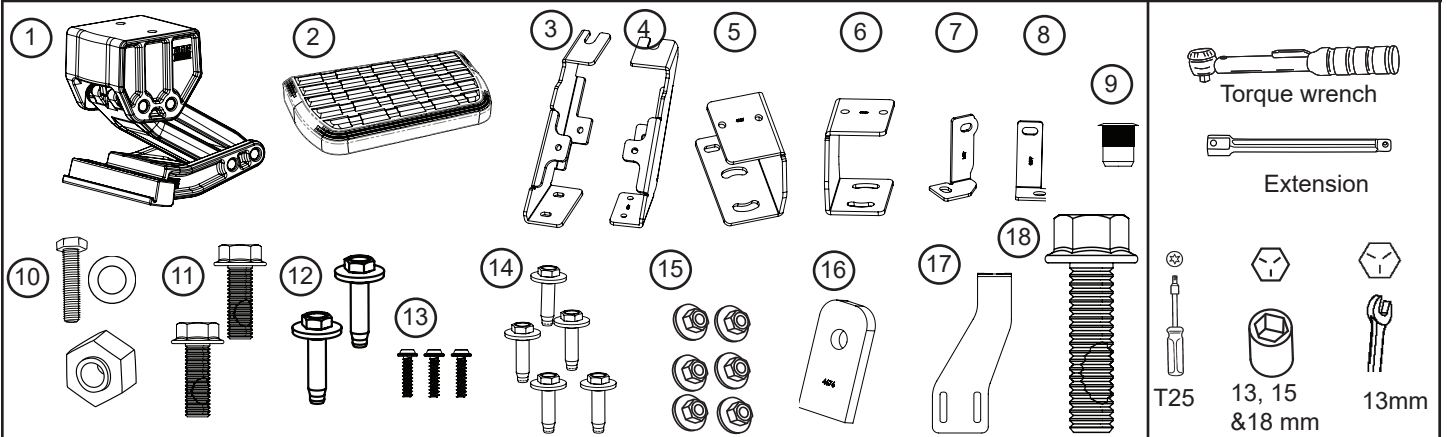


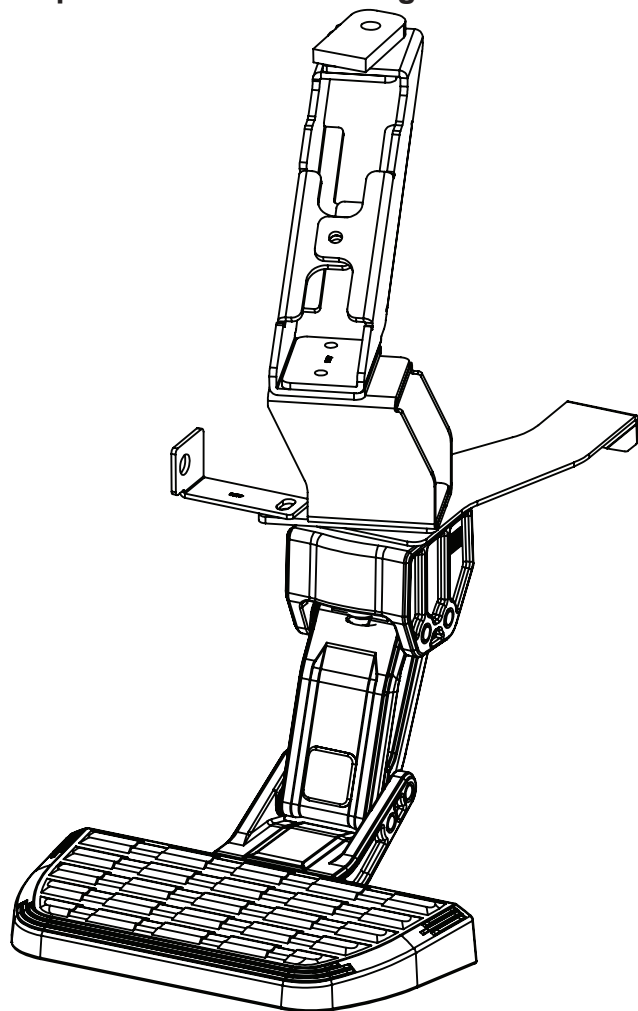
# AMP RESEARCH BedStep2™

**AMP PART 75418-01A**

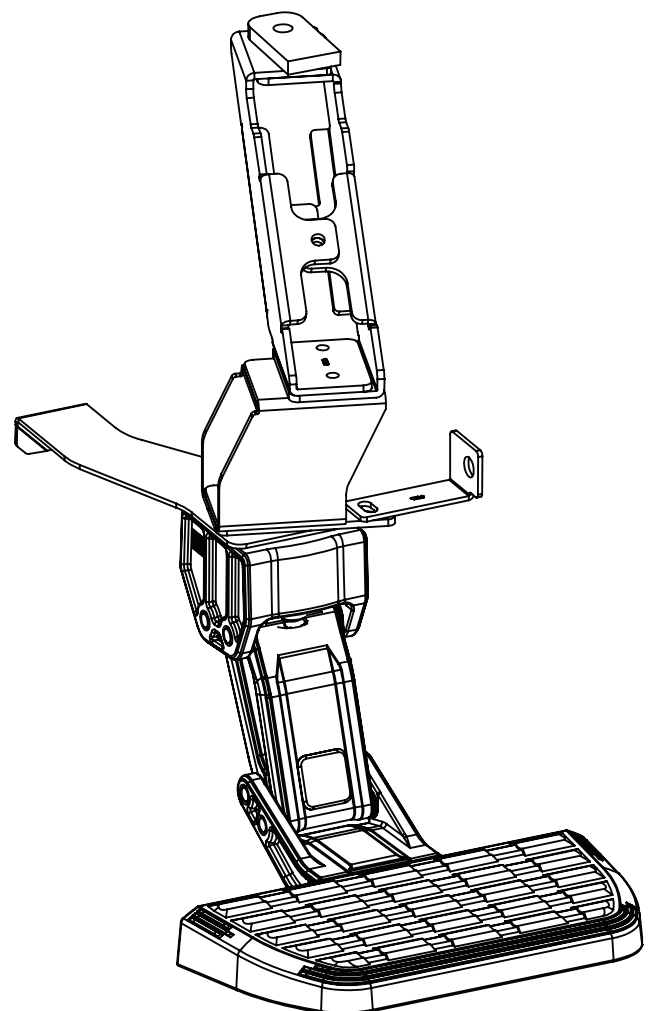
APPLICATION  
GM Silverado/Sierra 2500/3500HD  
2020



Components must be configured for Passenger or Drivers-Side as shown.



**Driver-Side Orientation**

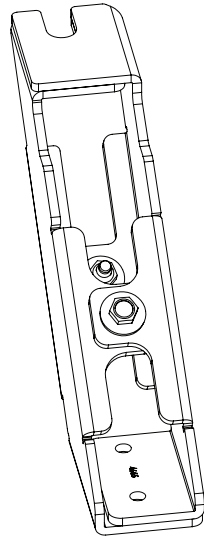


**Passenger-Side Orientation**

AMP RESEARCH TECH SUPPORT 1-888-983-2204 (Press 2) Monday - Friday, 6:00 AM - 5:00 PM PST

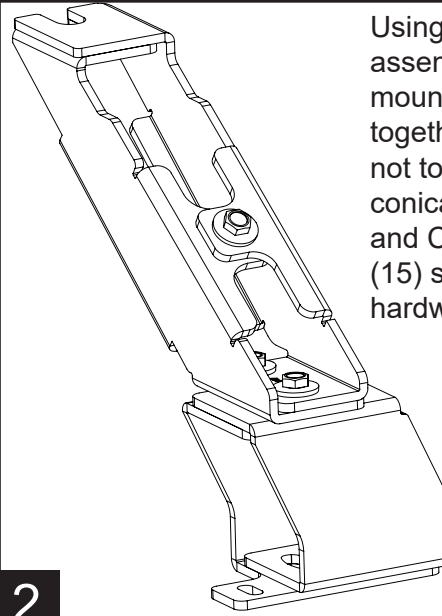
BedStep2™ is invented, designed, engineered and manufactured exclusively by AMP Research and may be covered by one of the following patents: 6,641,158; 6,830,257; 6,938,909; 7,055,839; 7,380,807; 7,398,985; 7,584,975. Made in USA © 2011 AMP Research  
Three-year limited warranty. Professional installation is recommended.

Using a 13 mm Socket assemble Frame mounting brackets together. Snug bolts do not torque. use supplied conical washer bolts (14) and Conical Washer nuts (15) supplied.



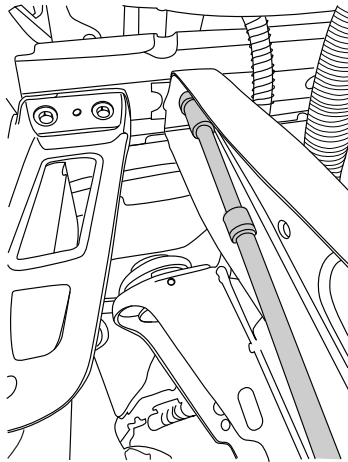
1

Using a 13 mm Socket assemble Lateral mounting brackets together. Snug bolts do not torque. use supplied conical washer bolts (12) and Conical Washer nuts (15) supplied. Torque all hardware to 16ft-lbs.



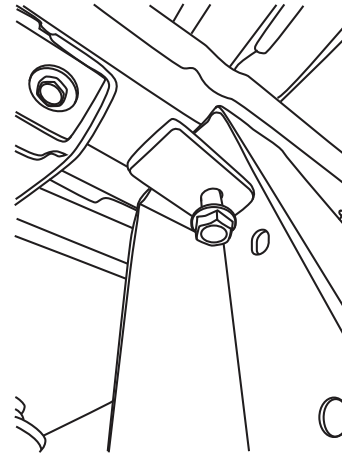
2

Locate front bed mounting point. Remove bed bolt.



3

Use supplied bolt (18) and Spacer(16). Start threads to hold bolt and spacer into position.



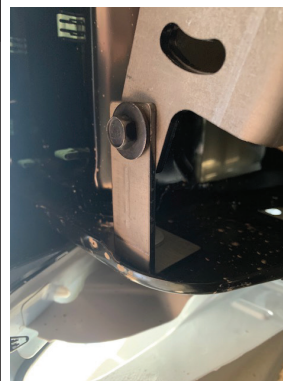
4

Slide assembly into position and snug bolt so frame mount assembly is snug to bed mount.



5

install support brackets as shown below. Driver side (8) and passenger side(7) specific brackets are made. Discard extra bracket after install. Use supplied M8 conical washer bolts (14) and conical washer nuts. (15)

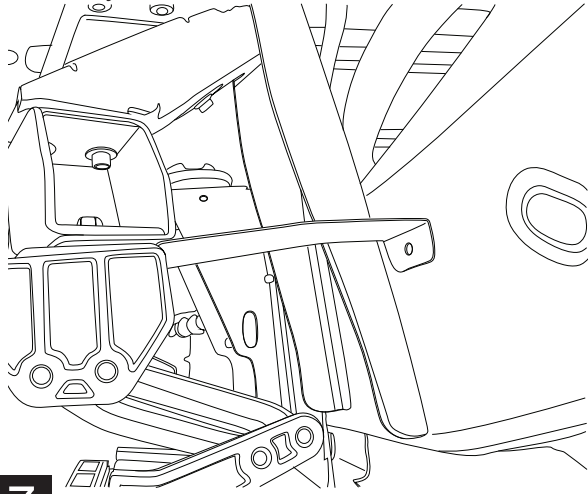


6

DRIVER SIDE

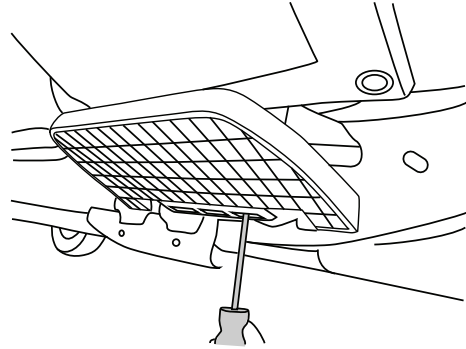
PASSENGER SIDE

Set Support bracket and linkage into position. Tighten bolts to allow bracket to set in position on frame. Use hole and mark frame for rivet nut location. Remove linkage assembly and pre drill using an 1/8" drill bit. Then drill to 17/32". Install rivet nut with provided steps included in rivet nut package. Reinstall linkage assembly.

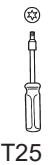


7

Center step pad on lower mount and secure using provided PT Screws. Tighten to 5ft-lbs using a T25 Torx bit. Verify Step pad alignment to body line of vehicle. Once step pad is in line to vehicle torque all bracket hardware to 16ft-lbs. Torque bed bolt to 75 ft-lbs.



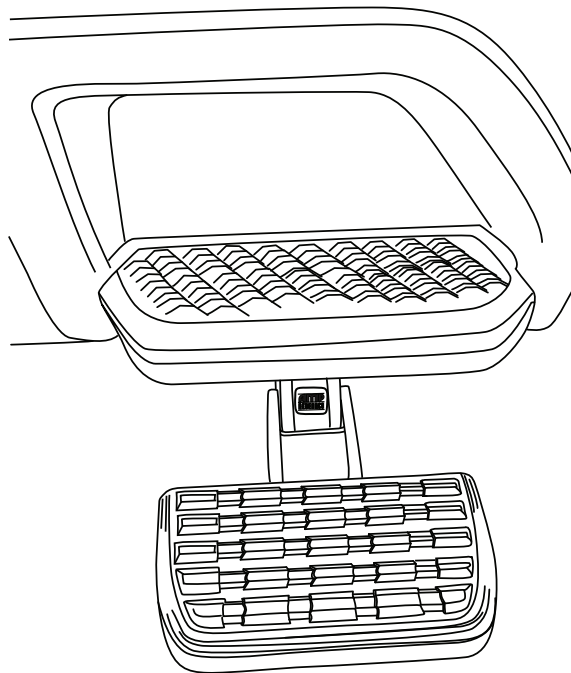
8



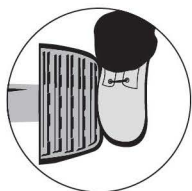
T25

To deploy the step, press down using your foot on the outside edge of the step pad.

To retract, gently kick up on the underside of the step pad.



9

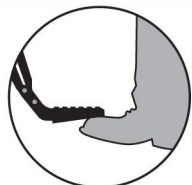


## BEDSTEP2™ OPERATION

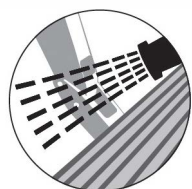
The AMP Research BedStep2™ is foot operated and deploys and retracts with a nudge of your foot. To deploy, press down using your foot, on the outside edge of the step pad.

Maximum load capacity of the deployed step pad is 300 lbs.

Always use appropriate hand holds when stepping up to or down from your truck's cargo bed.



To retract, gently kick up on the underside of the step pad.



**MAINTENANCE TIPS** - The stepping surface and linkage should be periodically washed with mild soap and water using a soft brush or sponge to dislodge any mud, dirt or accumulated road grime.

**In severe driving conditions, pressure washing the linkage is strongly recommended.**

Do not apply silicone spray, waxes or protectants like Armor All® to the stepping surfaces.

**CAUTION! BEDSTEP2™ SHOULD ALWAYS BE STOWED IN THE RETRACTED POSITION WHEN DRIVING.**

## AMP RESEARCH LIMITED WARRANTY

AMP RESEARCH warrants this product to be free from defects in material and workmanship for THREE (3) YEARS FROM DATE OF PURCHASE, provided there has been normal use and proper maintenance. This warranty applies to the original purchaser only. All remedies under this warranty are limited to the repair replacement of the product itself, or the repair or replacement of any component part thereof, found by the factory to be defective within the time period specified. The decision to repair or replace is wholly within the discretion of the manufacturer.

This warranty specifically excludes labor. If you have a warranty claim, first you must call our factory at the number below for instructions. You must retain proof of purchase and submit a copy with any items returned for warranty work. Upon completion of warranty work, if any, we will return the repaired or replaced item or items to you freight prepaid. Damage to our products caused by accidents, fire, vandalism, negligence, misinstallation, misuse, Acts of God, or by defective parts not manufactured by us, is not covered under this warranty.

ANY IMPLIED WARRANTIES OF MERCHANTABILITY AND/OR FITNESS FOR A PARTICULAR PURPOSE CREATED HEREBY ARE LIMITED IN DURATION TO THE SAME DURATION AND SCOPE AS THE EXPRESS WRITTEN WARRANTY. OUR COMPANY SHALL NOT BE LIABLE FOR ANY INCIDENTAL OR CONSEQUENTIAL DAMAGE.

Some states do not allow limitations on how long an implied warranty lasts, or the exclusion or limitation of incidental or consequential damages, so the above limitations or exclusions may not apply to you. This warranty gives you specific legal rights, and you may also have other rights that vary from state to state.

## WARNING

Be sure to read and precisely follow the provided instructions when installing this product. Failure to do so could place the vehicle occupants in a potentially dangerous situation. After installing or reinstalling, re-check to insure that the product is properly installed.