



STEP 1 - READ INSTRUCTIONS COMPLETELY BEFORE ATTEMPTING INSTALLATION.

A) Bushwacker® only approves installing the trail armor according to these written instructions with the hardware provided. **WARNING:** Failure to install according to these instructions will invalidate the warranty. This includes, but is not limited to using alternative installation methods, hardware, or materials. **DO NOT USE:** Loctite, SuperGlue, or similar products on the hardware or the trail armor.

NOTE: *Ambient temperature and part temperature must be at least 60°F (16°C) for proper adhesion.*

B) Fit: Verify the fit of the trail armor to vehicle. (Some filing, sanding, or cutting may be necessary to ensure proper fit).

C) Painting: (Optional) if paint is desired it must be done prior to installing trail armor on the vehicle. Clean outer surface with a good grade degreaser. **DO NOT USE LACQUER THINNER OR ENAMEL REDUCER AS A DEGREASER.** Wipe outer surface thoroughly with a tack rag prior to paint. Application of plastic adhesion promoter for TPO plastic as per your paint system manufacturer's recommendations is required. Paint trail armor using a high quality enamel, or polyurethane automotive paint.

D) Exhaust System: Modifications may be necessary to maintain a minimum 4" clearance between trail armor and exhaust pipes. (Exhaust gases should not vent directly onto trail armor)

E) Metal Protection: All exposed fasteners and bare metal should be treated with rust resistant paint **BEFORE** installing trail armor.

F) Decals: Trail Armor may interfere with existing decals on vehicle. If you wish, remove decals prior to installation of trail armor.

2021+ Ford F150 Trail Armor® Rocker Panel & Sill Plate Combo Set

Set Part #14097
14125

BW14097 Rev-0 09-10-2020

TOOLS FOR EASY INSTALLATION:

- Cleaning Cloth



The material that your product is made from can be recycled. Please also consider recycling the packaging that your product came in.



LIMITED LIFETIME WARRANTY AGAINST ANY MANUFACTURING DEFECTS

- To claim a warranty, you must provide Proof of Purchase.

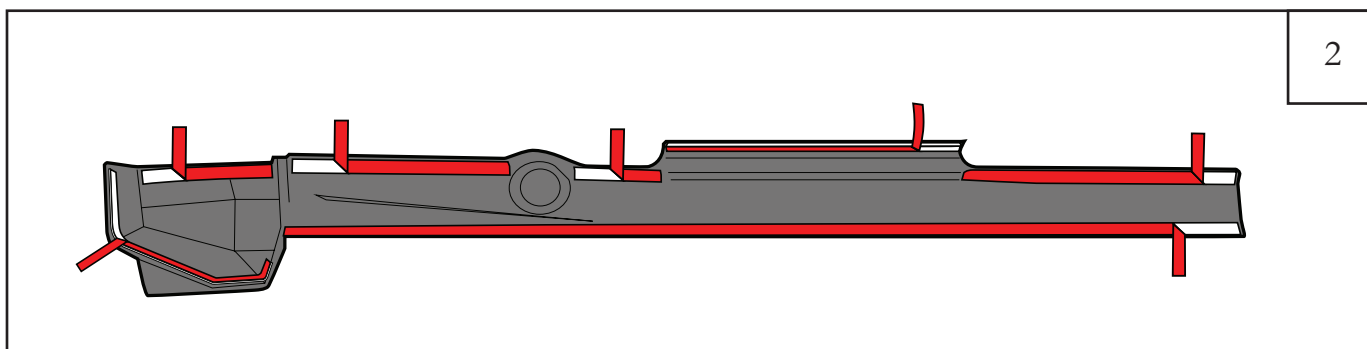
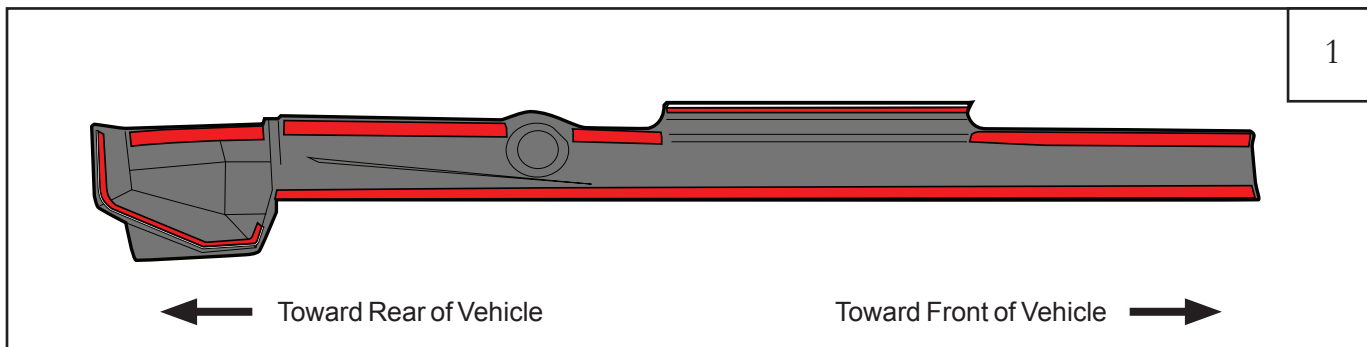
Included in Hardware Kit:

1.



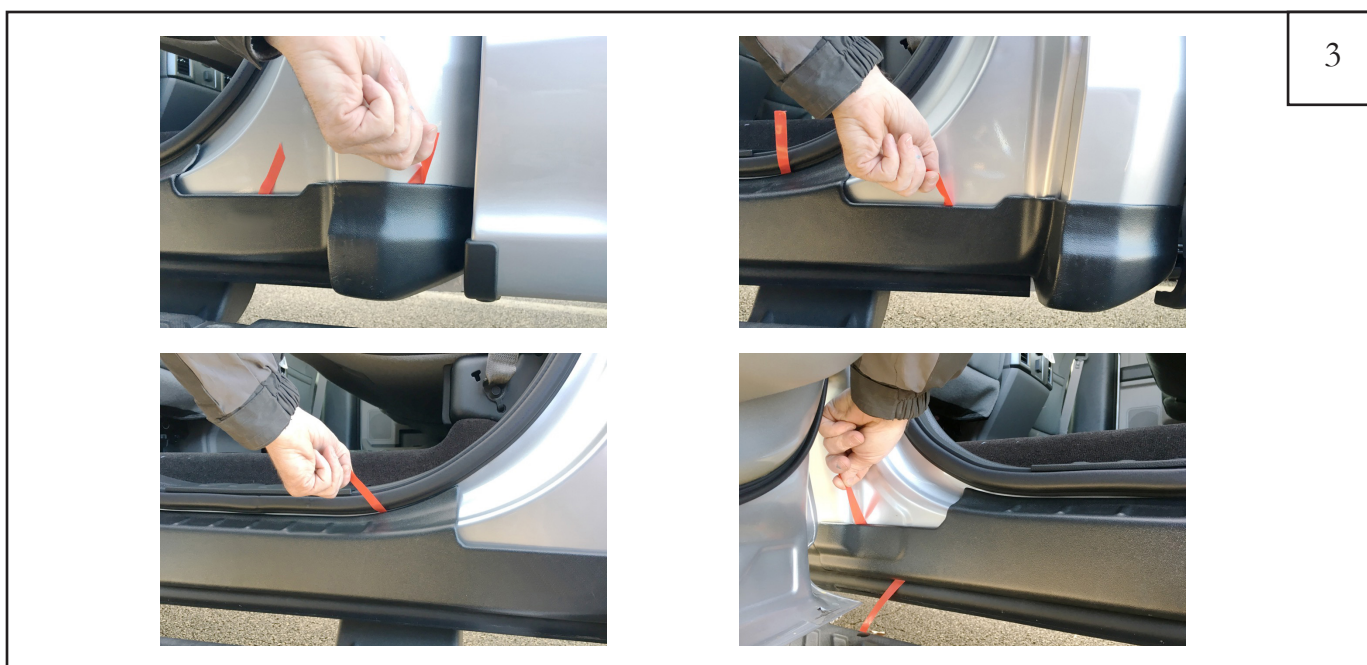
ALCOHOL
PREP
PAD
8 pcs.

Rear Side Panel Installation Procedure (Driver's Side)



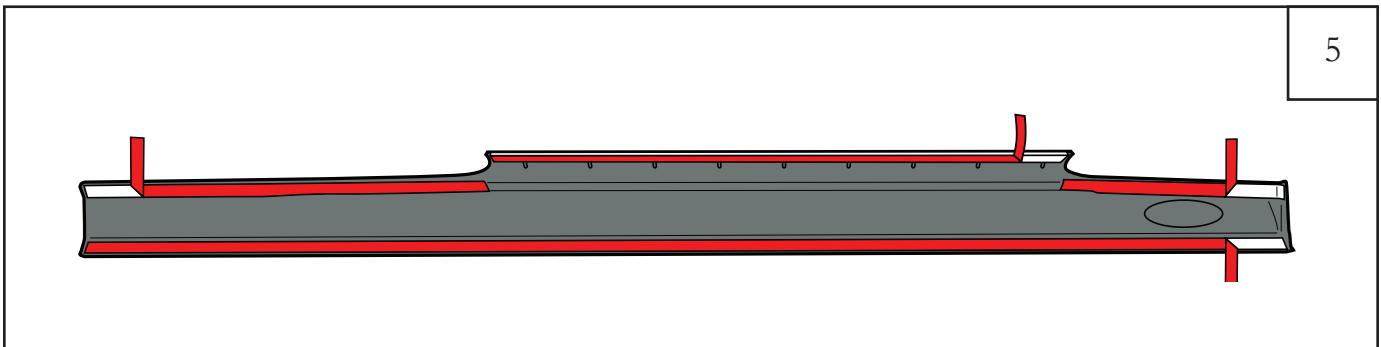
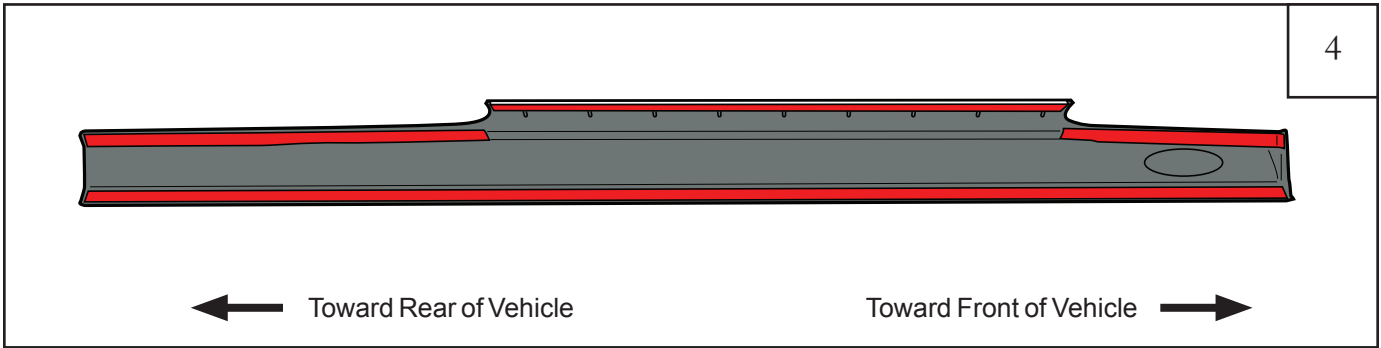
Open vehicle doors. Clean all dirt and debris from vehicle door sills and rocker panel. Use supplied alcohol wipes where part will attach.

Peel back roughly 3" of red tape liner from the pieces of tape on the back side of rear part. Make sure red tape liner will be accessible when part is attached to truck.

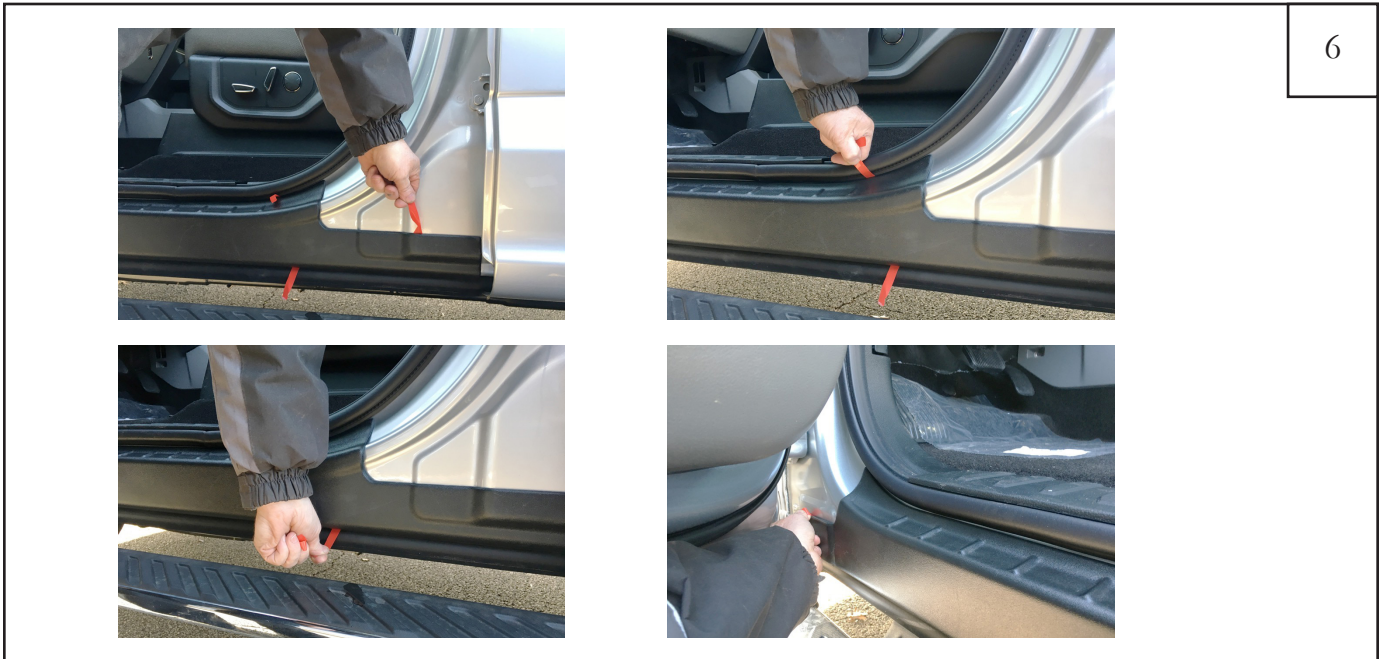


Set part in place on vehicle. Remove all red tape liners. Apply **FIRM** pressure to mounting locations to affix to truck.

Front Side Panel Installation Procedure (Driver's Side)



Peel back roughly 3" of red tape liner from the pieces of tape on the back side of rear part. Make sure red tape liner will be accessible when part is attached to truck. Tape layout may be different on Crew Cab part.



Set part in place on vehicle. Remove all red tape liners. Apply **FIRM** pressure to mounting locations to affix to truck.

Repeat steps 1-6 for passenger side of truck