



n-fab.com

a TRUCK HERO company



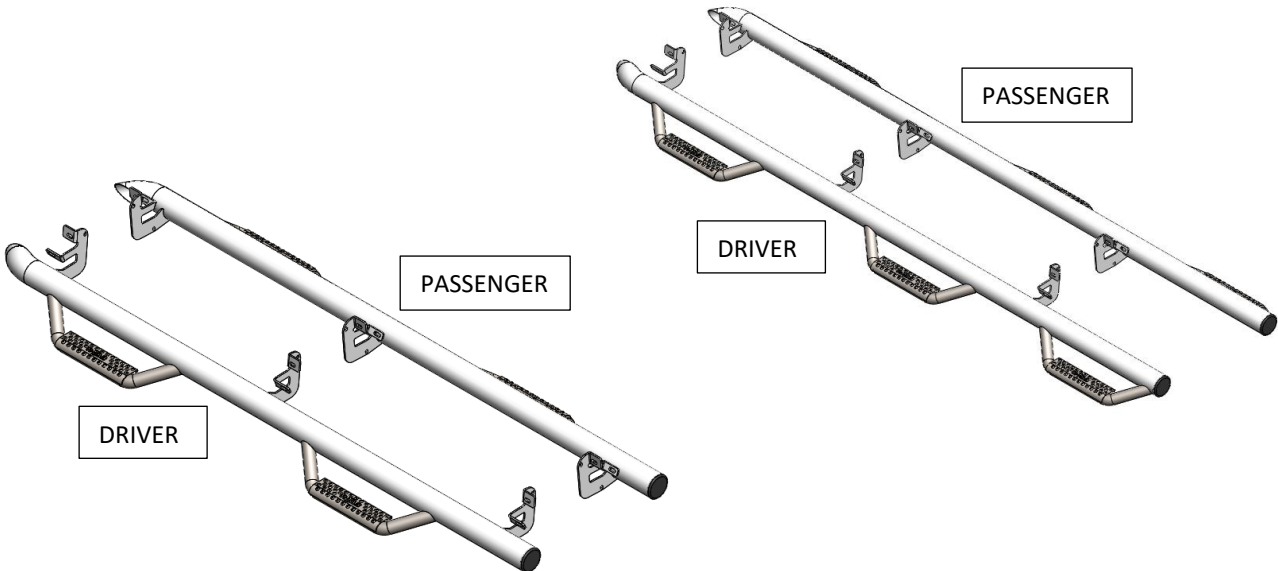
I-SHEET PART NUMBER: INST-000146  
 PART NUMBER: D2080CC , D20100CC-6  
 PRODUCT: HOOP STEP  
 APPLICATION: 19-20 RAM 2500/3500 CREW CAB

HWKT-05354X		
HARDWARE DESCRIPTION		QTY.
HHCS-00568X	3/8" -16X1" HEX CAP SCREW	6
FLTW-00663X	3/8" USS FLAT WASHER	6
CLIP-00647X	3/8" -16X1 3/4" BARREL NUT CLIP	6
FLHB-00797X	M8-1.25X25MM SERRATED FLANGED BOLT	6
FLNT-00696X	M8-1.25 FLANGED NUT	6

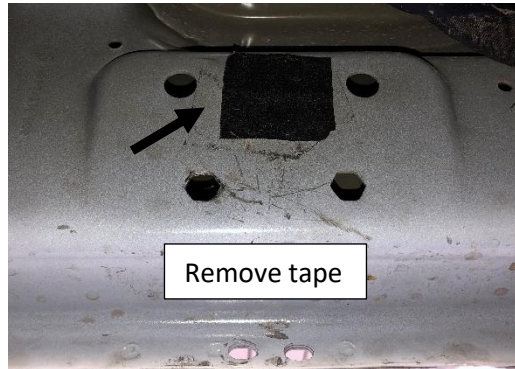


PARTS INCLUDED	QTY
Driver side step	1
Passenger side step	1

Step 1: Identify driver side step.



**Step 2:** Remove any factory running boards or steps and discard.  
**Step 3:** Next, locate the mounting holes underneath the body and remove the factory tape from the three locations.



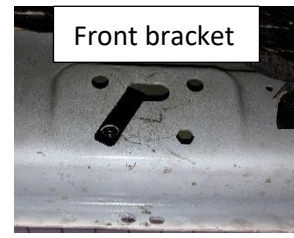
**Step 4:** Insert the supplied threaded U- clips in each mounting location.



Rear bracket



Center bracket



Front bracket

U-clip positioning. **NOTE: Clips will also face forward for passenger side.**

**Step 5:** If installing the bed access step prt# D20100CC-6, you have the option of removing the plastic bed molding. If so, proceed before moving to step 6.



**Step 6:** Carefully place step into position and start the upper 3/8"X1" hex bolt and 3/8" flat washer in the center bracket and hand tighten to hold in place. Next, install the remainder 3/8"x1" hex bolts and 3/8" washer in the front and rear brackets and leave loose for now.



**Step 7:** Insert the black zinc M8 flanged bolts and flanged nuts in the pinch weld holes and leave loose for now.



**Step 8:** Begin tightening the lower attachment points starting with the rear bracket working your way up to the front bracket. ( 20ft/lbs )

**Step 9:** Finish by tightening the upper attachments points from front to back. ( 20ft/lbs )



**Step 10:** Repeat steps 2-9 for passenger side. Your install is now