



n-fab.com

a TRUCK HERO  
company

mfabinc f t

PART NUMBER: EXT07CC-TX, EXT07QC-TX  
 PRODUCT: EPYX HOOP STEP  
 APPLICATION: 07-14 TUNDRA CREW CAB/ QUAD CAB

# EPYX

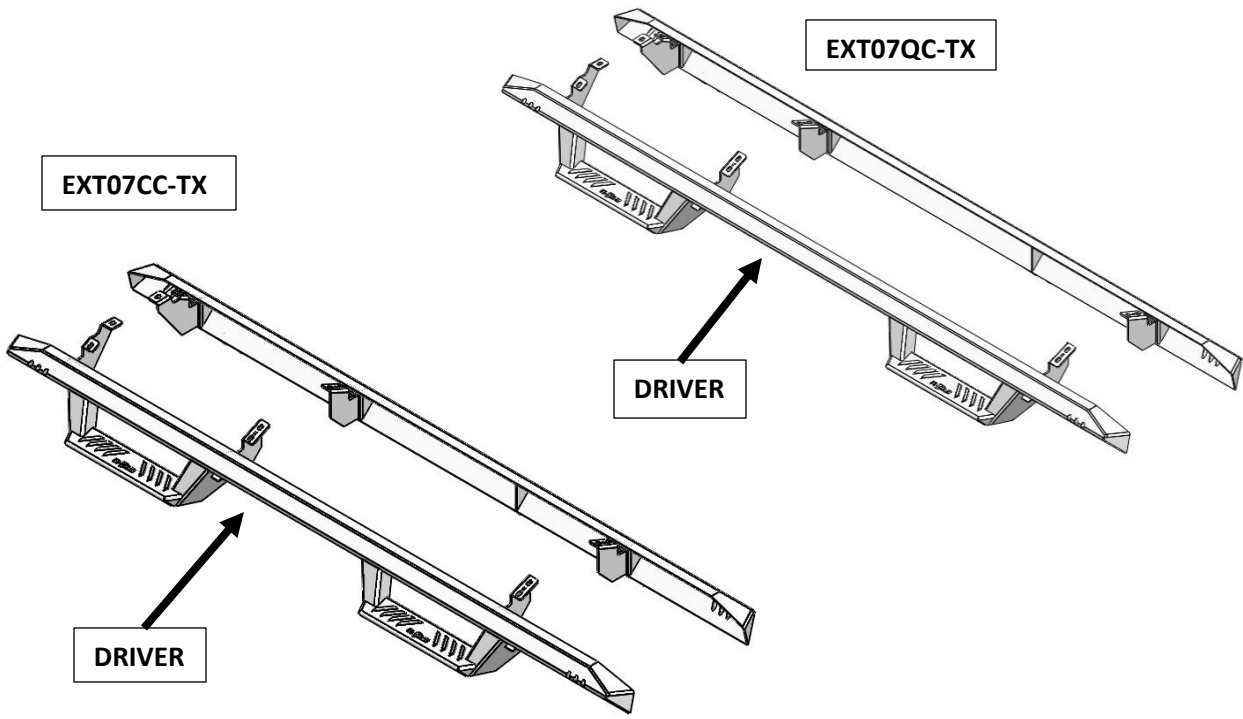


PARTS INCLUDED	QTY
Step Rail	2
Rocker Panel mounting Brackets	6

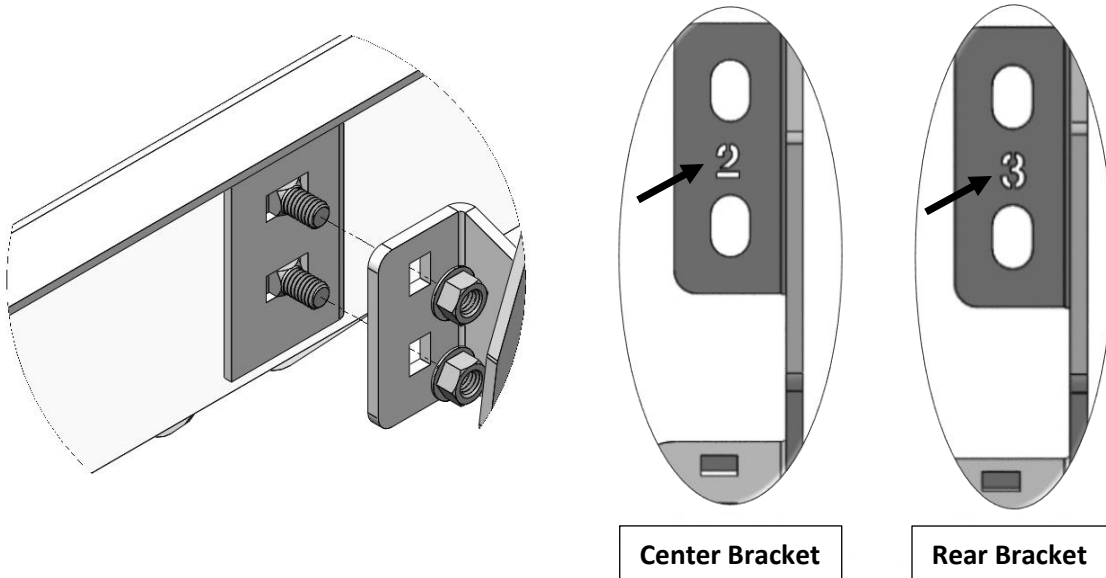
HARDWARE DESCRIPTION	QTY.
# HWKT-00036X	
M8X30mm Hex cap with washer	12
3/8" Flanged nuts	12
3/8" x 3/4" carriage bolts	12

**DO NOT USE IMPACT TOOLS**

**Step 1:** Locate the driver side step rail.



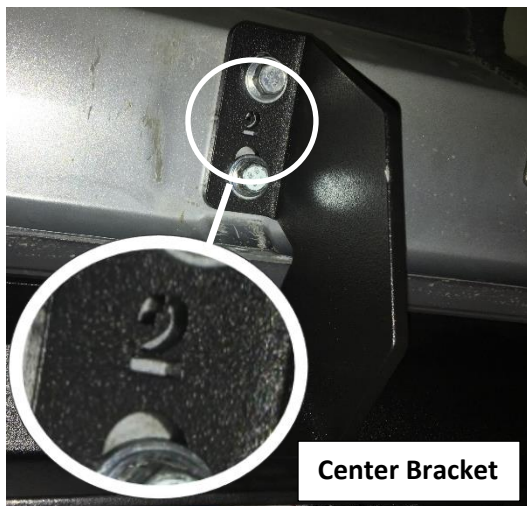
**Step 2:** Install three rocker panel brackets to the attachments points located on the backside of the channel using the supplied 3/8" x 3/4" carriage bolts and 3/8" flanged nuts. Leave finger tight for now.  
**NOTE: THE CENTER BRACKET AND REAR BRACKET WILL BE MARKED WITH A # 2 & #3**



**Step 3:** Remove any factory hardware and discard.

**Step 4:** Beginning with the driver side, carefully raise the step rail up and match the brackets with the factory mounting locations. Next, starting with the center bracket and using the supplied M8X30mm Hex cap with washer, start and leave loose.

**Step 5:** Start the remaining hardware with the front and rear bracket and leave loose.



**Step 6:** Next, adjust the step assembly up/down and front/back to level out the step rail with body panel and then tighten step to brackets at 30 ft. /lbs.



**Step 7:** After final adjustment, torque each bolt to 17 ft/lb – 20 ft/lb.

**Step 8:** Repeat steps 1-4 with passenger side step. This concludes the installation.

