



# Installation Instructions

## Vengeance Light Mesh

For the Vengeance Front Bumper Line

### SAFETY

**Your safety and the safety of others is very important.**

- In order to help you make informed decisions about safety, we have provided installation instructions and other information.
- These instructions alert you to potential hazards that could hurt you or others.
- Please do a job safety analysis (JSA) before each task to identify potential hazards for your situation and remove/protect against them.
- You must use your own good judgment, and take your time.

**Read and understand all safety precautions and instructions before installing this product.**

THIS PRODUCT IS FOR OFFROAD USE ONLY. ALL LIABILITY FOR INSTALLATION AND USE RESTS WITH THE OWNER.

**CARELESS INSTALLATION AND OPERATION CAN RESULT IN SERIOUS INJURY OR EQUIPMENT DAMAGE.**

### Injury hazard

**Failure to observe these instructions could lead to severe injury or death.**

- Always** remove jewelry and wear eye protection.
- Always** use extreme caution when jacking up a vehicle for work. Set emergency brake and use tire blocks. Locate and use the vehicle manufacturers designated lifting points. Use jack stands.
- Always** use appropriate and adequate care in lifting components into place.
- Always** insure components will remain secure during installation and operation.
- Always** wear safety glasses when installing this kit. A drilling operation will cause flying metal chips. Flying chips can cause serious eye injury.
- Always** use extreme caution when drilling on a vehicle. Thoroughly inspect the area to be drilled (on both sides of material) prior to drilling, and relocate any objects that may be damaged.
- Always** use extreme caution when cutting and trimming during fitting.
- Always** tighten all nuts and bolts securely per installation instructions.
- Always** route electrical cables carefully. Avoid moving parts, components that become hot and rough or sharp edges.
- Always** insulate and protect all exposed wiring and electrical terminals.
- Always** perform regular inspections and maintenance on mounts and related hardware.





# Installation Instructions

## Vengeance Light Mesh For the Vengeance Front Bumper Line

### Overview

Congratulations on your new purchase of the Vengeance Mesh Cover Accessory.

Your license plate bracket was designed in 3-D from digitized data, CNC laser cut, fabricated, and powder coated... all in the U.S.A. Enjoy the fit and finish of a quality Vengeance front bumper and Mesh Cover from Fab Fours, Inc.

**WARNING:** This product was designed to be used with Fab Fours Vengeance front bumpers ONLY.

### I. Tools Required

- ½" Wrench or socket
- Socket wrench
- 3/16" Allen Wrench

### II. Mesh Cover Installation

**Note:** There are two different types of mounting methods used for Vengeance grill mesh. One method uses the lighting mounting slots on the top of the light box. The other method uses the same mounting points as what the light box uses to tighten to the shell of the bumper. Both methods are detailed below, and example images shown on the next page.

**Note:** the images below may not look exactly like your product as this manual is a general grill mesh manual

1. Using the provided 5/16" hardware, attach the Mesh Cover using the provided holes in the light cutouts of the bumper. Adjust so that the mesh is aligned with the cutout
2. Remove the two bolts from the light box that are used to secure the grill mesh to the back of the light box. Layer the mesh to the back of the box and reinstall the appropriate hardware previously removed.





# Installation Instructions

## Vengeance Light Mesh

For the Vengeance Front Bumper Line

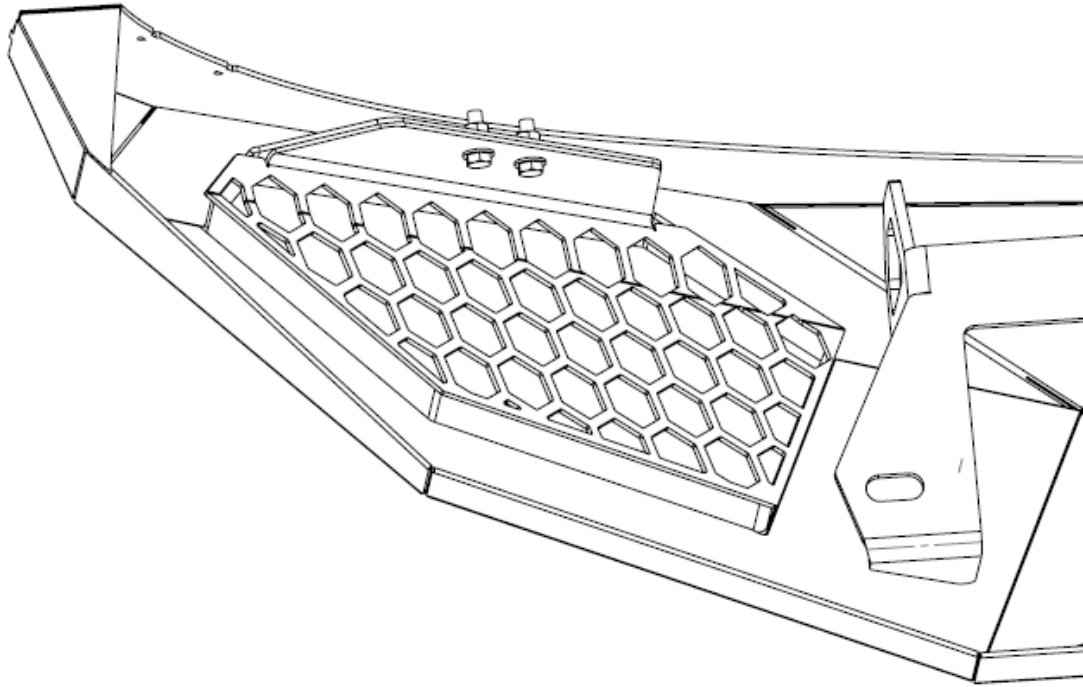


Fig 1. (Method 1)

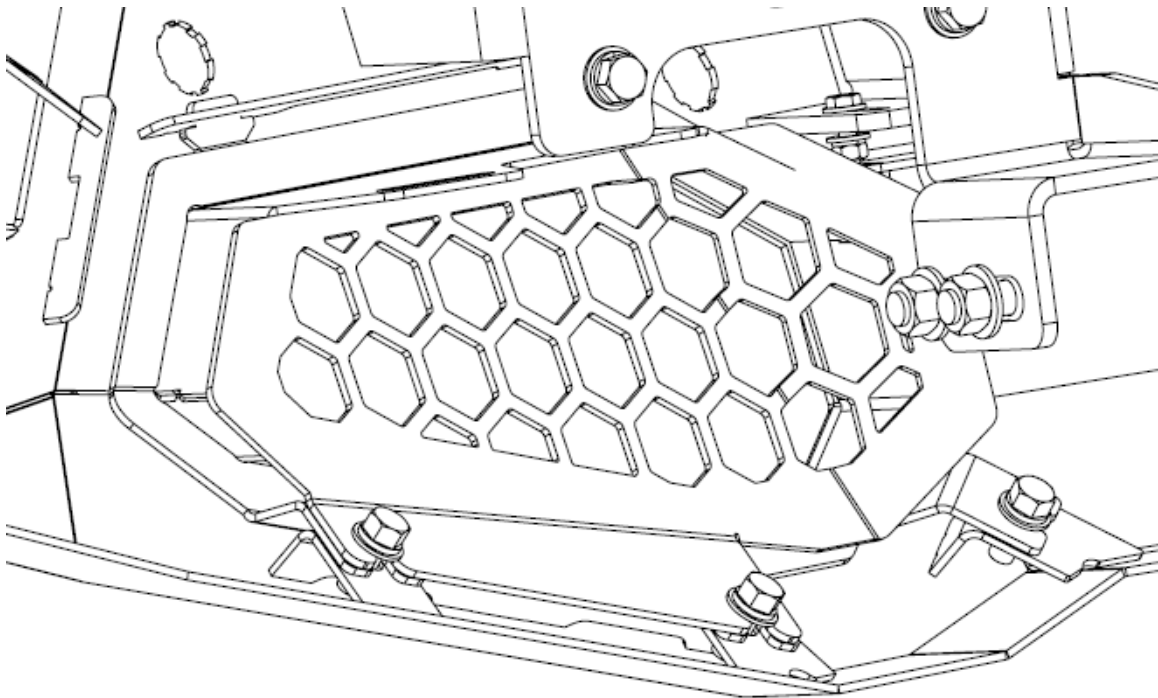


Fig 2. (Method 2)





# Installation Instructions

## Vengeance Light Mesh

For the Vengeance Front Bumper Line

### III. Maintenance/Care

- Periodically check and tighten all nuts.
- Stripped, fractured, or bent bolts or nuts need to be replaced.
- Periodically grease the tire carrier pivot.
- Periodically check the tension of the latch hook..

