



Installation Instructions

Toyota Tundra Front Winch Bumper

Product Number: H2851, H2852
Application: '14-Current Toyota Tundra

SAFETY

Your safety and the safety of others is very important.

- In order to help you make informed decisions about safety, we have provided installation instructions and other information.
- These instructions alert you to potential hazards that could hurt you or others.
- Please do a job safety analysis (JSA) before each task to identify potential hazards for your situation and remove/protect against them.
- You must use your own good judgment, and take your time.

Read and understand all safety precautions and instructions before installing this product.

THIS PRODUCT IS FOR OFFROAD USE ONLY. ALL LIABILITY FOR INSTALLATION AND USE RESTS WITH THE OWNER.

CARELESS INSTALLATION AND OPERATION CAN RESULT IN SERIOUS INJURY OR EQUIPMENT DAMAGE.

Injury hazard

Failure to observe these instructions could lead to severe injury or death.

- Always** remove jewelry and wear eye protection.
- Always** use extreme caution when jacking up a vehicle for work. Set emergency brake and use tire blocks. Locate and use the vehicle manufacturers designated lifting points. Use jack stands.
- Always** use appropriate and adequate care in lifting components into place.
- Always** insure components will remain secure during installation and operation.
- Always** wear safety glasses when installing this kit. A drilling operation will cause flying metal chips. Flying chips can cause serious eye injury.
- Always** use extreme caution when drilling on a vehicle. Thoroughly inspect the area to be drilled (on both sides of material) prior to drilling, and relocate any objects that may be damaged.
- Always** use extreme caution when cutting and trimming during fitting.
- Always** tighten all nuts and bolts securely per installation instructions.
- Always** route electrical cables carefully. Avoid moving parts, components that become hot and rough or sharp edges.
- Always** insulate and protect all exposed wiring and electrical terminals.
- Always** perform regular inspections and maintenance on mounts and related hardware.



Installation Instructions

Toyota Tundra Front Winch Bumper

Product Number: H2851, H2852

Application: '14-Current Toyota Tundra

I. Overview

Congratulations on your new purchase of the industries' best and most stylish Front Winch Bumper available for the 2014+ Toyota Tundra! This Bumper has been **engineered** for strength while keeping the weight down.

Your Front Bumper designed in 3-D from digitized data, CNC laser cut, fabricated, and powder coated... all in the U.S.A.

Enjoy the fit and finish of a quality Toyota Tundra Front Winch Bumper from Fab Fours Inc.



H285X_Rev. A



Installation Instructions

Toyota Tundra Front Winch Bumper

Product Number: H2851, H2852

Application: '14-Current Toyota Tundra

II. Tools Required

- Socket Wrench with Extension
- Breaker Bar
- 3/4", 10mm, 14mm, 17mm, & 18mm Sockets
- Flat and Phillips Head Screw Drivers
- Floor Jack and wood block.

III. Removal of Stock Bumper

1. Remove Dart Clip from front inner fender lining from frame. Complete Both Sides. See Figure 1.

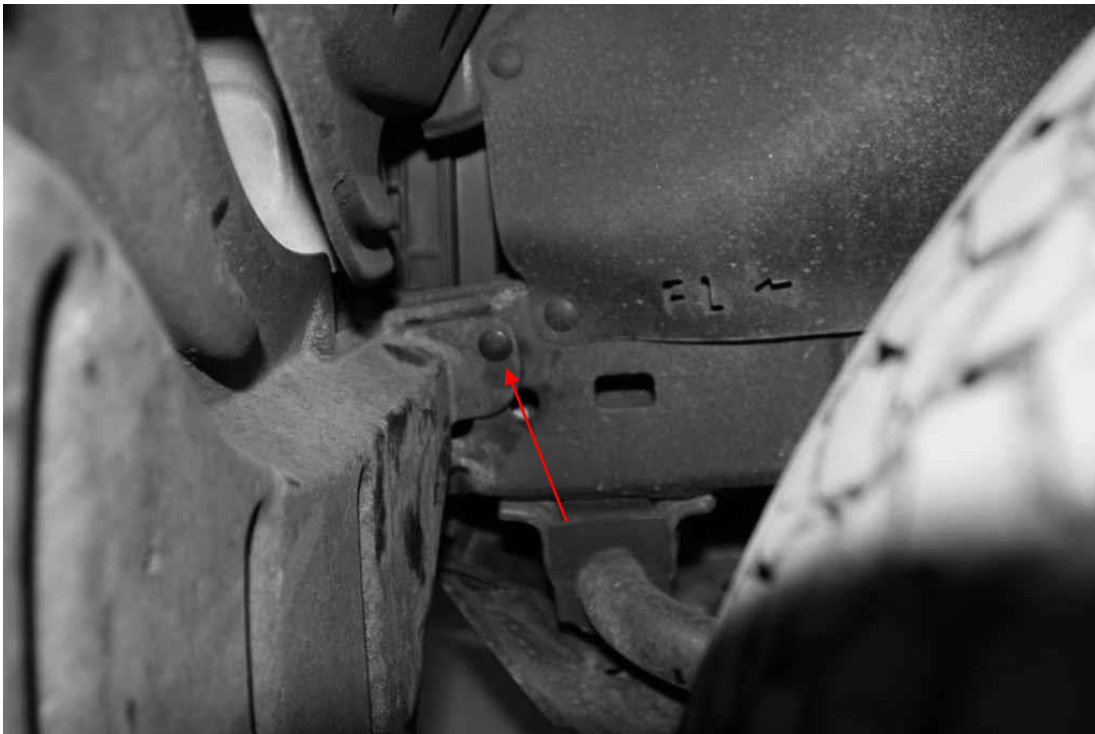


Figure 1 – Dart Clip Locations



Installation Instructions

Toyota Tundra Front Winch Bumper

Product Number: H2851, H2852

Application: '14-Current Toyota Tundra

2. Remove the three screws from the Bottom plastic on the bumper.
See Figure 2.



Figure 2 - Screw Locations

3. Remove the 2 Phillips head screws located in the inner fender well lining, per side.
4. Disconnect the factory fog light harness from the fog lights and secure harness out of harms way and to the frame.
5. Remove the factory tow hooks (2 bolts per tow hook) using a 17mm socket and wrench.



Installation Instructions

Toyota Tundra Front Winch Bumper

Product Number: H2851, H2852

Application: '14-Current Toyota Tundra

- Using a deep 14mm socket and breaker bar, loosen the 4 14mm nuts (each side) located at the connection between the factory frame end and the bumper. See Figure 3.



Figure 3 - Factory Bumper Connection

- Remove the bumper by pulling forward away from the vehicle and rolling forward.
- Remove the two (per side) plastic pop clips from the painted plastic fascia pieces located behind the fascia and grill. See Figure 4 and Figure 5 for pop clips locations.



Figure 4 - Pop Clip Location Grill to Plastic Fascia



Installation Instructions Toyota Tundra Front Winch Bumper

Product Number: H2851, H2852

Application: '14-Current Toyota Tundra



Figure 5 - Pop Clip Location Headlight to Plastic Fascia

9. Pull the lower edge of the grill forward releasing the three plastic clips on the backside of the grill. See Figure 6



Figure 6 - Grill Plastic Clip Locations

10. Pull the back of the plastic fascia out, snapping it free from the fender edge.
11. Pull the lower edge of the grill forward and unsnap the clips molded into the grill from the plastic fascia; remove plastic fascia.

H285X_Rev. A



Installation Instructions

Toyota Tundra Front Winch Bumper

Product Number: H2851, H2852

Application: '14-Current Toyota Tundra

12. Remove 10mm screw, Phillips head pop clip and dart clip to remove fascia spacer. See Figure 7 and Figure 8.



Figure 7 - Spacer Fastener Locations



Figure 8- Spacer Fastener Locations

13. Replace 10mm screw to re-secure headlamp.
14. Remove 5 (per side) 10mm nuts to remove fascia brace. See Figure 9 and Figure 10



Installation Instructions Toyota Tundra Front Winch Bumper

Product Number: H2851, H2852

Application: '14-Current Toyota Tundra



Figure 9 - Fascia Brace Nuts

15. Replace 3(per side) 10mm nuts to re-secure the grill brace. See Figure 10

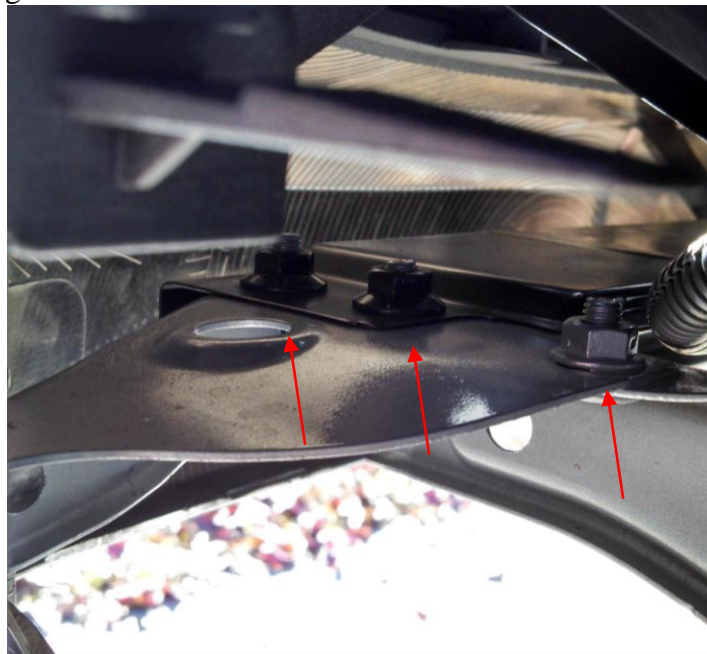


Figure 10 - Fascia Brace Nuts

16. Your Truck is now ready for the installation of your new Fab Fours Front Winch Bumper!



Installation Instructions

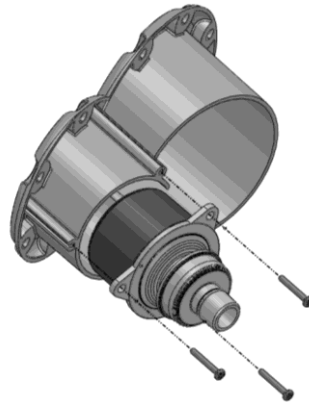
Toyota Tundra Front Winch Bumper

Product Number: H2851, H2852

Application: '14-Current Toyota Tundra

IV. Pre-Installation Assembly

1. Remove the Bumper from the shipping carton. Lay all items out on a blanket to prevent damage to the powder coating.
2. **OPTIONAL:** If installing winch and roller fairlead into bumper, do it at this time. Follow the winch manufacturer's instructions for installation. If you are installing a winch with a pulling capacity of 12,000 lbs., the front face mounting holes must be used. Install with the provided 7/16" socket head cap screws in the front upper holes. Winch manufacturer supplied hardware should be used in all other fastening locations.
3. Install turn signal into light pockets as shown using self-tapping screws as shown below.



4. Install the light inserts with turn indicators into the cutout in the bumper. Use the 3/4" length 1/4" stainless steel button head, 1/4" washers and hex nuts to fasten the insert through the holes shown below:

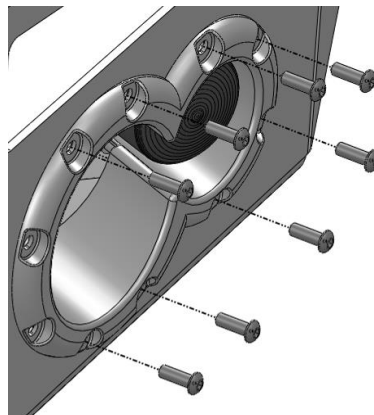


Figure 11 – Light Insert Installation

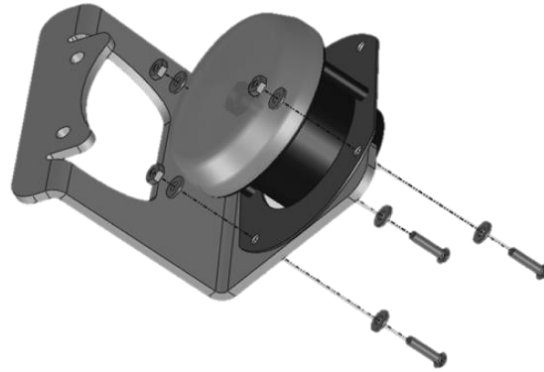


Installation Instructions Toyota Tundra Front Winch Bumper

Product Number: H2851, H2852

Application: '14-Current Toyota Tundra

5. Install the Fab Fours fog lights onto the mounting brackets as shown below using the #8 button head screws, washers, and nylock hex nuts. Be sure the adjusters are facing downward.



6. Install the fog light and bracket into the bumper using the remaining two holes available in the light insert. Use the 1-1/2" length 1/4" stainless steel button heads with 1/4" washers and nylock nuts:
7. With the supplied wire taps, tap into Factory Harness on each side of the truck to supply the Fog Lights. Cut the supplied wiring short if possible before adding the connectors.
8. Route the supplied turn indicator harness under and behind the headlight.
9. Remove the OEM turn indicator from the OEM headlight assembly to allow for easier access to the wiring.



Figure 12 - Turn Signal Wiring Access



Installation Instructions

Toyota Tundra Front Winch Bumper

Product Number: H2851, H2852
Application: '14-Current Toyota Tundra

10. Tap into the OEM turn indicator harness following the color codes in the table below:

V. Wiring Diagram

Driver Side Turn Indicator at Headlight

OEM (Running) Purple w/Silver → White Fab Fours
OEM (Turn) Red w/Silver → Red Fab Fours
OEM (Ground) White w/Black → Green Fab Fours

Passenger Side Turn Indicator at Headlight

OEM (Running) Purple w/Silver → White Fab Fours
OEM (Turn) Pink w/Silver → Red Fab Fours
OEM (Ground) White w/Silver → Green Fab Fours

1. Tap into Factory Harness on each side of the truck to supply the Fog Lights. Cut wiring short if possible.
2. Route the supplied turn indicator harness under and behind the headlight.
3. Remove the OEM turn indicator from the OEM headlight assembly to allow for easier access to the wiring.



4. Tap into the OEM turn indicator harness following the color codes above.

VI. Front Winch Bumper Installation

NOTE: The Following Installation steps apply to the installation of the Front Winch Bumper. **PLEASE READ THE ENTIRE MANUAL BEFORE ATTEMPTING**



Installation Instructions

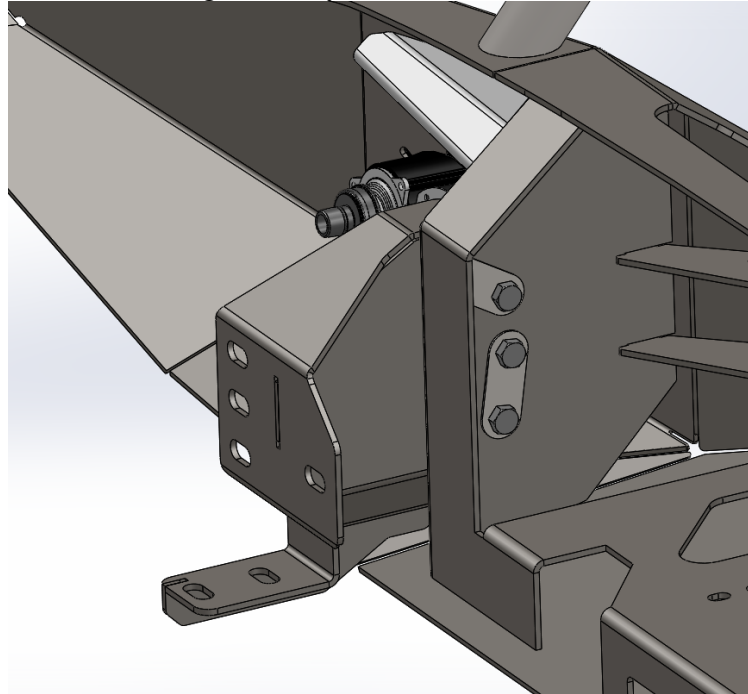
Toyota Tundra Front Winch Bumper

Product Number: H2851, H2852

Application: '14-Current Toyota Tundra

INSTALLATION! Ignoring these steps will increase your probability of scratching the vehicle during product Installation!

1. Insert the provided stud plates from the inside of the mount tower through the mount face. Install the supplied 1/2" nuts and washers but do not tighten fully.



2. Carefully align bumper with intermediate mounts to the frame and slide bumper into place. It may be helpful to support bumper with a floor jack(s) during install. This will at minimum require two people to hold the bumper and a third person to install the supplied hardware.
3. Using the OEM hardware install the intermediate mounting brackets to the frame. This requires the four 14mm nuts and two 17mm bolts (Previously used on the tow hooks) per side. Do Not Tighten Fully, Only Finger Tighten to allow for adjustment.
4. Adjust the bumper to achieve good visual alignment.
5. Tighten all fasteners beginning with frame mounts. Then tighten all mount-to-bumper fasteners.
6. Connect wiring harnesses to lights as shown in wiring diagram.
7. Verify proper operation of lights. Note: Turn indicators should be dim during "running" condition and flash bright for turn.



Installation Instructions

Toyota Tundra Front Winch Bumper

Product Number: H2851, H2852
Application: '14-Current Toyota Tundra

VII. Maintenance/Care

- Periodically check and tighten all fasteners.
- Stripped, fractured, or bent bolts or nuts need to be replaced.
- After washing of the vehicle make sure to fully dry all surfaces