



Installation Instructions

ROCK SLIDERS

Product Number: G1550

Application: Jeep JL 2018

! IMPORTANT SAFETY GUIDE

- Your safety and the safety of others is very important.
- In order to help you make informed decisions about safety, we have provided the following warnings, safety precautions, installation instructions, and other important information to alert you to potential hazards that could hurt you or others.
- Please do a job safety analysis before each task to identify potential hazards for your situation and remove/protect against them.
- Use own good judgment and take your time.
- Check packaged materials immediately upon arrival to ensure that all listed parts are included and undamaged.

Read and understand all warnings, safety precautions, and instructions before installing this product.

SENSORS FIELD OF VIEW WILL BE ALTERED WITH USE OF THE REPLACEMENT BUMPER.

WARNINGS

- **FAILURE TO OBSERVE THE FOLLOWING WARNINGS AND INSTRUCTIONS PROVIDED IN THIS MANUAL COULD LEAD TO SEVERE INJURY AND/OR DEATH.**
- **FOR PROFESSIONAL INSTALLATION ONLY. CARELESS INSTALLATION AND/OR OPERATION CAN RESULT IN SERIOUS INJURY, DEATH, AND/OR EQUIPMENT DAMAGE. ALL LIABILITY FOR INSTALLATION AND USE RESTS WITH THE USER OR CONSUMER.**
- **FAB FOURS, INC. ONLY APPROVES INSTALLING THIS PRODUCT ACCORDING TO THESE WRITTEN INSTRUCTIONS WITH THE HARDWARE PROVIDED. FAILURE TO INSTALL ACCORDING TO THESE INSTRUCTIONS WILL INVALIDATE THE WARRANTY. THIS INCLUDES, BUT IS NOT LIMITED TO, USING ALTERNATIVE INSTALLATION METHODS, HARDWARE, OR MATERIALS.**
- **THIS PRODUCT IS FOR OFFROAD USE ONLY.**





Installation Instructions

ROCK SLIDERS

Product Number: G1550

Application: Jeep JL 2018

SAFETY PRECAUTIONS

- Always remove jewelry and wear eye protection.
- Always use extreme caution when jacking up a vehicle for work. Set emergency brake and use tire blocks. Locate and use the vehicle manufacturers designated lifting points. Use jack stands.
- Always use appropriate and adequate care in lifting components into place.
- Always ensure components will remain secure during installation and operation.
- Always wear safety glasses when installing this kit. A drilling operation will cause flying metal chips. Flying chips can cause serious eye injury.
- Always use extreme caution when drilling a vehicle. Always disconnect power before welding. Thoroughly inspect the area to be drilled (on both sides of material when possible) prior to drilling, and relocate any objects that may be damaged.
- Always use extreme caution when welding a vehicle. Thoroughly inspect the area to be welded (on both sides of material when possible) prior to welding, and relocate any objects that may be a fire hazard. When welding in a cab, make sure the interior surfaces are covered (*e.g.*, welding blanket) and a fire extinguisher is at hand.
- Always use extreme caution when cutting and trimming during fitting.
- Always tighten all nuts and bolts securely per installation instructions.
- Always route electrical cables carefully. Avoid moving parts, components that become hot, and rough or sharp edges.
- Always insulate and protect all exposed wiring and electrical terminals.
- Perform regular inspections and maintenance on mounts and hardware.
- Tire may rub at max turn or articulation.





Installation Instructions

ROCK SLIDERS

Product Number: G1550

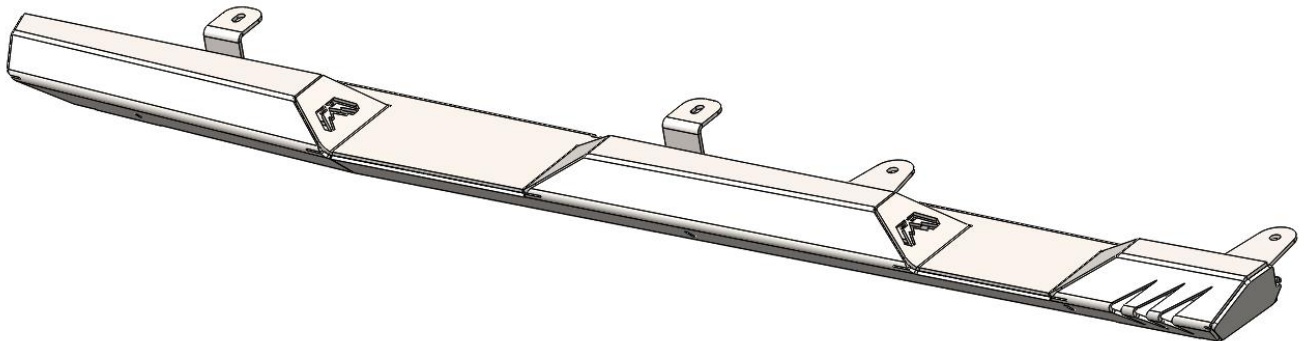
Application: Jeep JL 2018

I. Overview

Congratulations on your new purchase of the industries' best and most stylish Rock Sliders available for the 2018 Jeep JL!

Your Rock Sliders were designed in 3-D from digitized data, CNC laser cut, fabricated, and powder coated... all in the U.S.A.

Enjoy the fit and finish of a quality 2018 Jeep JL Rock Sliders from Fab Fours Inc.





Installation Instructions

ROCK SLIDERS

Product Number: G1550

Application: Jeep JL 2018

II. Removal of OEM Rock Sliders

Note: Save all OEM parts until installation is complete!

- A. Remove the three 1/2" bolts from the frame along with the seven 10mm bolts from the pinch seem from both the passenger and drivers side of the vehicle.

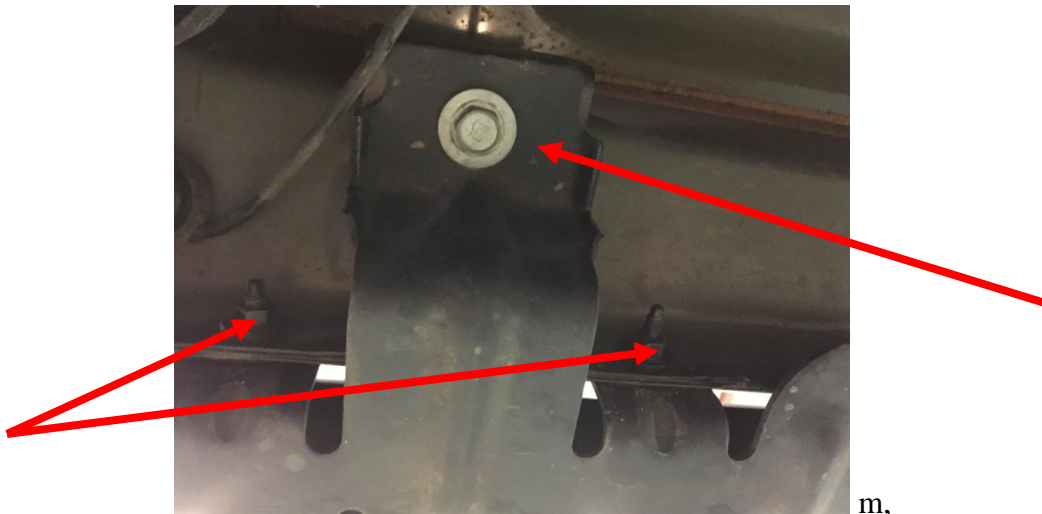


Figure 1

m,

- B. Remove the OEM rock slider from the vehicle.



Installation Instructions

ROCK SLIDERS

Product Number: G1550

Application: Jeep JL 2018

III. Pre-Installation

NOTE: The Following Installation steps apply to the installation of the Tailgate Delete. PLEASE READ THE ENTIRE MANUAL BEFORE ATEMPTING INSTALLATION! Ignoring these steps will increase your probability of scratching the vehicle during product installation.

- A. Remove the two body mount bolts on both the driver side and passenger side using an 18mm socket and set them aside to be used during installation.

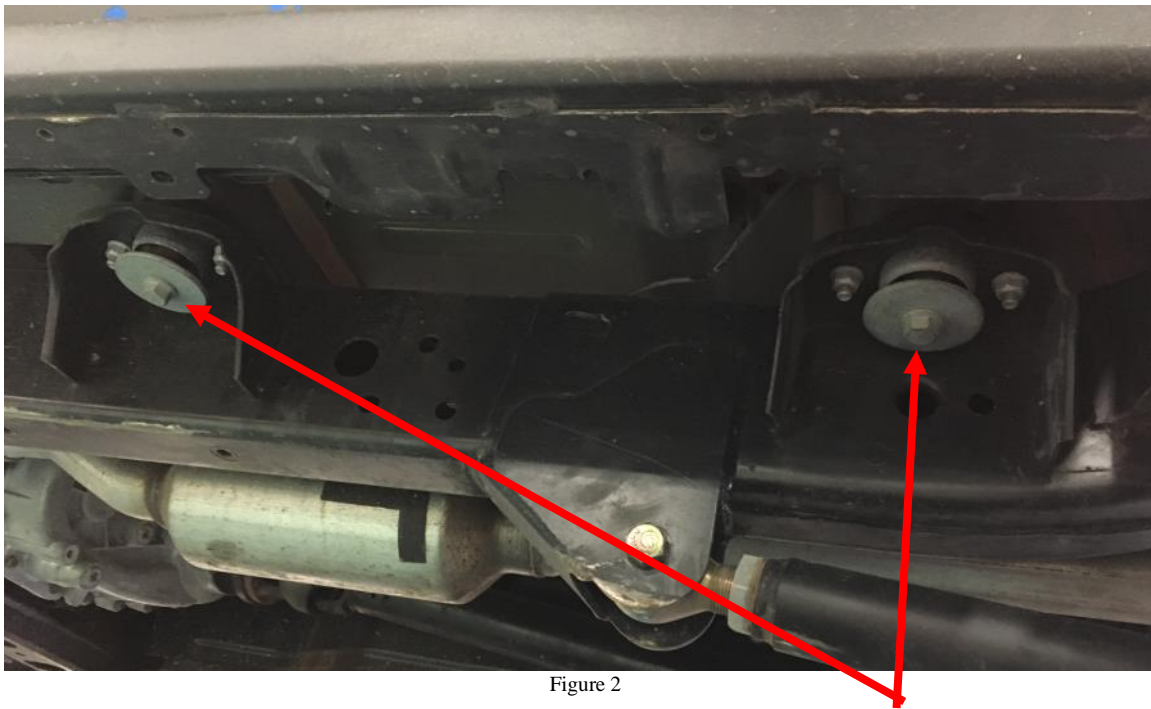


Figure 2

****NOTE: Step B is only if you are installing RIDGID Rock Lights into your Fab Fours Rock Sliders.****





Installation Instructions

ROCK SLIDERS

Product Number: G1550

Application: Jeep JL 2018

- B. Take your RIDGID Rock Lights and bolt them into the brackets using the hardware provided. Make sure to run the wires through the support brackets and use the zip tie locations to tie the wire down.**

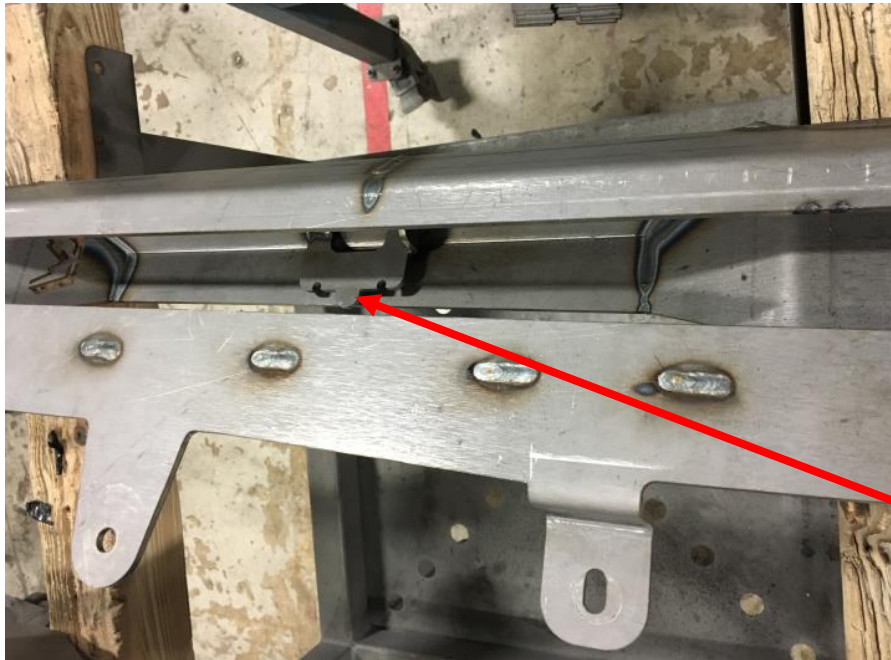


Figure 3

****NOTE: The Rock Light bolts will have to be cut to 3/4" length to fit the brackets.****





Installation Instructions

ROCK SLIDERS

Product Number: G1550

Application: Jeep JL 2018

IV. Rock Slider Installation

- A. Prior to installation please tap all holes to ensure that they are free of debris. Anti-seize is highly recommend on all Stainless Steel bolts.
- B. Place your Fab Fours Rock Sliders on the vehicle and use the two OEM body mount bolts (taken off during Pre-install) along with two of the OEM frame bolts to attach it.

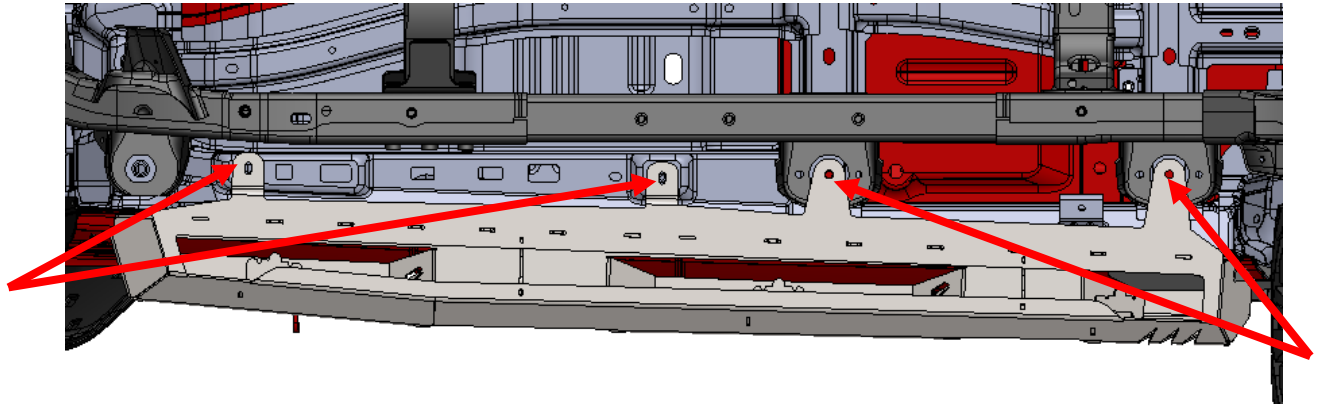


Figure 4

- C. Use the five 5/16" bolts with washers on the driver and passenger side to bolt into the pinch seem using a 1/2" socket.

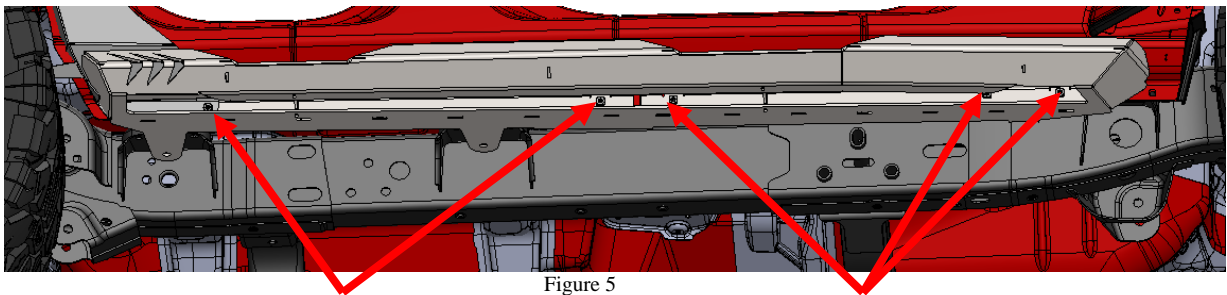


Figure 5

****NOTE: Make sure to repeat all steps for both sides of the vehicle and ensure that all hardware is secured properly before driving.****





Installation Instructions

ROCK SLIDERS

Product Number: G1550

Application: Jeep JL 2018

V. Maintenance/Care

- Periodically check and tighten all nuts.
- Stripped, fractured, or bent bolts or nuts need to be replaced.

