

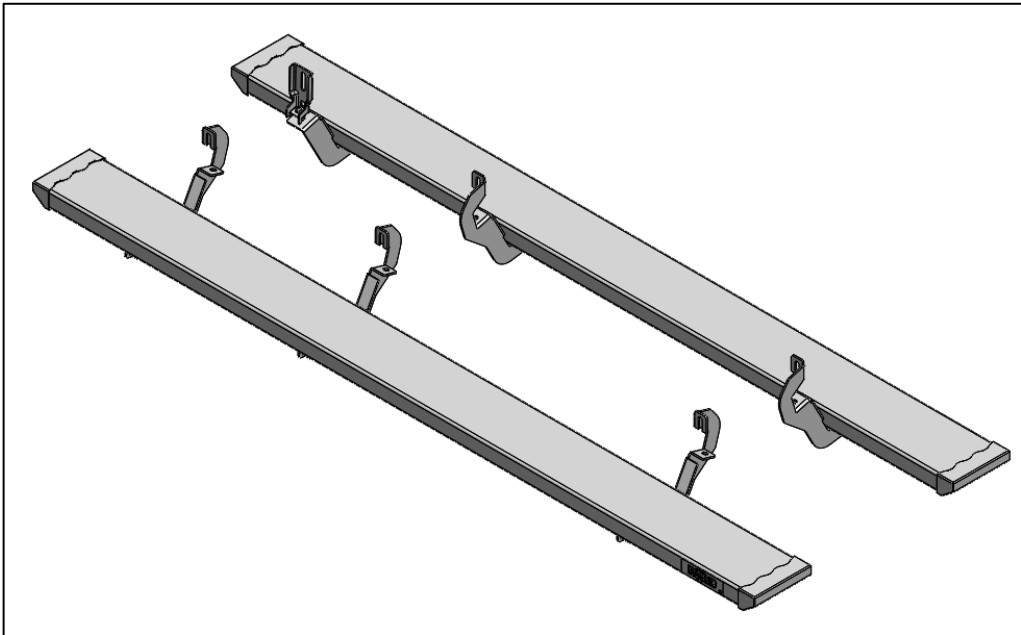
I-SHEET NUMBER: INST-00002
 PART NUMBER: C11-QCTX
 PRODUCT: **Growler Running Board**
 APPLICATION: **2011-16 CHEVY/GM Diesel 2500/3500 QUAD CAB**

HARDWARE DESCRIPTION		QTY.
HWKT-00015X		
CLIP-00643	M8-1.25 X 20MM BARREL U-NUT CLIP	6
HHCS-00647	M8-1.25 X 25MM CLASS 8.8 HEX CAP SCREW	12
FLHB-00688	3/8"-16 X 1" GRADE 5 HEX SERRATED FLANGE BOLT	12
HXNT-00708	M8-1.25 CLASS 8 FINISHED HEX NUT	6
FDRW-00736	M8 FENDER WASHER	18



PARTS INCLUDED		QTY
Running Boards		
Rocker Panel mounting Brackets		7
Threaded clamp plates		6

GGROWLER



DRIVER SIDE

Step 1: Look on the underside of the body and locate the factory supplied mounting positions.

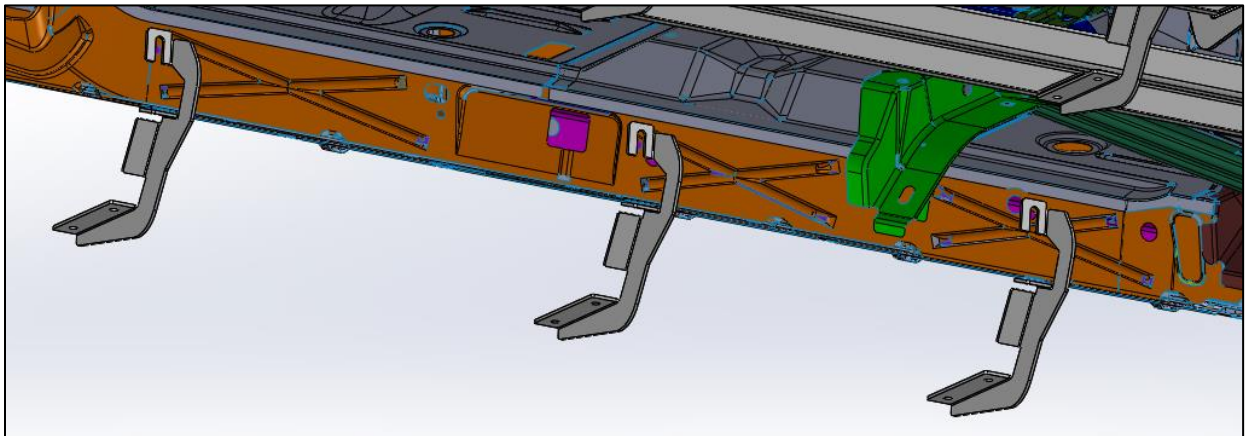
NOTE: Some vehicles require the use of speed clips and nuts, which are supplied with the hardware kit.

Step 2: If your vehicle requires the use of the speed clips, install at this time. This requires the removal of a plastic body plug. Using a flat head screwdriver remove the plug and install one of the supplied speed clips.

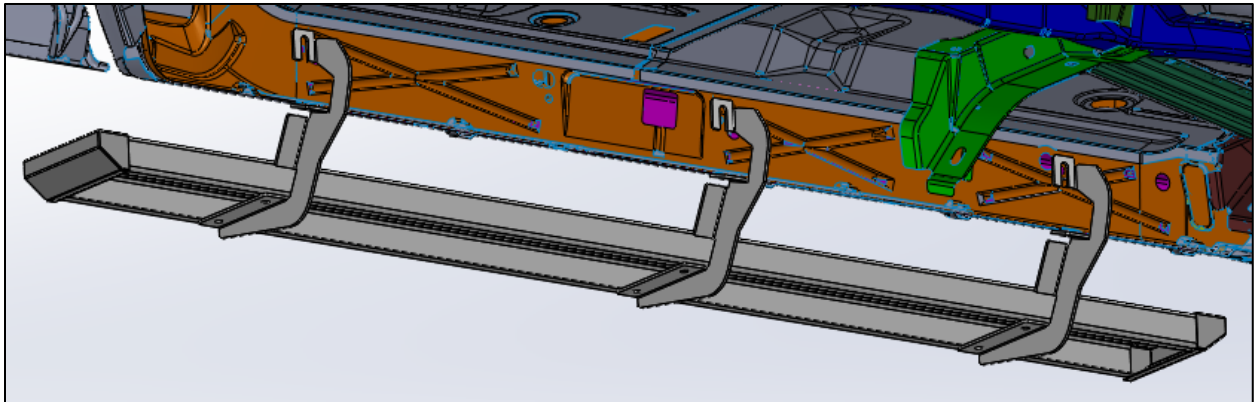


Step 3: Install the brackets to the mounting locations in the body of the vehicle and install hardware. Do not tighten all the way.

NOTE: Some vehicles may require the use of additional nuts and washers for the lower portion of the mounting bracket which are supplied in the hardware kit



Step 4: Set running board along the top of all three brackets and center along the cab.



Step 5: Insert the supplied threaded brackets (x3) inside the running board lip over the top of each bracket.

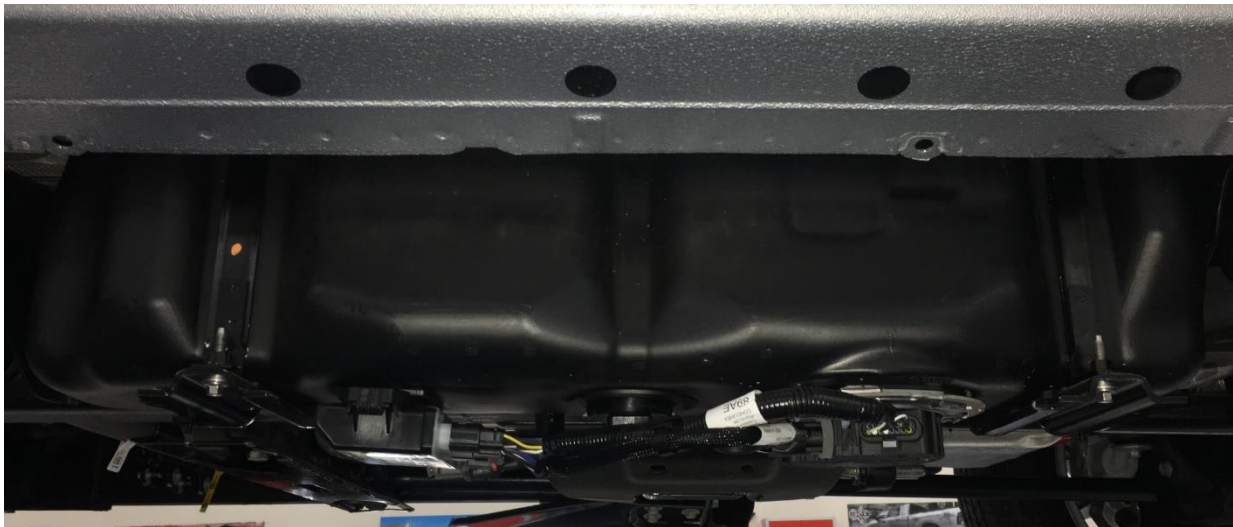
Step 6: With the supplied 3/8" x 1" hex bolts, secure each mounting location and leave loose.

Step 7: After final adjustment, tighten all running board threaded mounts.

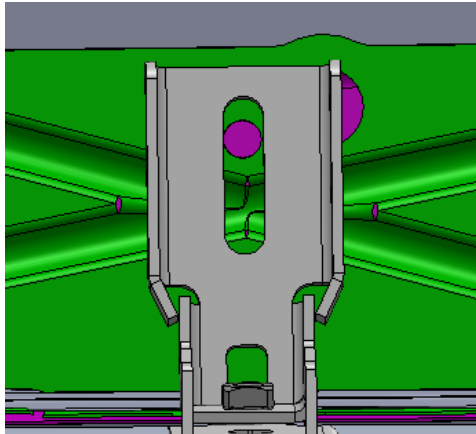
Step 8: Next, adjust frame brackets so the running board is level with body of the vehicle and tighten all factory-mounting locations.

Passenger side with Def Tank

Step 1. Remove the (x3) 13mm bolts, (x2) 10mm bolts and (x2) 10mm nuts that attach the Def tank cover and remove.

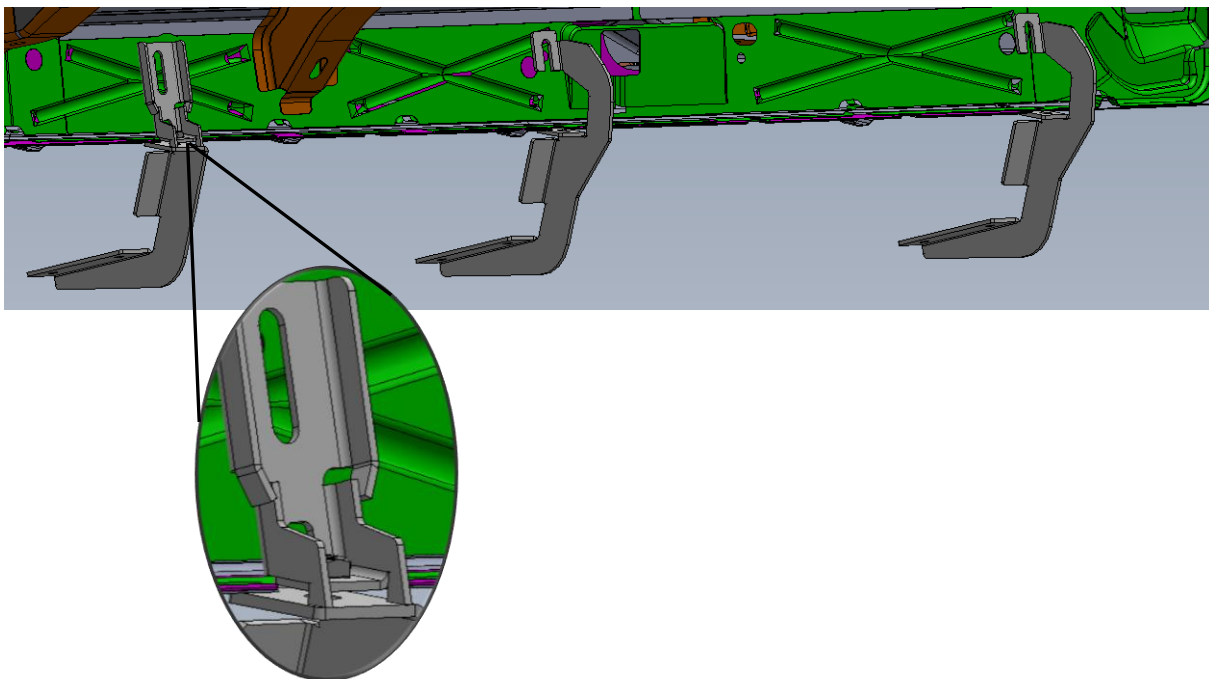


Step 2: Feed the short bracket between the body and DEF tank, then align with lower rocker panel mount.

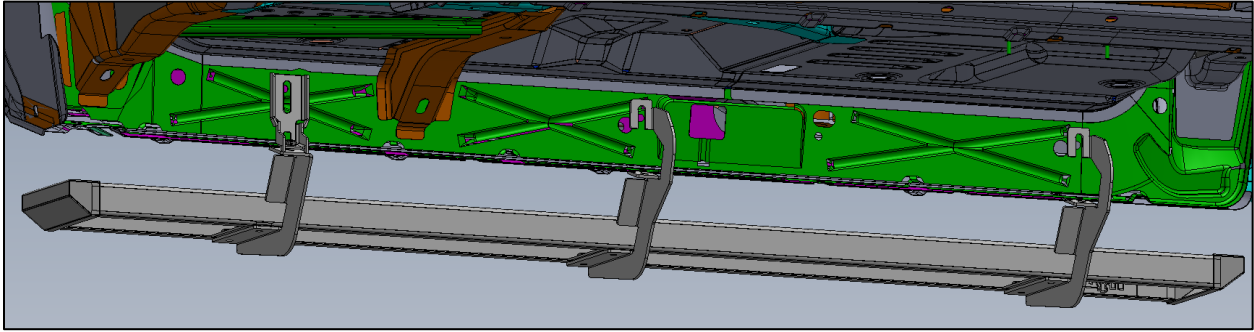


Step 3: Using the supplied M8x25mm hex bolts and washers begin hand tightening both upper and lower mounts to the rear two brackets.

Step 4: Next, using a supplied 3/8" flanged bolt, attach the front bracket to the rocker panel bracket that you installed in step 2 and hand tighten.



Step 5: Set running board along the top of all four brackets and center along the cab.



Step 6: Insert the supplied threaded brackets (x3) inside the running board lip over the top of each bracket.

Step 7: With the supplied 3/8" x 1" hex bolts, secure each mounting location and leave loose.

Step 8: After final adjustment, tighten all running board threaded mounts.

Step 9: Next, adjust frame brackets so the running board is level with body of the vehicle and tighten all factory-mounting locations.

Step 10: Re-install the DEF tank cover that was removed in step 1 and tighten to factory specs.

Step 11: Your install for passenger side is now complete.

