

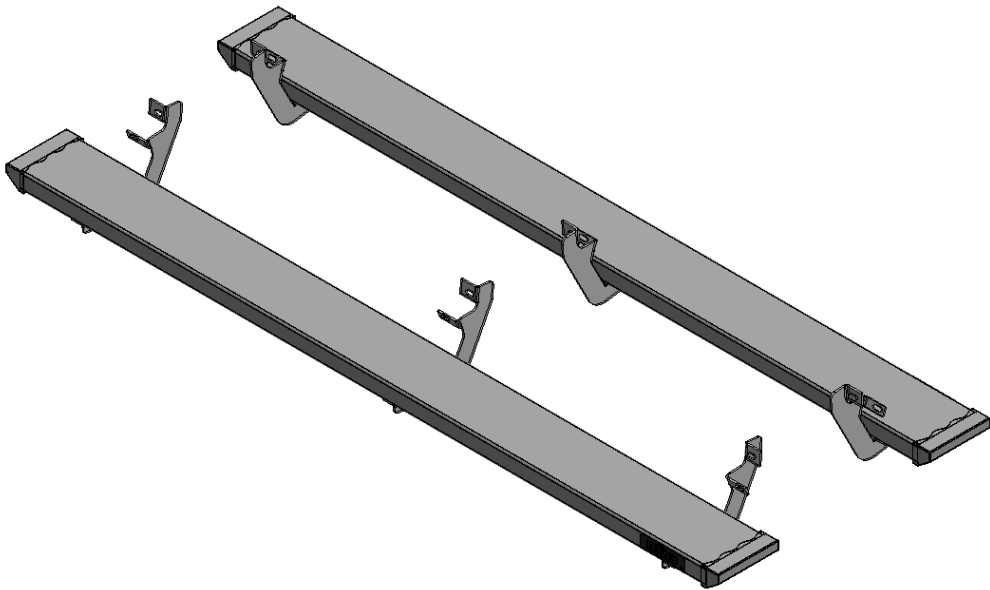
HWKT-05693X

HARDWARE DESCRIPTION		QTY.
HHCS-00568X	3/8"-16 X 1" GRADE 5 HEX CAP SCREW	6
CLIP-00647X	3/8"-16 X 1 3/4" BARREL NUT CLIP	6
FLTW-00663X	3/8" USS FLAT WASHER	6
FLHB-00797X	M8-1.25 X 25MM HEX SERRATED FLANGE BOLT	6
FLNT-00696X	M8-1.25 SERRATED FLANGE NUT	6
FLHB-00688X	3/8"-16 X 1" HEX SERRATED FLANGE BOLT	12

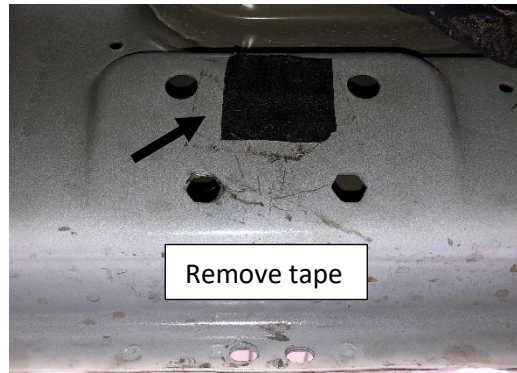
PARTS INCLUDED	QTY
Running Boards	2
Rocker Panel mounting Brackets	6
Threaded clamp plates	6



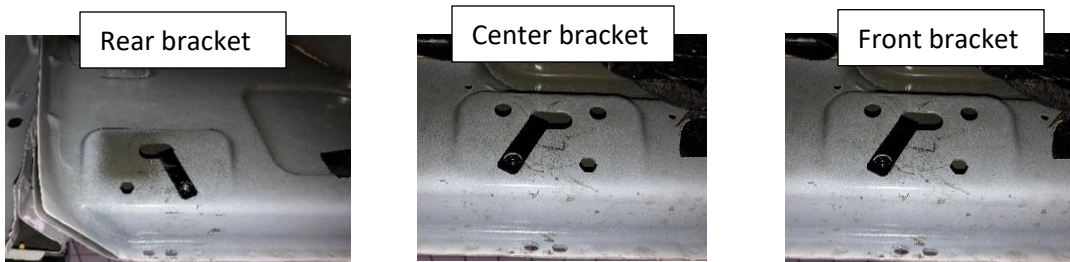
GROWLER



Step 1: Beginning with the driver side, remove any factory running boards or steps and discard.
Step 2: Next, locate the mounting holes underneath the body and remove the factory tape from the three locations.

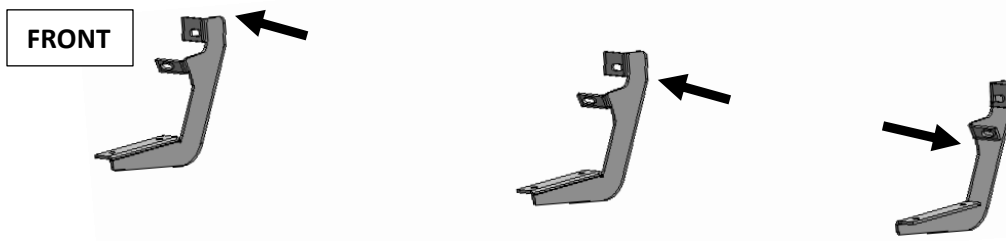


Step 3: Insert the supplied threaded U- clips in each mounting location.



U-clip positioning. **NOTE: Clip orientation will be the same for passenger side.**

Step 4: Install the (x3) rocker panel mounting brackets to the factory attachment points using the provided 3/8" x 1" hex bolts and 3/8" flat washers for the upper mount and the M8x25mm flanged bolt and M8 flanged nut for the pinch weld mount. Leave loose for now.

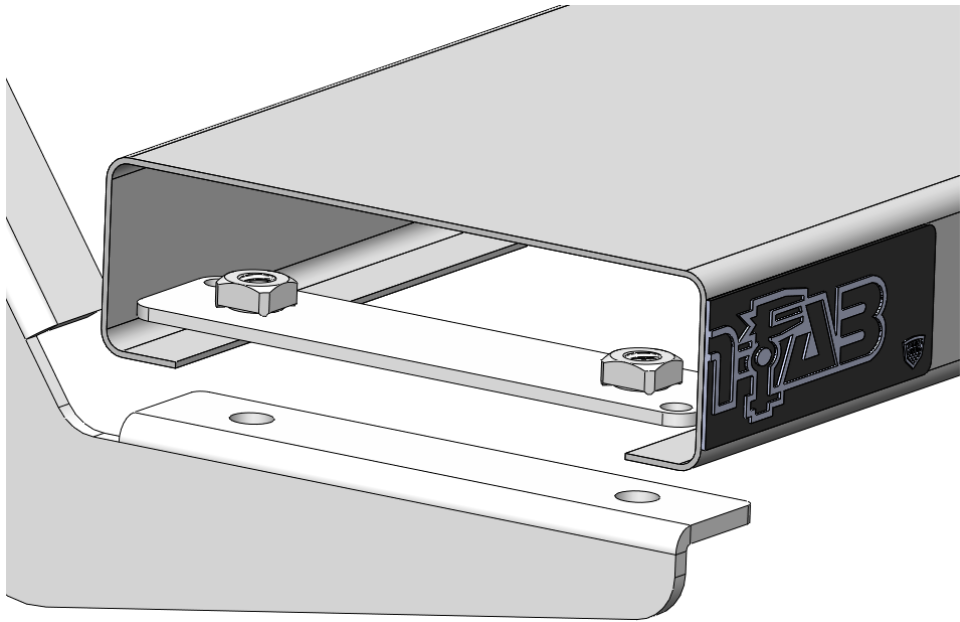


NOTE: Make sure the brackets are facing in the correct direction.

Step 5: Set running board along the top of all 3 brackets and center along the cab.



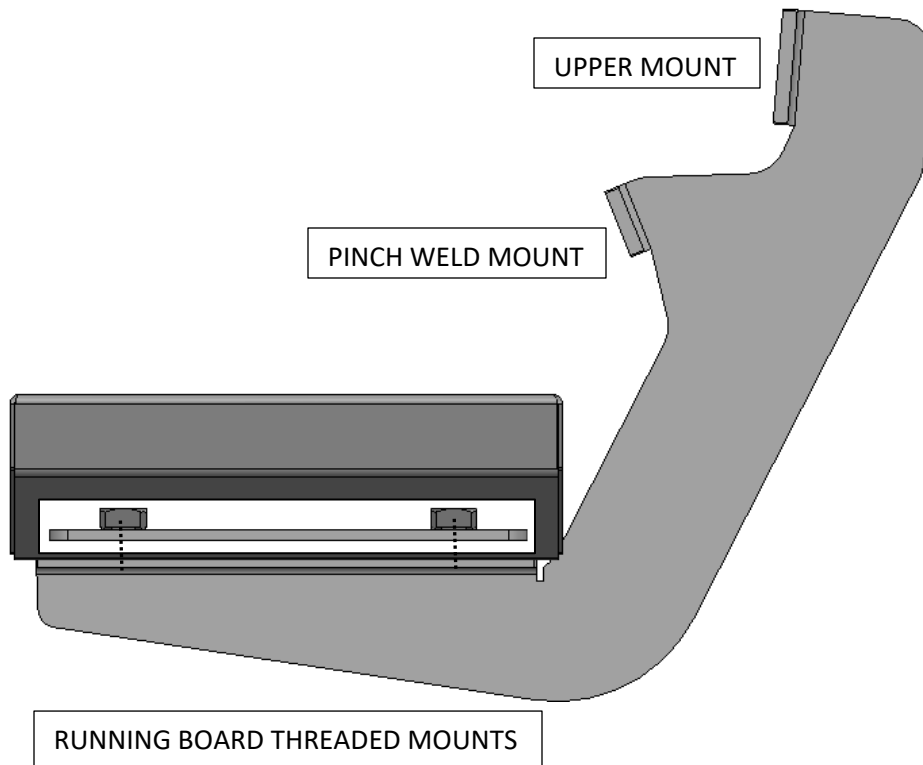
Step 6: Insert the supplied threaded bracket (x3) inside the running board lip over the top of each bracket.
Step 7: With the supplied 3/8" x 1" hex bolts, secure each mounting location and leave loose.



Step 8: After final adjustment, tighten all running board threaded mounts.

Step 9: Next, tighten the lower pinch weld attachment points (x3).

Step 10: Finish by tightening the upper mounts (x3).



Step 11: Repeat steps 2-10 for passenger side.