

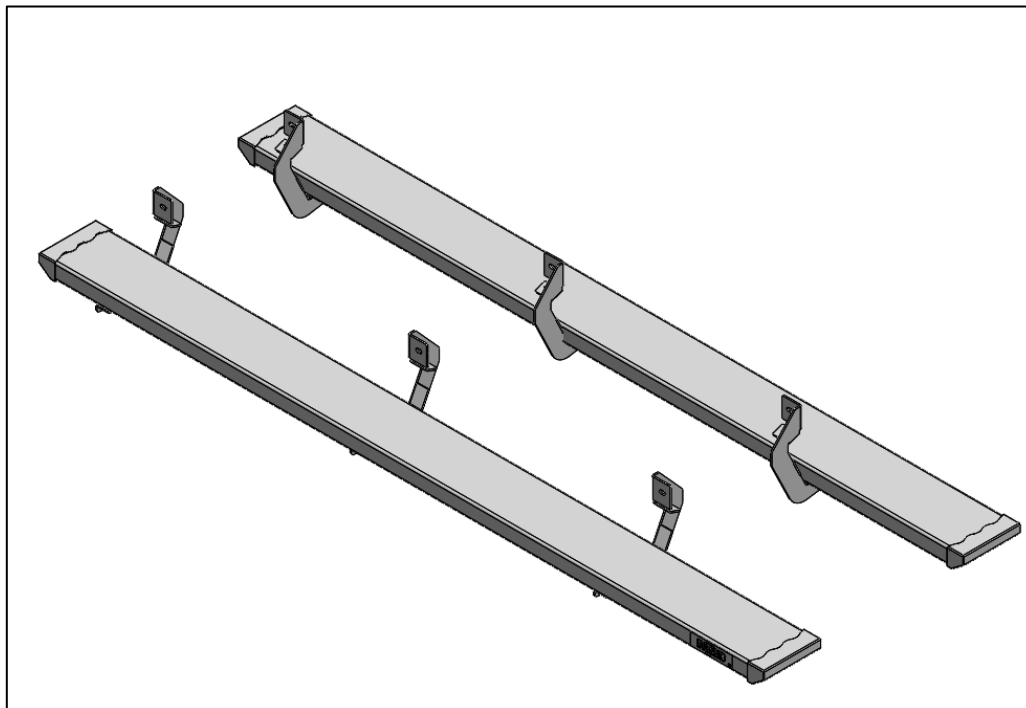
I-SHEET NUMBER: INST-00011
 PART NUMBER: F09-CCTX, F09-QC-TX
 PRODUCT: **Growler Running Board**
 APPLICATION: **2009-14 F-150 Super Crew**
2009-14 F-150 Quad Cab

HARDWARE DESCRIPTION		QTY.
HWKT-06125X		
CLIP-00645	5/16"-18 X 9/16" BARREL U-NUT CLIP	4
HHCS-00665	5/16"-18 X 1" GRADE 5 HEX CAP SCREW	4
FLTW-00750	5/16" USS FLAT WASHER	4
CARB-00661	3/8"-16 X 3/4" GRADE 5 CARRIAGE BOLT	6
FLHB-00688	3/8"-16 X 1" GR. 5 HEX SERRATED FLANGE BOLT	12
FLNT-00664	3/8"-16 GRADE 5 SERRATED FLANGE NUT	6

PARTS INCLUDED	QTY
Running Boards	2
Rocker Panel mounting Brackets	6
Threaded clamp plates	6

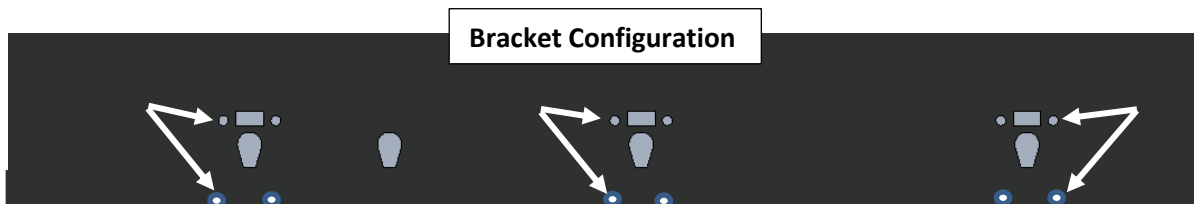
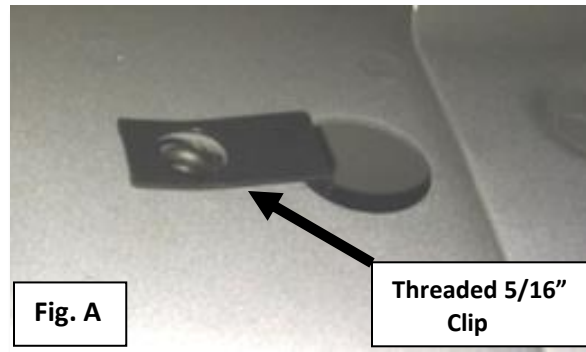


GGROWLER



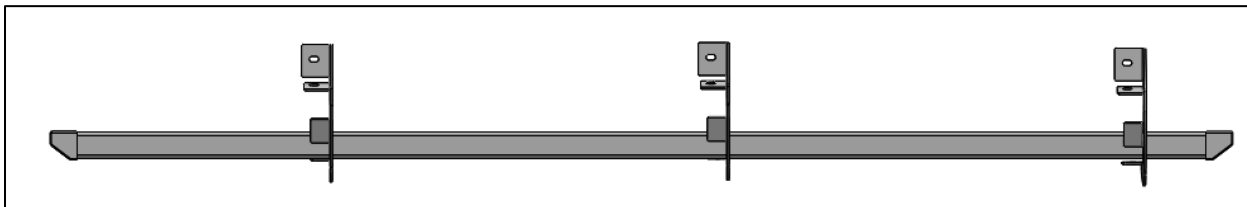
Step 1 Starting with driver side, remove any factory-equipped running boards, fasteners, and discard.

Step 2 Next, install the three 5/16" clips into the upper factory mounting locations. (**Fig. A**) **Note:** *The center bracket location will not be used in some models.*

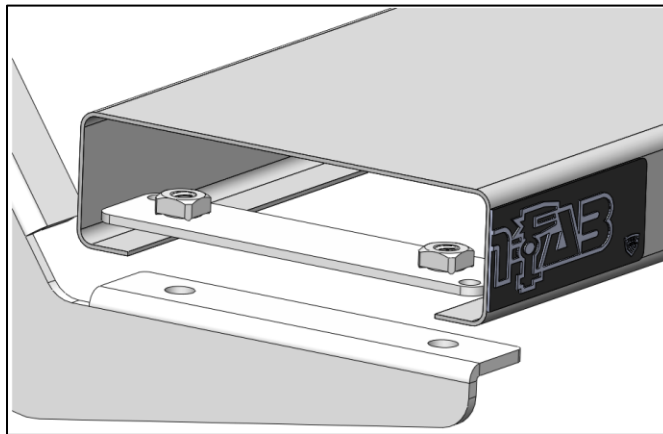


Step 3 Install the three rocker panel mounting brackets using the supplied 3/8" x 3/4" carriage bolts and 3/8" Flanged nuts for the bottom holes. Use the 5/16" x 1" hex bolts and 5/16" washers for the top holes. Leave loose at this time.

Step 4: Set running board along the top of all four brackets and center along the cab.



- Step 5:** Insert the supplied threaded brackets (x3) inside the running board lip over the top of each bracket.
- Step 6:** With the supplied 3/8" x 1" flange hex bolts, secure each mounting location and leave loose.
- Step 7:** After final adjustment, tighten all running board threaded mounts.
- Step 8:** Next, adjust frame brackets so the running board is level with body of the vehicle and tighten all factory-mounting locations.



Step 9: Re-peat steps 2-8 for passenger side.