

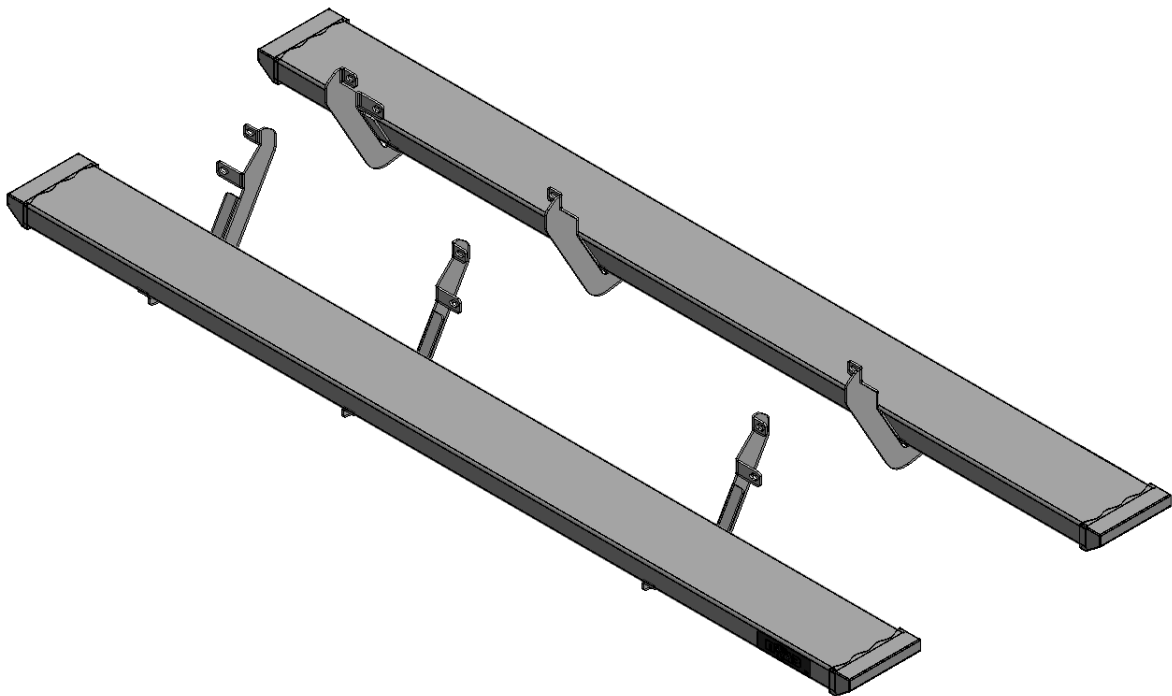
I-SHEET NUMBER: INST-00013
 PART NUMBER: F15-QCTX
 PRODUCT: **Growler Running Board**
 APPLICATION: 2015-18
 F-150/F-250/F-350/F-450

HARDWARE DESCRIPTION	QTY.
HWKT-05693X	1
M8 flanged nuts	12
3/8"x1" Flanged hex bolt	12



PARTS INCLUDED	QTY
Running Boards	2
Rocker Panel mounting Brackets	6
Threaded clamp plates	6

GGROWLER

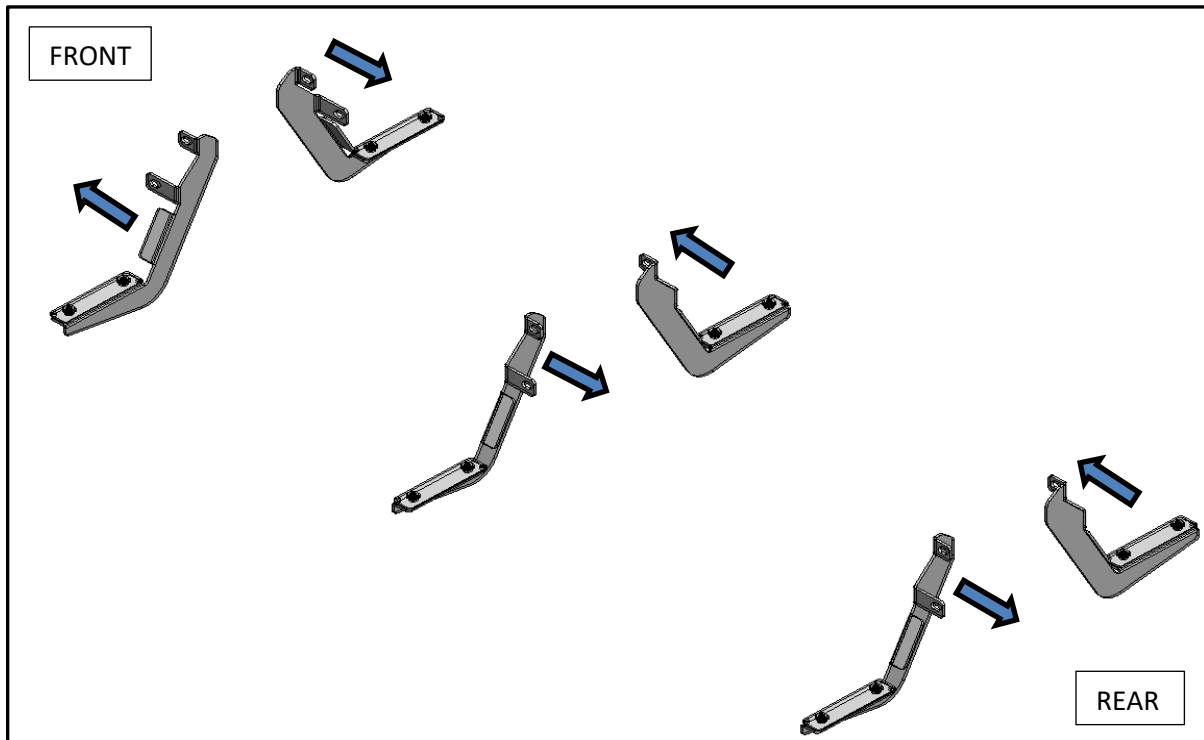


Step 1: Starting with the Driver Side. Remove all 8mm flange nuts from the 8mm factory threaded studs to remove the OE running boards. Repeat for passenger side.



Step 2: Install three of the supplied mounting brackets (both sides) to the factory locations and loosely fasten with the M8 flanged nuts.

*** BRACKET ORINATION ***



Step 3: Set running board along the top of the two brackets and center along the cab.

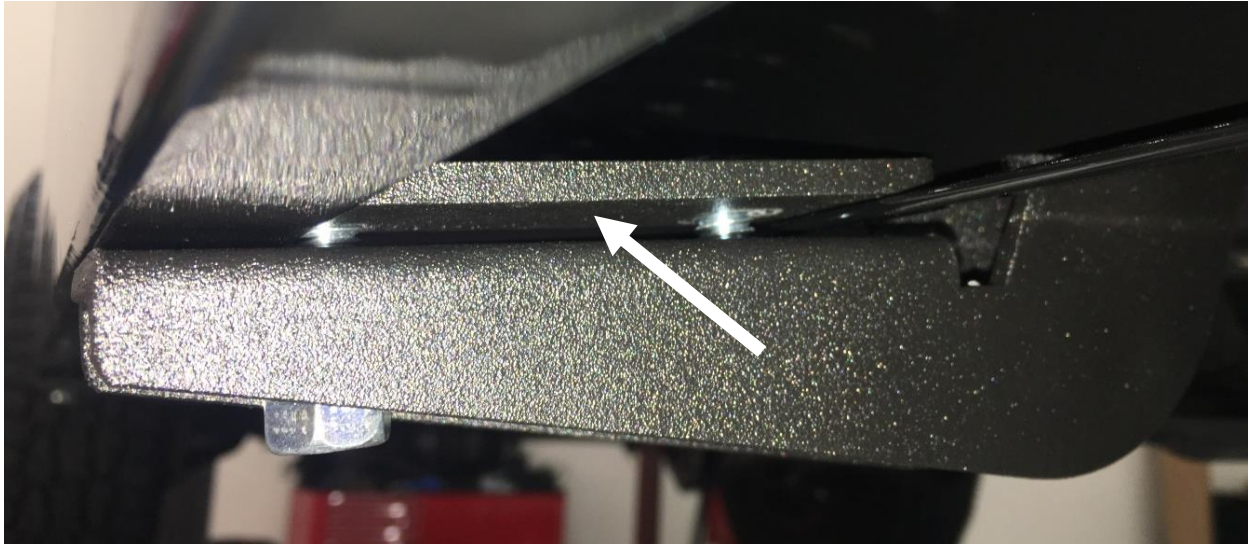


Step 4: Insert the supplied threaded brackets (X3) inside the running board lip over the top of each bracket.

Step 5: With the supplied 3/8" x 1" hex bolts, secure each mounting location and leave loose.

Step 6: After final adjustment, tighten all running board threaded mounts.

Step 7: Next, adjust frame brackets so the running board is level with body of the vehicle and tighten all factory-mounting locations.



Step 8: Repeat steps 3-7 for passenger side. Your install is now complete.