



n-fab.com

a TRUCK HERO
company

nfabinc f t

I-SHEET NUMBER: INST-00107

PART NUMBER: GFF19-CCTX

PRODUCT: **Growler Running Board**

APPLICATION: **2019 + FORD RANGER CREW CAB**

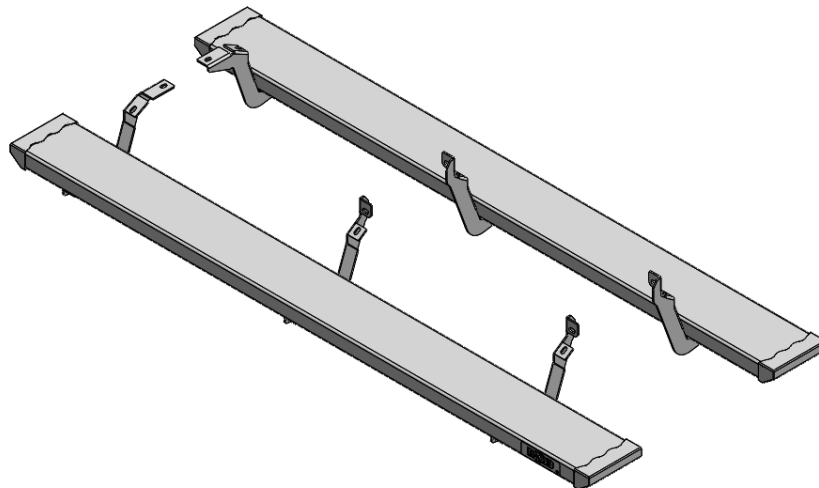
| HARDWARE DESCRIPTION | | QTY. |
|----------------------|--|------|
| HWKT- 04268X | | |
| FHLB 04240X | M10x25mm HEX FLANGED BOLT | 12 |
| FLHB- 00688 | 3/8"-16 X 1" GRADE 5 HEX SERRATED FLANGE BOLT | 12 |

| PARTS INCLUDED | | QTY |
|--------------------------------|--|-----|
| Running Board | | 2 |
| Rocker Panel mounting Brackets | | 6 |
| Threaded clamp plates | | 6 |



GROWLER

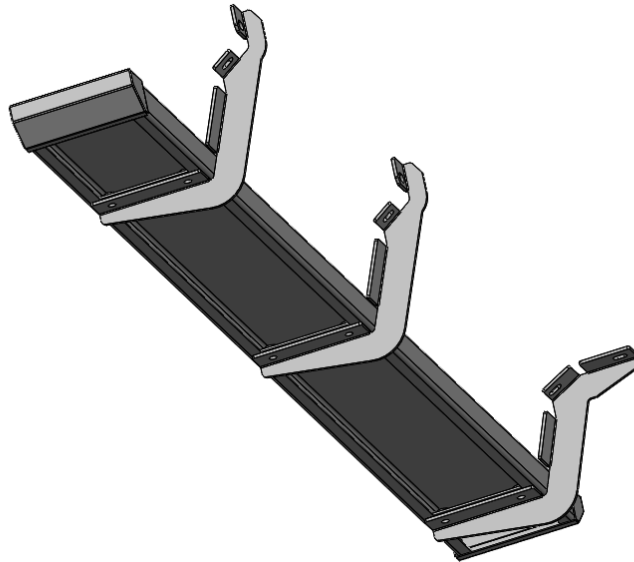
DO NOT USE IMPACT TOOLS



STEP 1: Remove any factory running boards or hardware and discard.
STEP 2: Clean/tap the three factory threaded mounting locations.



STEP 3: Starting with the driver's side, install the (x3) rocker panel mounting brackets to the factory attachment points using the supplied M10X25mm Hex Cap Bolts and leave loose at this time.
STEP 4: Set running board along the top of the three brackets and center along the cab front/back.

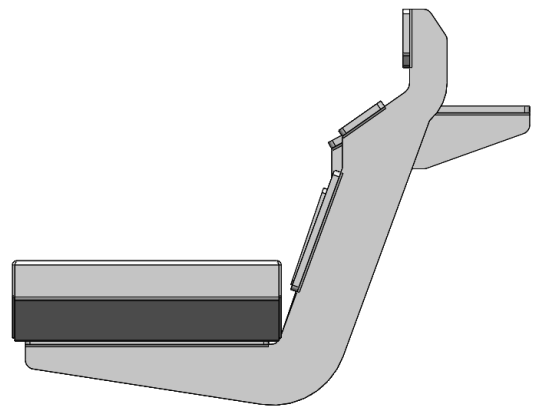
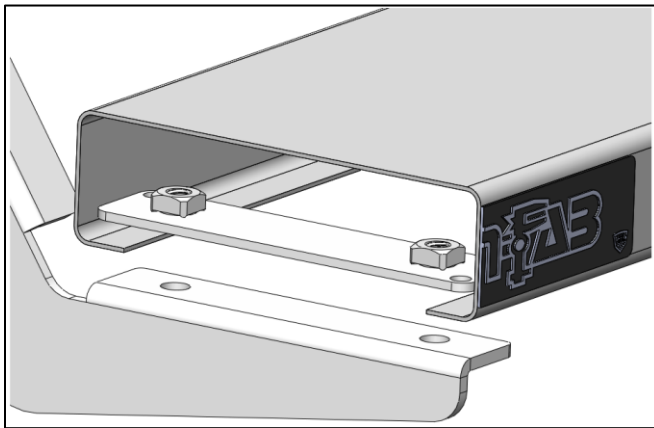


Step 5: Insert the supplied threaded brackets (x3) inside the running board lip over the top of each bracket.

Step 6: With the supplied 3/8" x 1" hex bolts, secure each mounting location and leave loose.

Step 7: After final adjustment, tighten all running board threaded mounts.

Step 8: Next, adjust rocker panel brackets so the running board is level with body of the vehicle and tighten all factory-mounting locations.



Step 9: Repeat with passenger side.