

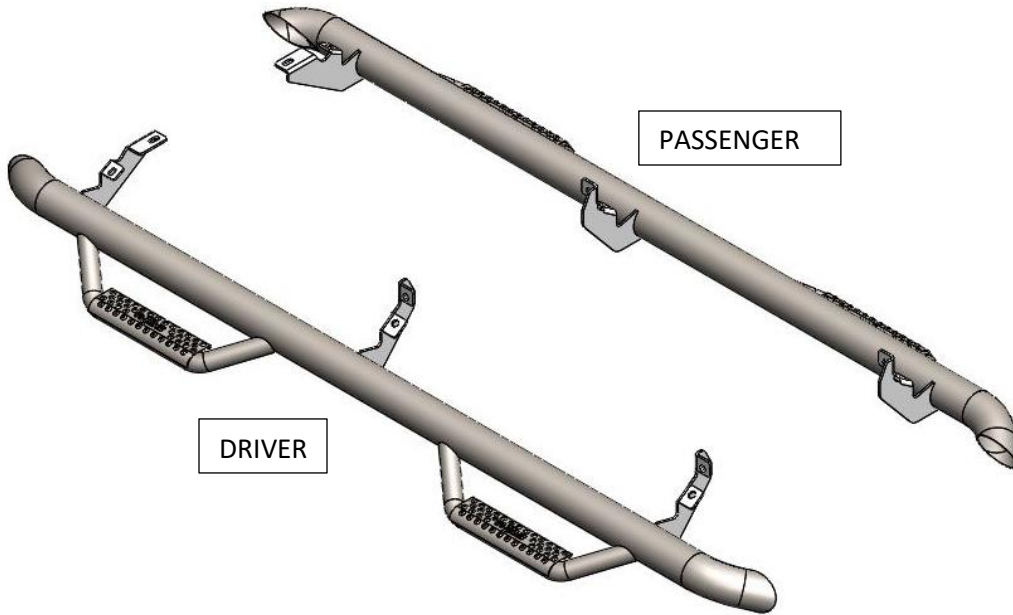
HARDWARE DESCRIPTION		QTY.
HWKT-04239X		
FHLB 04240X	M10x25mm HEX FLANGED BOLT	12



PARTS INCLUDED	QTY
DRIVER SIDE	1
PASSENGER SIDE	1

N-FAB NERF STEP SYSTEM

STEP 1: Identify driver side step.



STEP 2: Remove any factory running boards or hardware and discard.

STEP 3: Clean/tap the three factory threaded mounting locations.



STEP 4: Carefully place step into place and loosely fasten using the supplied M10X25mm hardware.



Step 5: Next, tighten the three lower bolts first following with the three upper bolts.

Step 6: Repeat steps 2-5 with passenger side.

Step 7: Your install is now complete.