

# JKS<sup>®</sup>

## INSTALLATION INSTRUCTIONS

Product: Rear Trackbar Brace

Part Number: JKSOGS169

Applications: Jeep Wrangler JK, 2007+ (rear)

517-278-1226 • tech@jksmfg.com • www.jksmfg.com  
491 W. Garfield Avenue, Coldwater, MI 49036



### Welcome

CONGRATULATIONS on purchasing a new Rear Trackbar Brace from JKS Manufacturing. We are committed to providing you with the best products available and your satisfaction is our first priority.

PLEASE READ these Installation Instructions carefully, and save them for future reference, as they contain important installation and maintenance information.

### Tools Required

- Metric/Standard Socket Wrench Set
- Torque Wrench
- Die Grinder with Sanding Wheel (or equivalent tool for removing paint)
- Welding Equipment
- Weldable Corrosion Resistant Coating,
- 3M<sup>®</sup> PN 05917 (or equivalent)
- Satin Black Spray Paint
- Anti-Seize Lubricant
- Factory Service Manual (recommended)

\* Asterisk denotes tools that are not required for some applications. Thoroughly read instructions first to determine which tools will be required for your application.

### Important

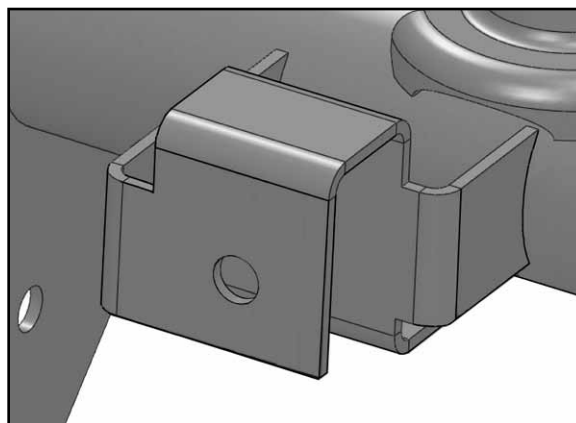
**INSTALLATION REQUIRES WELDING** by a qualified welder or metal fabricator.

### Installation

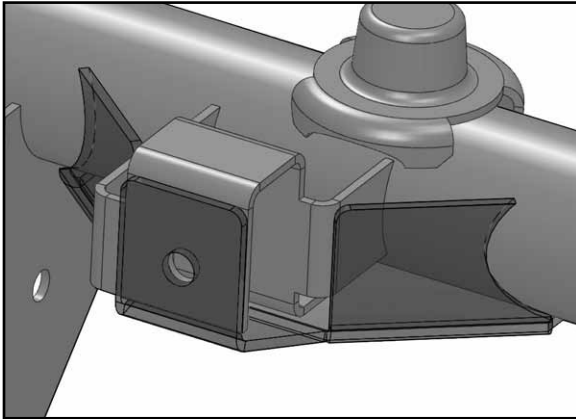
- **1. REMOVE REAR TRACK BAR**
  - Remove rear track bar mounting hardware from axle and chassis brackets per factory service manual instructions for your vehicle. Retain original hardware.
  - Remove rear track bar from vehicle.
  - Prime entire surface of Trackbar Brace with 3M<sup>®</sup> Weldable Corrosion Resistant Coating (or equivalent – must be weldable).

---

- **2. PREPARE AXLE FOR WELDING**
  - To ensure a proper fit, clean any dirt, debris or grease from surface of factory track bar bracket.

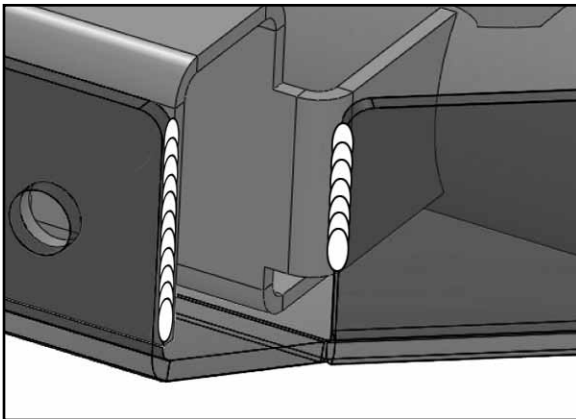


- Slide Trackbar Brace over factory track bar bracket as illustrated below. Make sure hole in Trackbar Brace aligns with bolt hole in factory track bar bracket. **HINT:** The snug fit should hold the brace in position for welding.

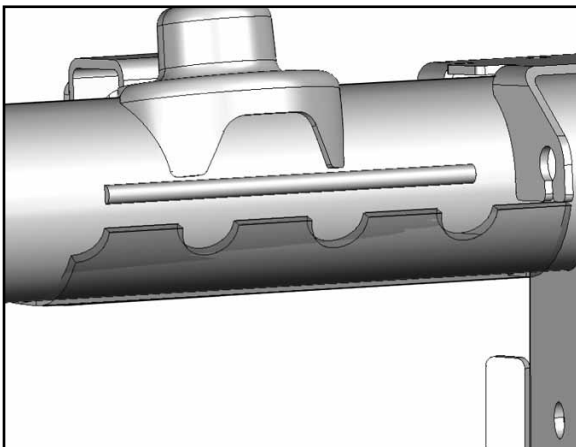


**IMPORTANT:** The Trackbar Brace must be welded to bare metal. Remove any paint, rust or other contaminants before welding.

- Thoroughly clean locations marked by an "X" on both sides of factory track bar bracket.

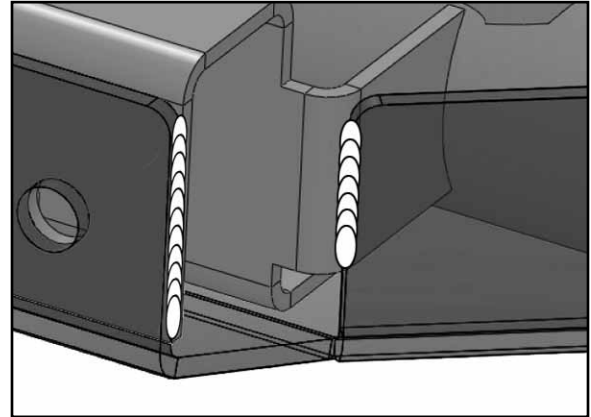


- The indicated locations on back side of axle must also be prepared for welding. **HINT:** A die grinder with sanding wheel or similar tool is useful for removing paint from axle housing. This step may be easier with the Trackbar Brace temporarily removed.



### □ 3. WELD TRACKBAR BRACE TO AXLE HOUSING

- With Trackbar Brace correctly positioned over factory track bar bracket, tack weld the brace to the axle housing.
- Next, fillet weld Trackbar Brace to axle housing in locations indicated in the previous section.



**IMPORTANT:** Avoid overheating axle tube by allowing the surface to cool off regularly.

- Once all welding is complete, spray paint entire Trackbar Brace and any bare metal on axle housing to prevent corrosion. All exposed metal must be completely covered.

### □ 4. REINSTALL REAR TRACK BAR

- Apply anti-seize lubricant to bolt threads of original track bar mounting hardware.
- Insert axle end of track bar into reinforced axle bracket first. Loosely install original mounting hardware.
- Mount chassis end of track bar and loosely install original mounting hardware.

**IMPORTANT:** Vehicle must be on level ground with coil springs supporting the full vehicle weight before mounting hardware is tightened.

- Using a torque wrench, tighten mounting hardware at both ends of track bar to 125 ft-lbs.

## Maintenance

Check torque specifications regularly.

©2013 JKS Manufacturing, Inc & Aftermarketing, LLC  
Revision Date 11/1/2013