



Installation Instructions

'15 Chevy/GMC HD Large Frame Winch Mount

Product Number: N3060

Application: '15 CHEVY/GMC HD

SAFETY

Your safety and the safety of others is very important.

- In order to help you make informed decisions about safety, we have provided installation instructions and other information.
- These instructions alert you to potential hazards that could hurt you or others.
- Please do a job safety analysis (JSA) before each task to identify potential hazards for your situation and remove/protect against them.
- You must use your own good judgment, and take your time.

Read and understand all safety precautions and instructions before installing this product.

THIS PRODUCT IS FOR OFFROAD USE ONLY. ALL LIABILITY FOR INSTALLATION AND USE RESTS WITH THE OWNER.

CARELESS INSTALLATION AND OPERATION CAN RESULT IN SERIOUS INJURY OR EQUIPMENT DAMAGE.

Injury hazard

Failure to observe these instructions could lead to severe injury or death.

- Always remove jewelry and wear eye protection.
- Always use extreme caution when jacking up a vehicle for work. Set emergency brake and use tire blocks. Locate and use the vehicle manufacturers designated lifting points. Use jack stands.
- Always use appropriate and adequate care in lifting components into place.
- Always insure components will remain secure during installation and operation.
- Always wear safety glasses when installing this kit. A drilling operation will cause flying metal chips. Flying chips can cause serious eye injury.
- Always use extreme caution when drilling on a vehicle. Thoroughly inspect the area to be drilled (on both sides of material) prior to drilling, and relocate any objects that may be damaged.
- Always use extreme caution when cutting and trimming during fitting.
- Always tighten all nuts and bolts securely per installation instructions.
- Always route electrical cables carefully. Avoid moving parts, components that become hot and rough or sharp edges.
- Always insulate and protect all exposed wiring and electrical terminals.
- Always perform regular inspections and maintenance on mounts and related hardware.





Installation Instructions

'15 Chevy/GMC HD Large Frame Winch Mount

Product Number: N3060

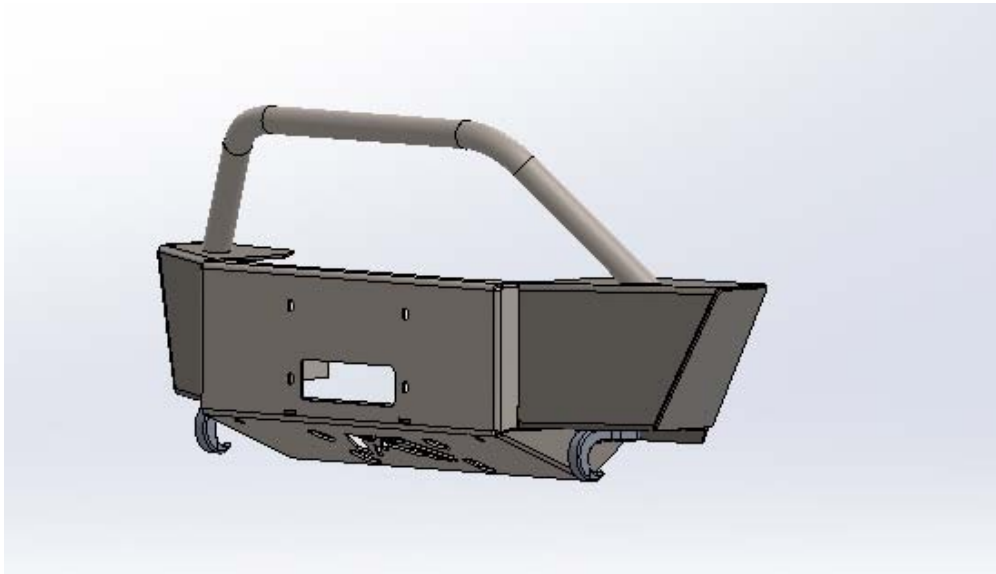
Application: '15 CHEVY/GMC HD

I. Overview

Congratulations on your new purchase of the industries' best and most stylish Winch Mount available for the 2015 Chevy AND GMC Heavy Duty! This Winch Mount has been engineered for strength while keeping the weight down.

Your Front Bumper designed in 3-D from digitized data, CNC laser cut, fabricated, and powder coated... all in the U.S.A.

Enjoy the fit and finish of a quality CHEVY/GMC HD Winch Mount from FabFours Inc.





Installation Instructions

'15 Chevy/GMC HD Large Frame Winch Mount

Product Number: N3060

Application: '15 CHEVY/GMC HD

Parts List

- N3060 replacement bumper
- N3060-HW fastener kit
- 2x tow hooks
- N3060 Instruction Manual

Tools Required

- Socket Wrench with Extension (Ratcheting wrenches may also be convenient)
- 19mm, 3/4 Sockets with Ratchet and Box End Wrenches
- Floor Jack and wood block.
- 9/16 drill bit w/ drill

II. Removal of OEM Tow Hook

Note: Save all OEM parts

- A. Tow hooks are bolted to frame, on each side of truck, with two bolts requiring a 19mm wrench and socket to remove. Tow hooks are then slid out of frame and through tow hook holes located in front of bumper. (Ref. Figure 1).



Figure 1a (TOW HOOK HOLE W/ OEM TOW HOOK)





Installation Instructions

'15 Chevy/GMC HD Large Frame Winch Mount

Product Number: N3060

Application: '15 CHEVY/GMC HD

III. Installation

- A. Mount bracket to truck frame. First, thread but leave loose the two 1/2" bolts that pass through the side of the frame. One 1/2" bolt passes through the bottom of the frame and should be hand tightened (Ref. 8a-b). Mount on both sides. If holes on the side of frame are out of tolerance then enlarge hole with 9/16 drill as needed on side of frame.



Figure 8a (SIDE MOUNTING BOLT LOC.)



Figure 8b (BOTTOM MOUNTING BOLT LOCATION)

- B. Mount bracket to Winch Mount. With the help of at least two others, and possibly a floor jack, to support the center of the bumper, lift the Fab Fours bumper into place.
- C. Run bolts through Fab Fours provided tow hooks and insert the bolts from the bottom facing up (Ref. 9a). Do Not Fully Tighten, Hand Tighten Only!





Installation Instructions

'15 Chevy/GMC HD Large Frame Winch Mount

Product Number: N3060

Application: '15 CHEVY/GMC HD



Figure 9a

- D. **Align the winch mount side to side to ensure a perfect fit to the truck.**
- E. **Fully tighten all fasteners!**
- F. **Enjoy your New Front Replacement Bumper from Fab Fours!**





Installation Instructions

'15 Chevy/GMC HD Large Frame Winch Mount

Product Number: N3060

Application: '15 CHEVY/GMC HD

Maintenance/Care

- Periodically check and tighten all fasteners.
- Stripped, fractured, or bent bolts or nuts need to be replaced.
- After washing of the vehicle make sure to fully dry all surfaces

