



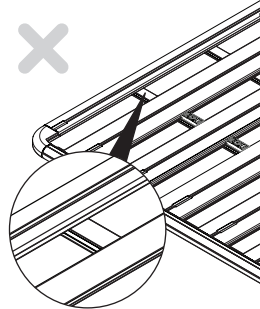
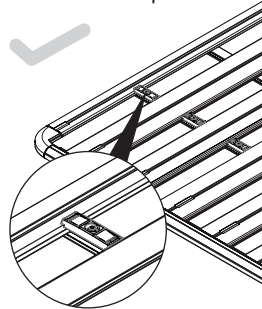
RHINO-RACK

43256 - Pioneer Corner Bracket

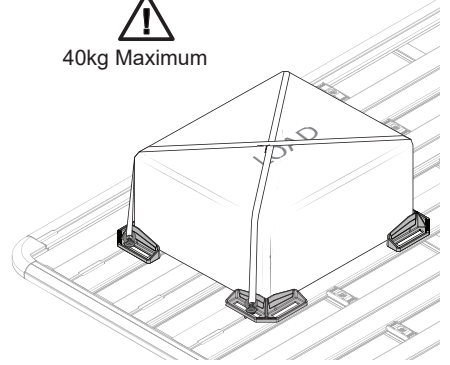
Warning:

- Use only non-stretch fastening ropes or straps.
 Exercise care when transporting wind-resistant loads. Special consideration must be taken when cornering or braking.
 - Please refer to your vehicle manufacturers handbook for maximum carrying capacity.
 Do not "overload". A safety factor of 1.5 is required for off-road use.

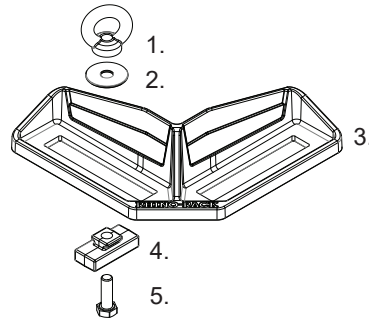
Side Tab Kit required.




 40kg Maximum

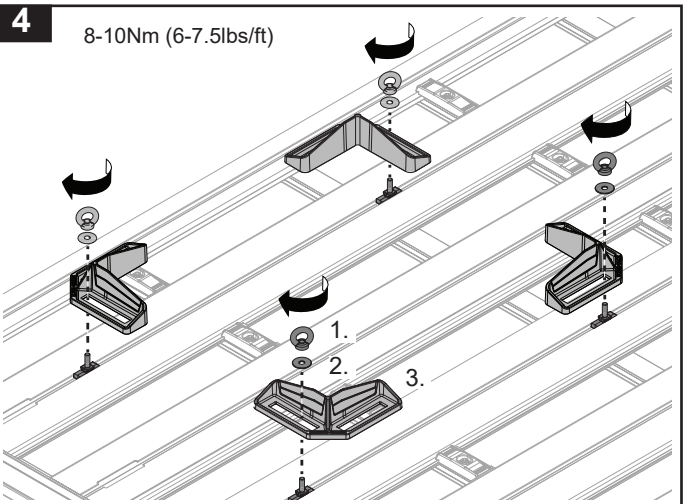
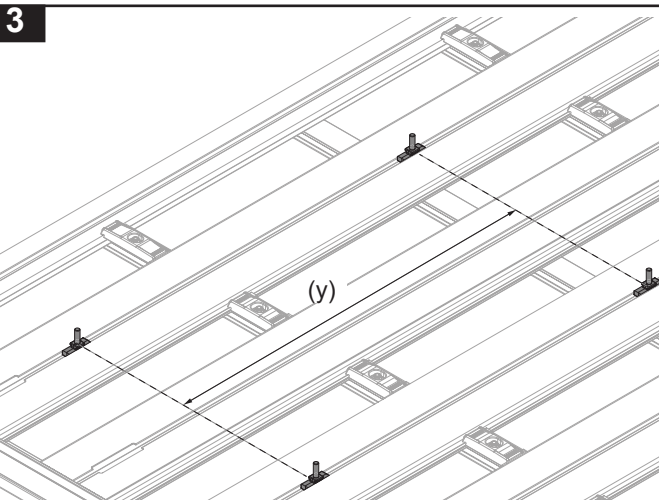
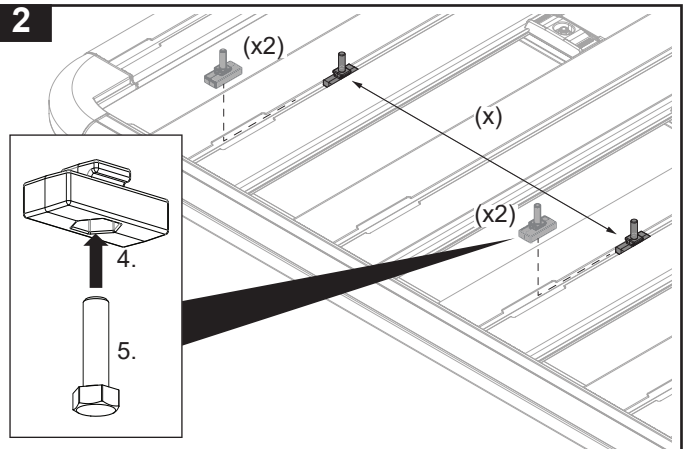
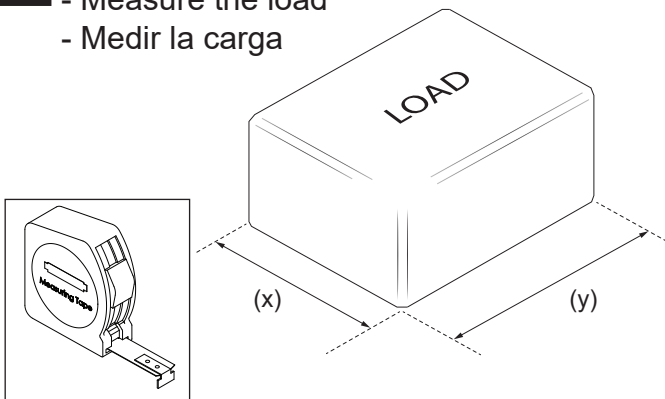


Item	43256	Qty	Part No.
1	Eye-nut	4	C079
2	M8 x 30mm x 2mm Washer	4	C949
3	Corner Bracket	4	CA1787
4	Corner Anchor	4	CA1788
5	M8 x 25mm Hex Bolt	4	B169
6	Instructions	1	R1845



Instructions

1 - Measure the load
 - Medir la carga



22 Hanson Place, Eastern Creek,
 NSW 2766, Australia.
 (Ph) (02) 8846 1900

Document No: R1842
 Prepared By: Kayle Everett
 Authorised By: Adam Conellan

Fit Time: 10min
 Issue No: 01
 Issue Date: 12/03/2019

43256 - Pioneer Corner Bracket

5

