

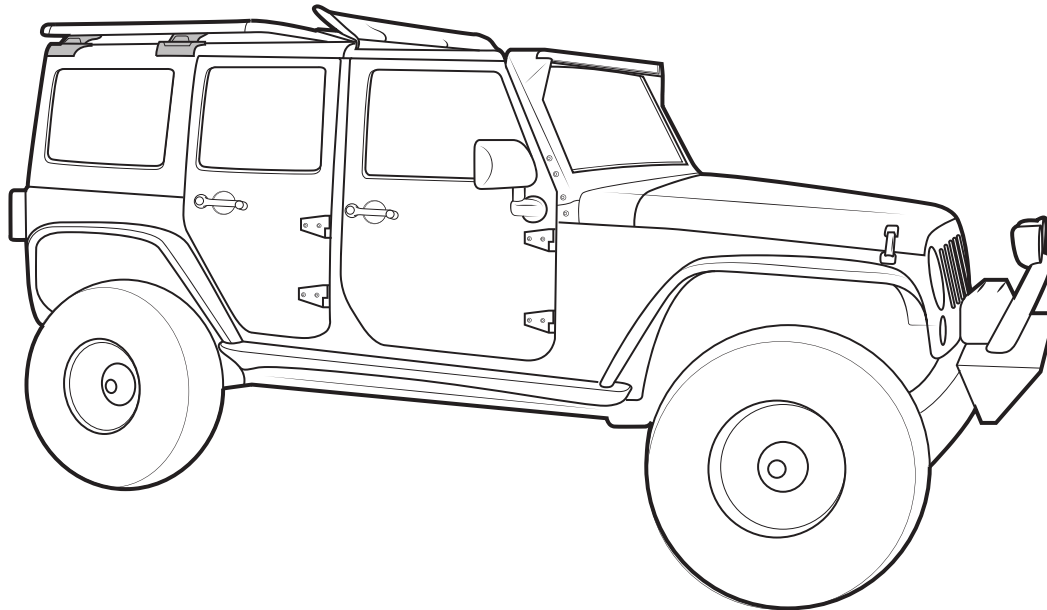


RHINO-RACK



Jeep JK 4dr Rear Mount Backbone - RJKB3

Fit Time: 1.5 Hours



IMPORTANT INFORMATION

Maximum carrying capacity:

Suitable Pioneers	On Road Cargo Allowance	Off Road Cargo Allowance	Static Allowance	Roof Allowance	Rack Weight
42121BF	81.5kg / 179lbs	54kg / 119lbs	240kg / 530lbs	100kg/ 220lbs	18.5kg / 40lbs

- Off Road:** Any driven path taken that is not on sealed (tarred / bitumen) and maintained
- Roof Allowance:** Total permissible weight attached to the roof of the car. This is inclusive of the weight of the roof rack system
- Cargo Allowance:** Total permissible weight allowed on top, and attached to roof racks whilst the vehicle is in motion
- Static Allowance:** Total permissible weight allowed on top, and attached to roof racks whilst the vehicle is stationary
- Please refer to your vehicle manufacturers handbook for maximum carrying capacity. Always use the lower of the two figures. Load must be evenly distributed over the entire Pioneer. Weight of roof rack accessories is to be included in cargo allowance.

Torque settings

Unless stated otherwise in these instructions, all fasteners should be set to the following torque settings -
M6: 4-5Nm (3-4lbs/ft), M8: 8-10Nm (6-7.5lbs/ft) and M10: 16-18Nm (12-13lbs/ft).

Warning:

- Check Part No. and/ or Kit is correct for use with your vehicle
- Do not attempt to fit the rack system to your vehicle unless you fully understand these fitting instructions. Please direct any questions regarding fitting to the dealer from where the roof racks were purchased.
- **Use only non-stretch fastening ropes or straps.**
- The handling characteristics of the vehicle changes when you transport a load on the roof. For safety reasons we recommend you exercise extreme care when transporting wind-resistant loads. Special consideration must be taken into account when cornering and braking.
- Although the system is tested and approved to AS1235-2000 / ISO 11154, off-road conditions can be much more rigorous. Extreme care must be taken in off road conditions

Recommendations:

It is essential that all bolt connections be checked after driving a short distance when you first install your roof racks. Bolt connections should be checked again at regular intervals (once a week is enough, depending on road conditions, usage, loads and distances travelled). You should also check the roof racks each time they are re-fitted. Always make sure to fasten your load securely. Please also ensure that all loads are evenly distributed and that the centre of gravity is kept as low as possible and must be entirely contained within the extents of the roof racks.

Note for Dealers and Fitters:

It is your responsibility to ensure these fitting instructions are given to the end user or client

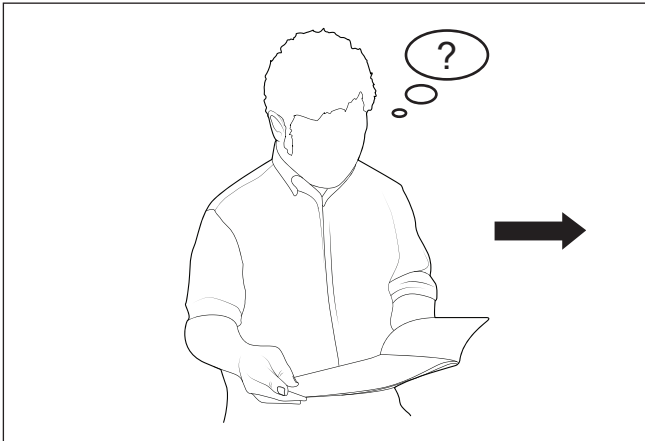
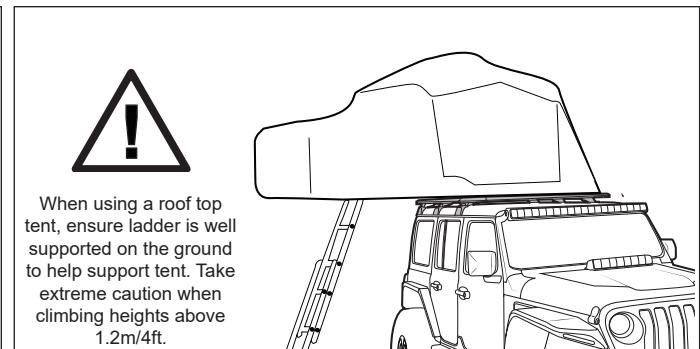
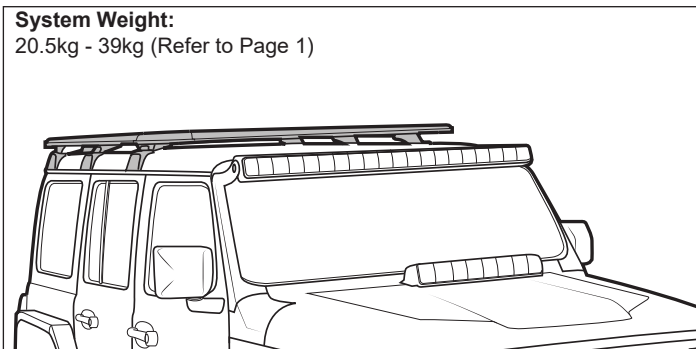
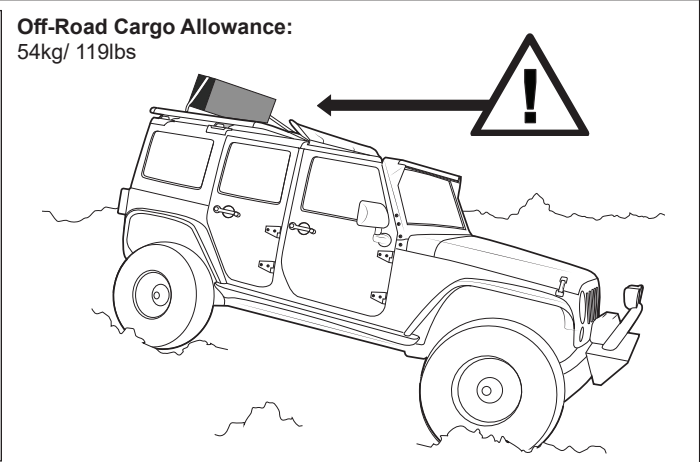
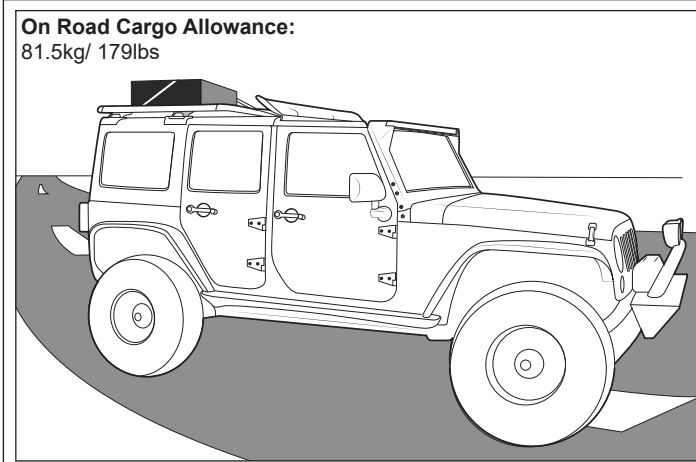
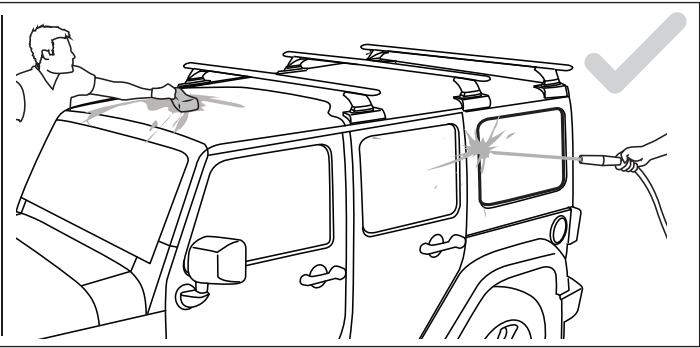
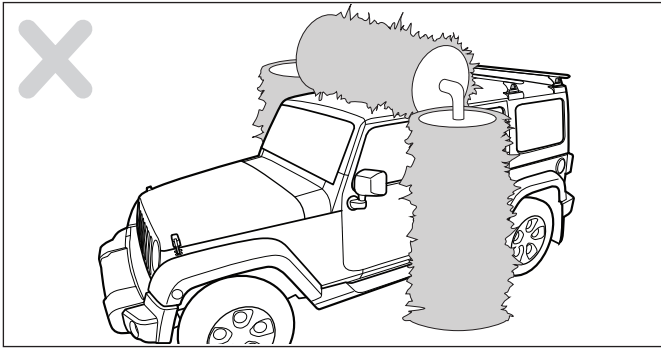
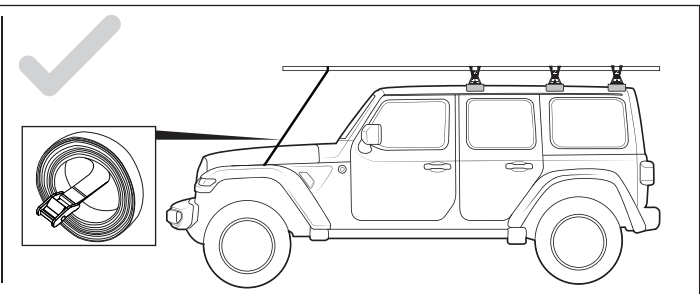
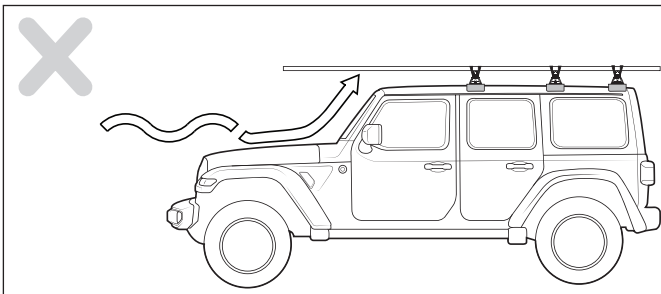
Rhino-Rack, 22 Hanson Pl, Eastern Creek
NSW 2766, Australia
(02) 8846 1900
rhinorack.com.au

Document No: R1729
Issue No: 02
Issue Date: 10/05/2019

These instructions remain the property of Rhino-Rack Australia Pty. Ltd. and may not be used or changed for any other purpose than intended.

RHINO-RACK

Jeep JK 4dr Rear Mount Backbone - RJKB3



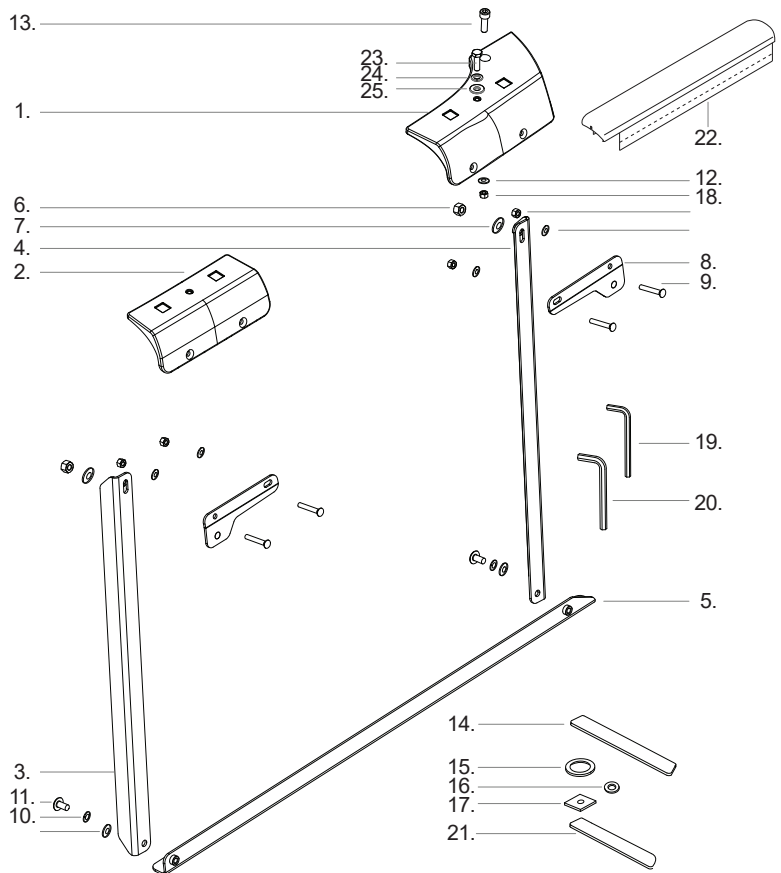
RHINO-RACK

Jeep JK 4dr Rear Mount Backbone - RJKB3

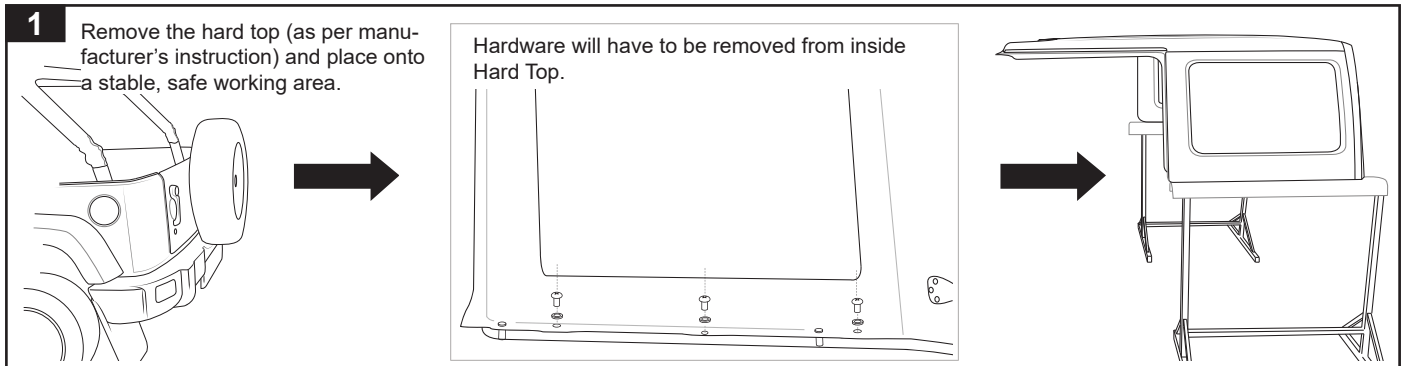
Parts List

Item	Frame Components	Qty R	Qty L	Part No.
1	Rear Bracket	1	1	CA1274
2	Middle Bracket	2		CA1275
3	Internal Support Vertical F	2		CA1279
4	Internal Support Vertical R	2		CA1280
5	Internal Support Base	1	1	CA1281

Item	Component Name	Qty	Part No.
6	M8 Nyloc Nut Black	4	N043
7	M8 Flat Washer Black	8	CA1068
8	Bracket Fixture Plate LHRH	4	CA1282
9	M6 x 30 Counter Sunk HD Bolt Blk	8	B211
10	M8 Spring Washer Black	4	W019-Blk
11	M8x20 Hex Setscrew Black	4	B020-Blk
12	M6 Flat Washer Black	10	W054-Blk
13	M6 x 30 Socket HD with O-Ring	2	B210
14	Middle Bracket Foam	2	CA1284
15	Bracket O Foam L	2	CA1285
16	Bracket O Foam S	8	CA1286
17	Bracket Foam Square	2	CA1287
18	M6 Nyloc Nut Blk	10	N069
19	4mm Allen Key	1	H001
20	5mm Allen Key	1	H002
21	End Bracket Rear Foam	2	-
22	Protective Foam	2	RJKPF
23	M6 x 20mm Hex Bolt	4	B082
24	M6 Spring Washer	4	W004
25	M6 Flat Washer	4	W031
26	Instructions	1	R1729






Backbone installation



2a Assemble the Support Struts as shown. Finger tighten. Check part ID to make left and right side supports.

Two holes close together denote the rear of the support base.

-  M8 x 20mm Security screw
-  M8 Spring Washer
-  M8 Flat Washer

2b Attach item 12 to the arms as shown, using an M8 washer and M8 Nyloc nut. Finger tighten.

RH Bracket

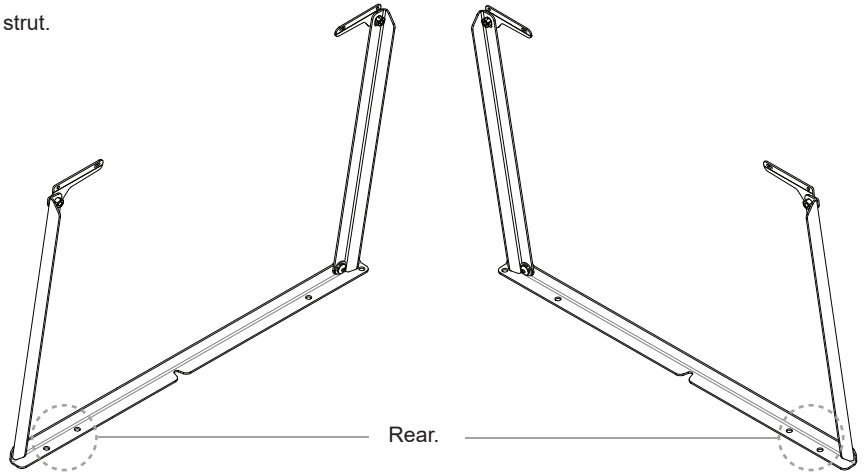
LH Bracket

Rear.

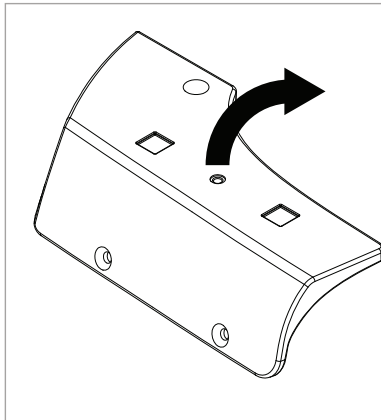
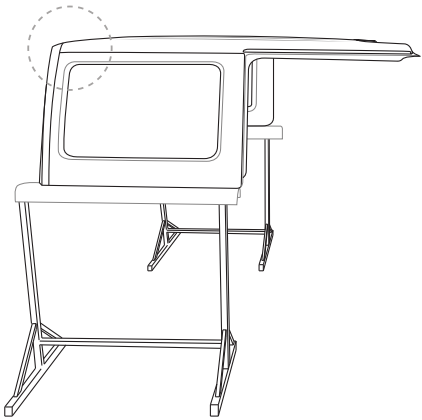
RHINO-RACK

Jeep JK 4dr Rear Mount Backbone - RJKB3

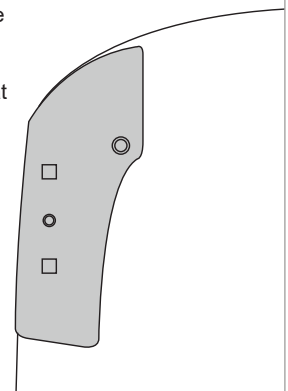
3 Repeat the process for for the opposing support strut.



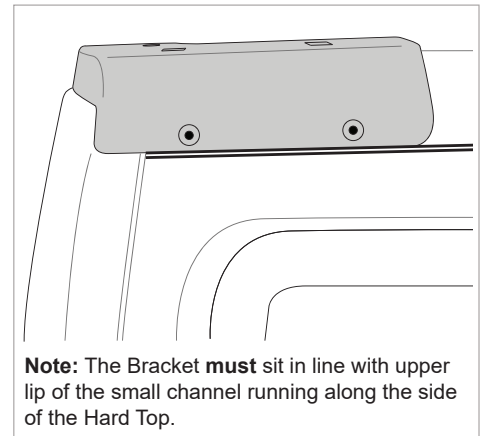
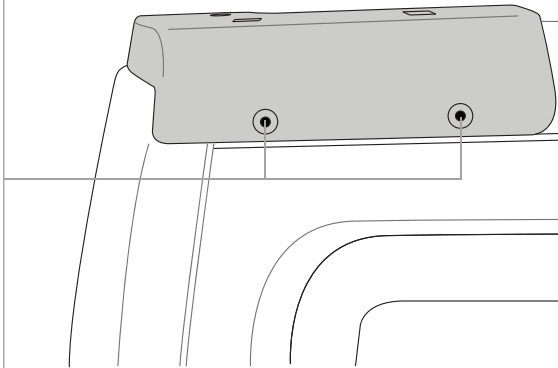
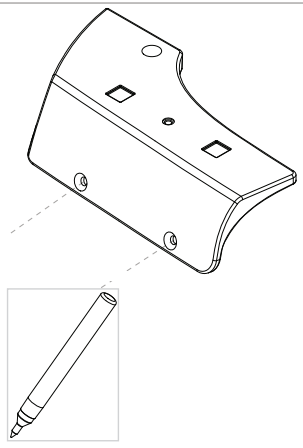
4 Align the REAR bracket with the REAR of the hard top. Line the bracket flush with the contour of the hard top as shown.



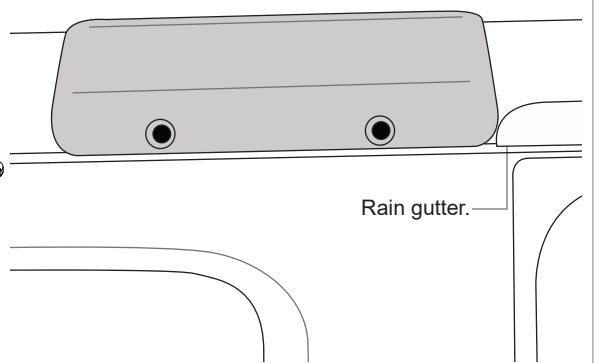
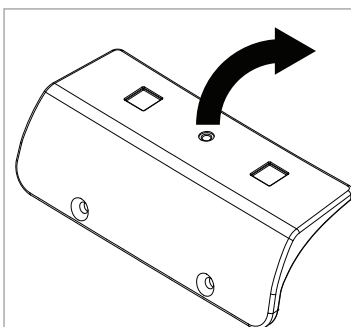
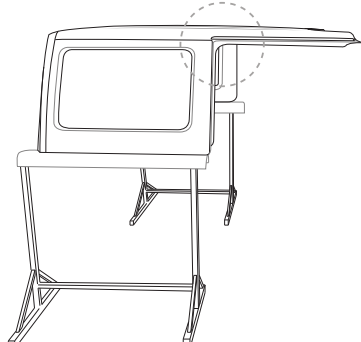
Bracket top view: Note the bracket sits flush against the side of the canopy but does not at the rear.



5 With bracket aligned, spot mark the bracket position as shown. It is important to be accurate when marking. Always mark the centre of the hole.



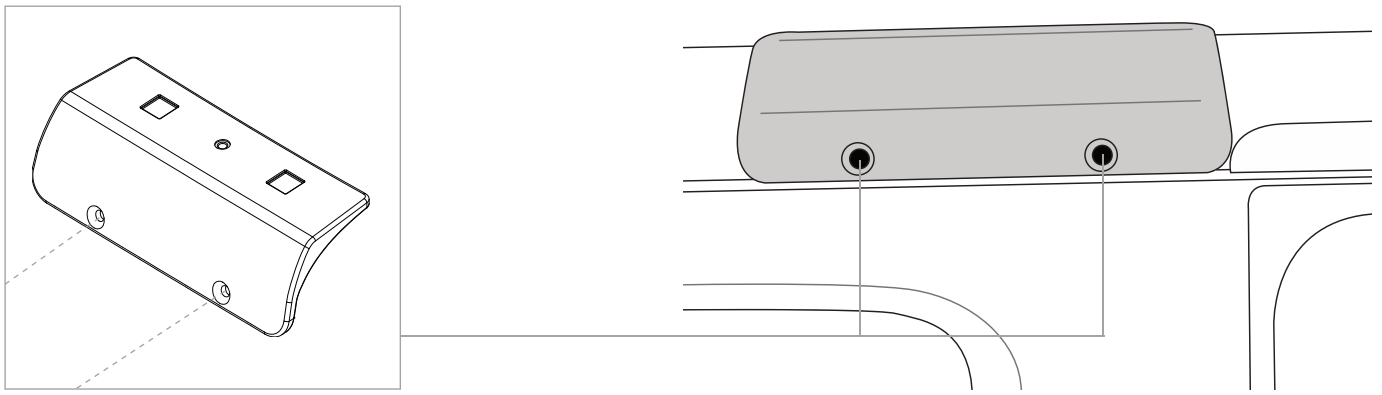
6 Align the centre bracket **against** the rain gutter on the hard top.



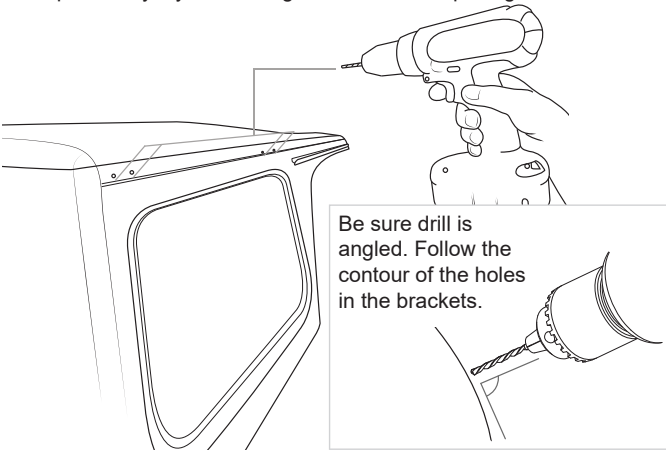
RHINO-RACK

Jeep JK 4dr Rear Mount Backbone - RJKB3

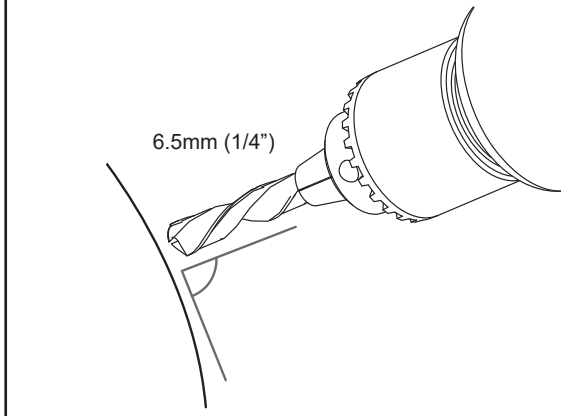
7 With the Centre Bracket aligned, spot mark the bracket position as shown.



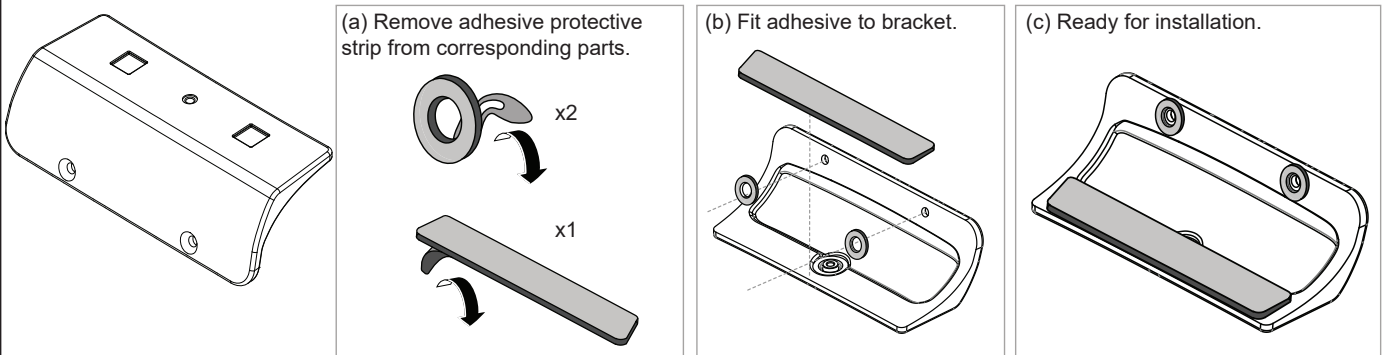
8 Using a 3mm (1/8") drill bit, spot drill **ALL** spot marks previously layed out. Angle drill when completing.



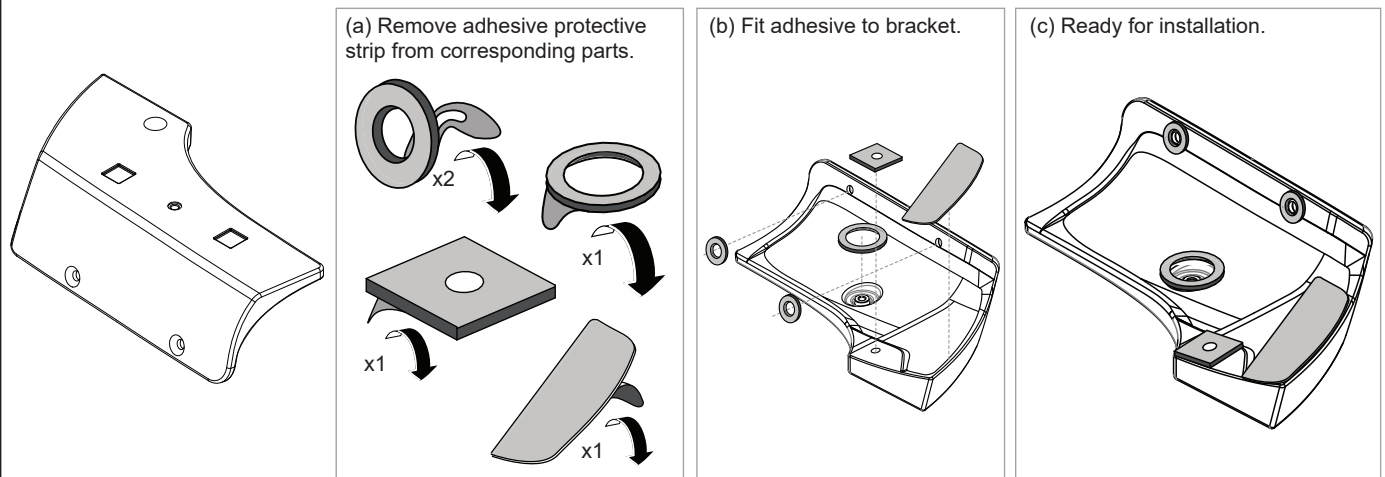
9 Using a 6.5mm (1/4") drill bit, drill out the **REAR** and **MIDDLE** spot drilled sections on the Hard Top.



10 With relation to the Centre Bracket, take corresponding foam pads and remove the protective strip as shown. Fit to bracket.



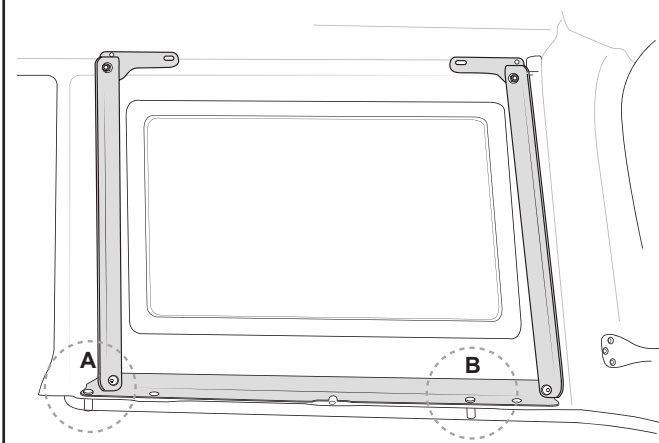
11 With relation to the Rear Bracket, take corresponding foam pads and remove the protective strip as shown. Fit to bracket.



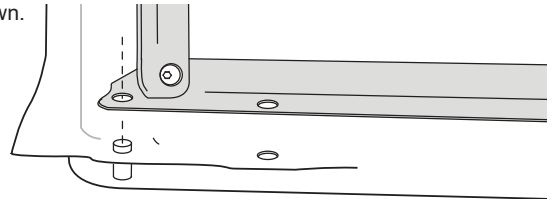
RHINO-RACK

Jeep JK 4dr Rear Mount Backbone - RJKB3

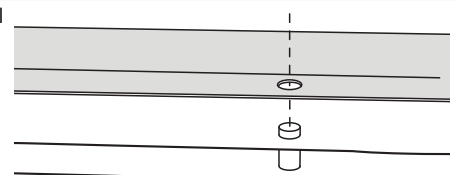
12 With assistance to hold the Support Strut in place, set the assembly on the inside of the Hard Top as shown.



A. The Support Strut will slot onto the Hard Top studs as shown.

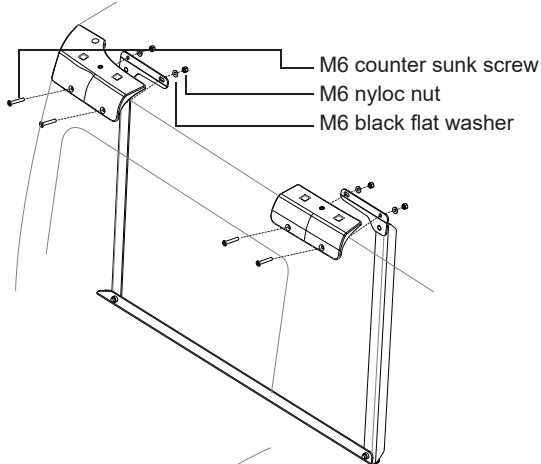


B. The Support Strut will slot onto the Hard Top studs as shown.

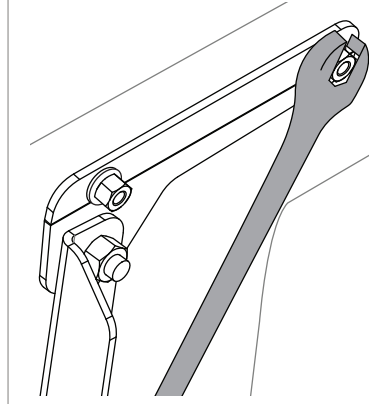


13 With assistance to hold the Support Strut in place, move to the outside of the Hard Top. Place the REAR Bracket in place. Insert M6 counter sunk screws, fastening from the inside with M6 black flat washers and M6 Nyloc nuts. Hold the nyloc nuts in place with a 10mm spanner. Tighten from the outside with a 4mm allen key. Repeat this process for the CENTRE Bracket.

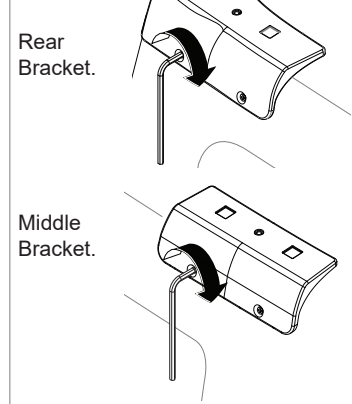
1. Assemble as shown. Finger tighten to fix in place.



2. Hold Nyloc Nut with a spanner, allowing the bracket to be tightened from the outside.

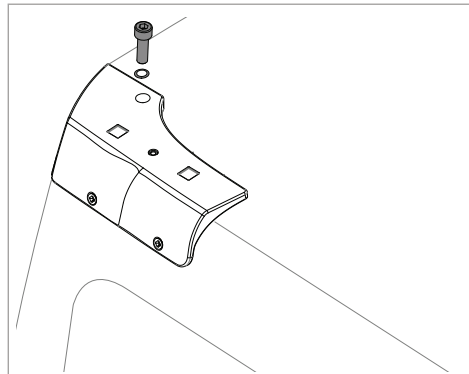
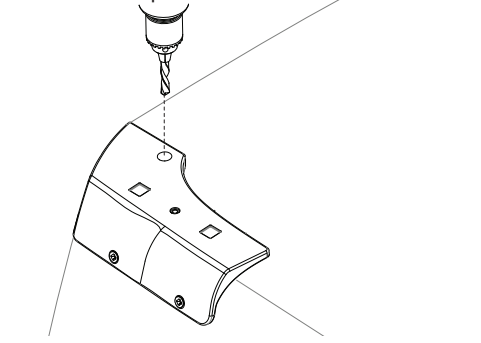


3. Fix with a 4mm Allen Key.

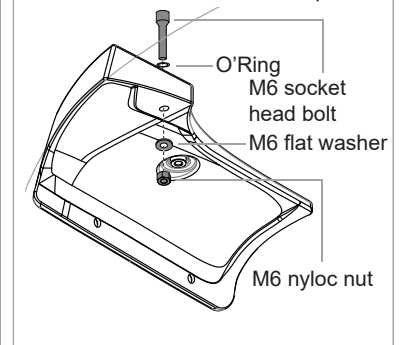


14 With Rear Bracket now secure, drill out the top fixture point with a 6.5mm (1/4") bit. Use an M6 socket HD bolt with O'ring, an M6 flat washer and an M6 nyloc nut to fix the bracket.

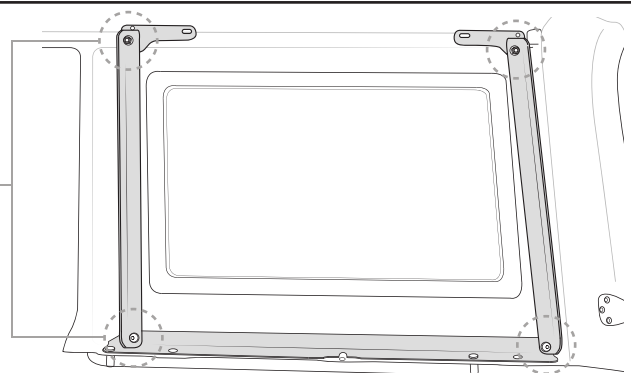
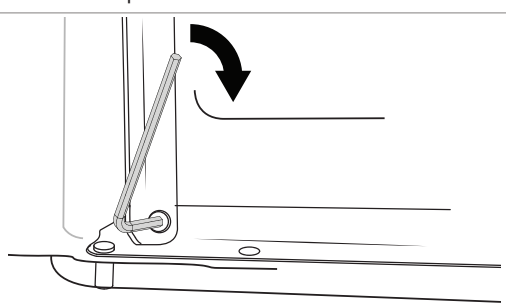
Drill out fixture point.



View from inside Hard Top



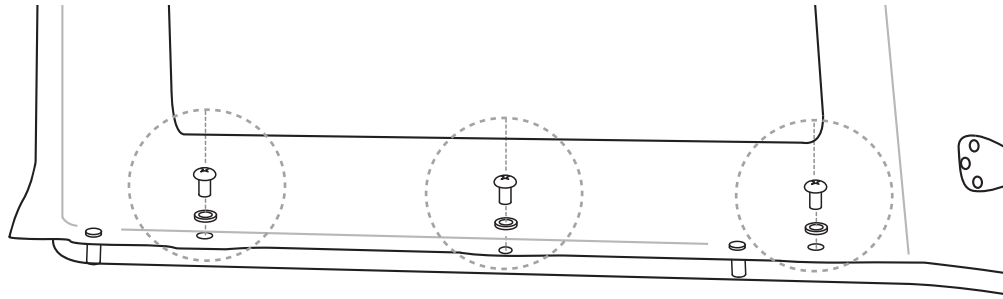
15 Tighten supports with a 5mm allen key. Top of supports will require a 13mm spanner.



RHINO-RACK

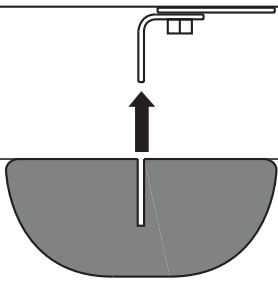
Jeep JK 4dr Rear Mount Backbone - RJKB3

16 Place the Hard Top back onto the Jeep (refer to manufacturers instructions). Replace the hardware removed in step 1 on both sides of the inner Hard Top.

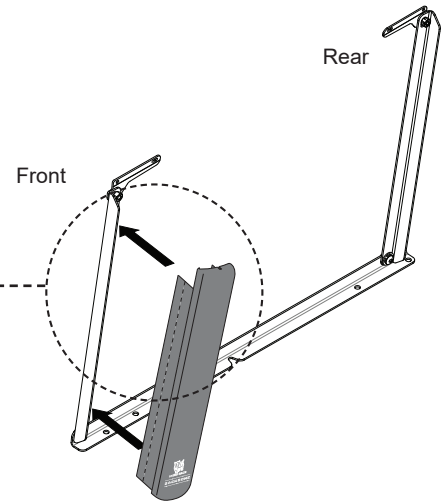


17 Push the pad over the support bracket of the backbone.

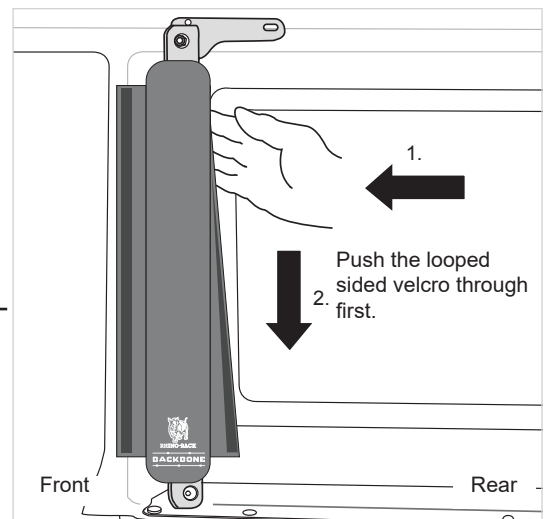
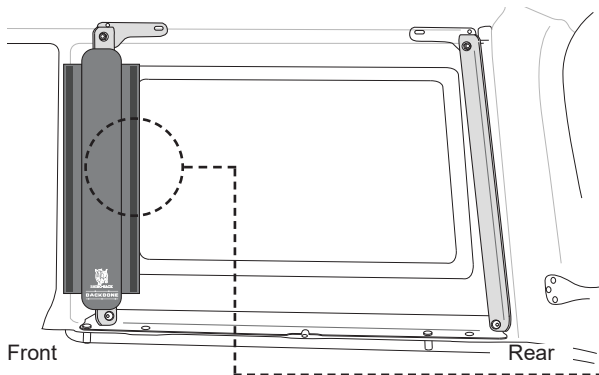
Top View:



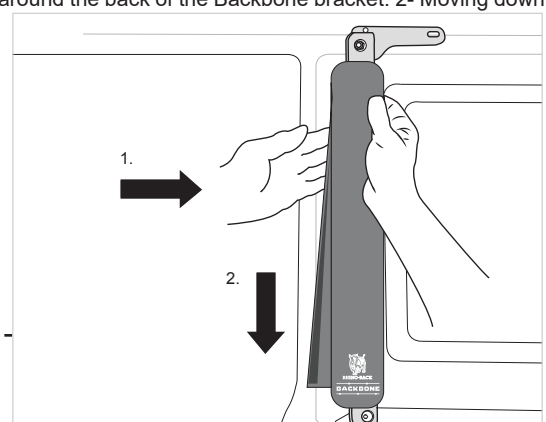
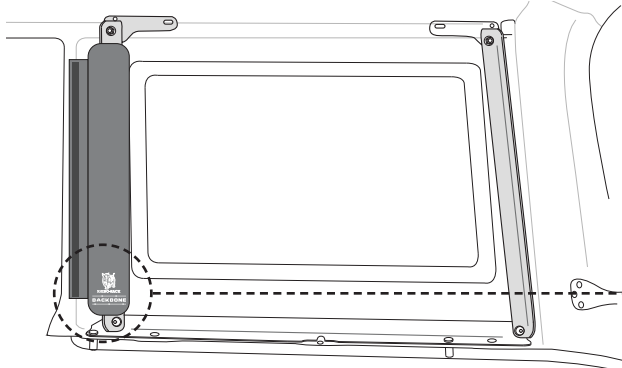
Note: Pads are to be fitted on the front supports of the Backbone only.



18 With the pad in place, starting at the top of the 'looped' side of the velcro: 1- Push the velcro around the back of the Backbone bracket. 2- Moving down the pad, push the remainder of the velcro into place.



19 Hold the looped velcro in place (as in previous step). 1- Push the remaining velcro around the back of the Backbone bracket. 2- Moving down the pad, push all of the velcro into place. Be sure velcro is secure before driving.

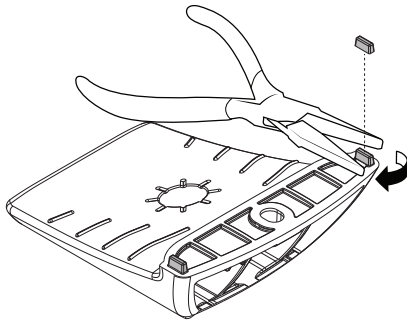


RHINO-RACK

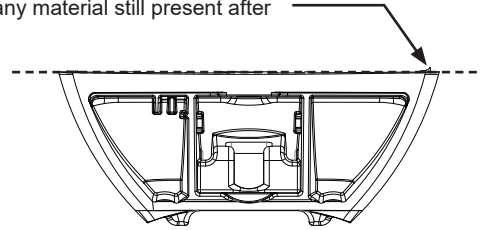
Jeep JK 4dr Rear Mount Backbone - RJKB3

Leg/ Pioneer installation

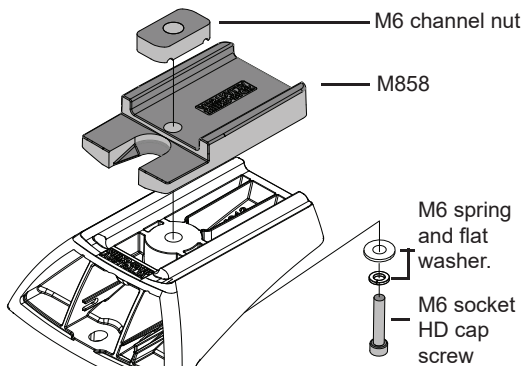
20 The legs of the system must have their locator tabs removed before installing them to the vehicle. Using pliers, grip and twist off the two tabs on the underside of the legs. File down any additional material as required.



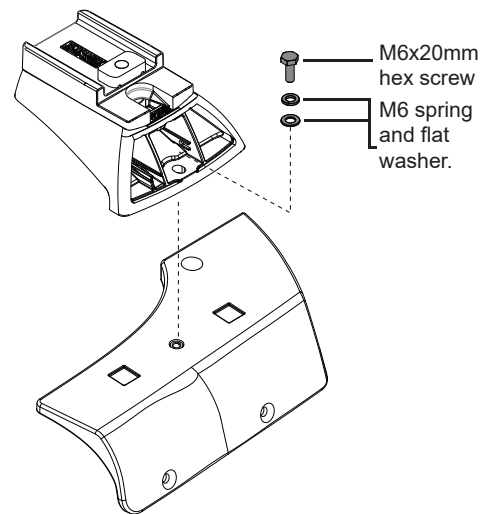
The underside of the leg should be flat. File down any material still present after cutting.



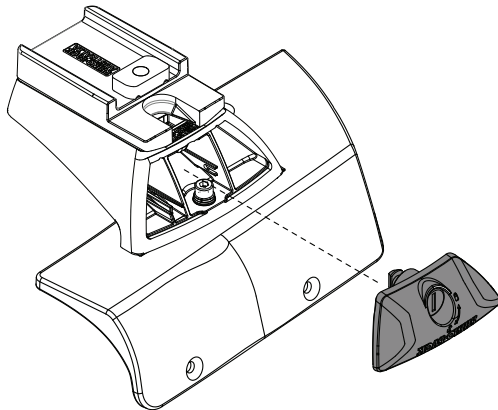
21 To fit legs to pioneer trays, QMPS10 must be purchased as separate. Install the spacer kit as shown.



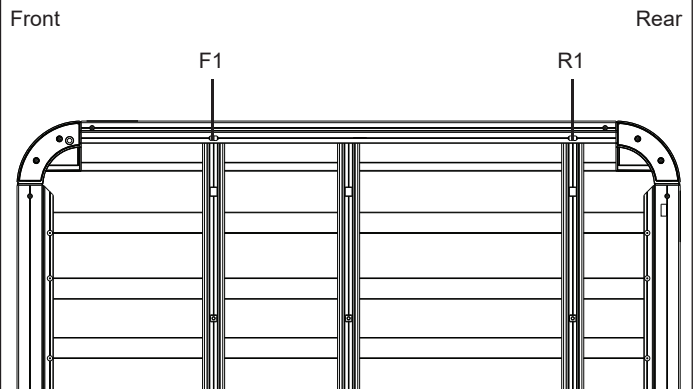
22 Install the legs to the backbone (rear leg shown).



23 Install the cover plates to the legs. Lock in place with the metal key provided in leg kit.



24 Install the pioneer underbars in the slots indicated. Place the platform onto the vehicle.



25 Once Pioneer underbars have been aligned properly over the channel nuts on the legs, tighten all hardware using the allen key provided. Ensure channel nut has rotated within Pioneer underbar and is fixing Pioneer securely.

