



n-fab.com

a TRUCK HERO company



I-SHEET PART NUMBER: INST-00207  
 PART NUMBER: TSF19CC-TX  
 PRODUCT: TRAIL SLIDER  
 APPLICATION: 19-20 FORD RANGER CREW CAB

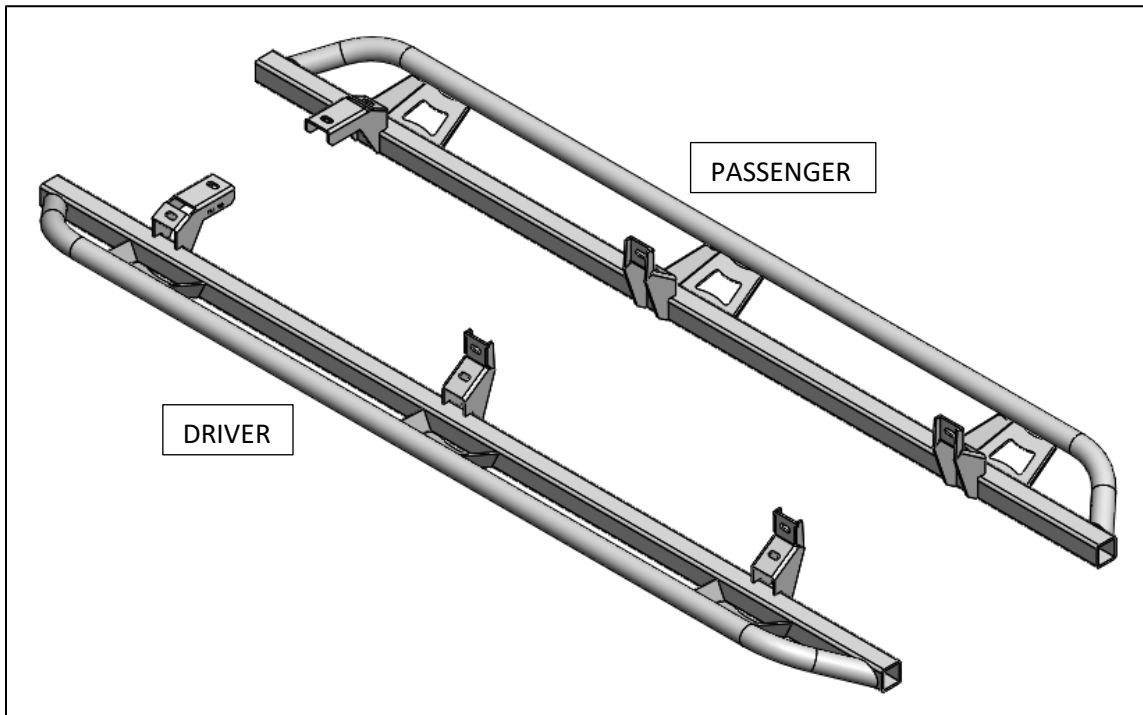
HARDWARE DESCRIPTION		QTY.
HWKT-04239X		
FLHB-04240X	M10-1.5 X 25MM CLASS 8.8 HEX HEAD FLANGE BOLT	12

PARTS INCLUDED		QTY
Driver side slider		1
Passenger side slider		1



# TRAIL SLIDER

**Step 1:** Locate Driver side slider



**Step 2:** Remove any factory running boards if equipped.



**STEP 3:** Carefully place step into place and loosely fasten using the supplied M10X25mm hardware.

**Step 4:** Next, tighten the three lower bolts first, following with the three upper bolts.  
( 30-35 ft/lbs )

**Step 5:** Repeat steps 2-4 with passenger side.

Torque sequence

