



Installation Instructions

Premium Sensor Rear

SKU: W3551

2015+ Chevrolet Suburban

SAFETY

Your safety and the safety of others is very important.

- In order to help you make informed decisions about safety, we have provided installation instructions and other information.
- These instructions alert you to potential hazards that could hurt you or others.
- Please do a job safety analysis (JSA) before each task to identify potential hazards for your situation and remove/protect against them.
- You must use your own good judgment, and take your time.

Read and understand all safety precautions and instructions before installing this product.

THIS PRODUCT IS FOR OFFROAD USE ONLY. ALL LIABILITY FOR INSTALLATION AND USE RESTS WITH THE OWNER.

CARELESS INSTALLATION AND OPERATION CAN RESULT IN SERIOUS INJURY OR EQUIPMENT DAMAGE.

SENSORS' FIELD OF VIEW WILL BE ALTERED WITH USE OF THE REPLACEMENT BUMPER.

Injury hazard

Failure to observe these instructions could lead to severe injury or death.

- Always** remove jewelry and wear eye protection.
- Always** use extreme caution when jacking up a vehicle for work. Set emergency brake and use tire blocks. Locate and use the vehicle manufacturers designated lifting points. Use jack stands.
- Always** use appropriate and adequate care in lifting components into place.
- Always** insure components will remain secure during installation and operation.
- Always** wear safety glasses when installing this kit. A drilling operation will cause flying metal chips. Flying chips can cause serious eye injury.
- Always** use extreme caution when drilling on a vehicle. Thoroughly inspect the area to be drilled (on both sides of material) prior to drilling, and relocate any objects that may be damaged.
- Always** use extreme caution when cutting and trimming during fitting.
- Always** tighten all nuts and bolts securely per installation instructions.
- Always** route electrical cables carefully. Avoid moving parts, components that become hot and rough or sharp edges.
- Always** insulate and protect all exposed wiring and electrical terminals.
- Always** perform regular inspections and maintenance on mounts and related hardware.





Installation Instructions

Premium Sensor Rear

SKU: W3551

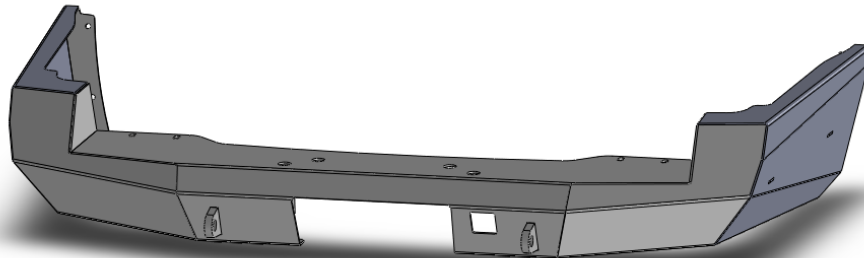
2015+ Chevrolet Suburban

I. Overview

Congratulations on your purchase of the industries' best and most stylish Chevy Suburban Rear Bumper! This bumper has been **engineered** for strength while keeping the weight down.

Your bumper was designed in 3-D, fabricated, and powder coated... all in the U.S.A.

Enjoy the fit and finish of a quality Chevy Suburban Rear Bumper from Fab Fours Inc!





Installation Instructions

Premium Sensor Rear

SKU: W3551

2015+ Chevrolet Suburban

II. Vehicle Preparation

1. Using a small flathead screwdriver, remove the plastic rivet in the lower corner of each rear wheel well by inserting the screwdriver into the recess and prying the head outward.
2. Using a 7mm socket and ratchet, Remove the five (5) screw fasteners from each wheel attaching the rear bumper cover to the inner fender liner.



Figure 1 - WHEEL WELL FASTENER LOCATIONS

3. Open the rear lift gate and remove the two plastic push rivets from below the center of the door with a small flathead screwdriver or plastic rivet removal tool.





Installation Instructions

Premium Sensor Rear

SKU: W3551

2015+ Chevrolet Suburban

4. Remove the four (4) remaining screws from the door sill with a 7mm socket and ratchet (two on each side).



Figure 2 – DOOR SILL FASTENER LOCATION

5. Detach the rear bumper cover from the lower support brackets by removing the screw fastener with a 10mm socket and ratchet. See below for fastener location:





Installation Instructions

Premium Sensor Rear

SKU: W3551

2015+ Chevrolet Suburban

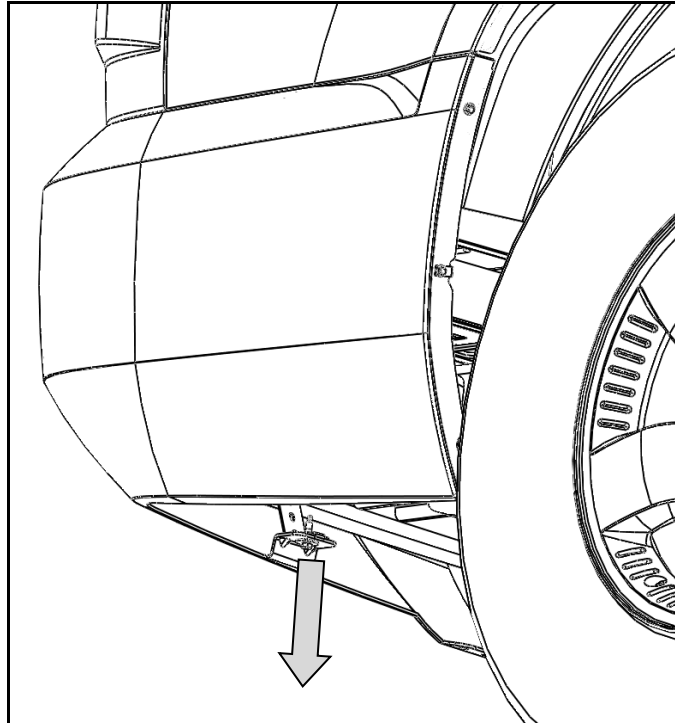


Figure 3 - LOWER SUPPORT FASTENER LOCATION - VIEW FROM BELOW

6. Reaching behind the bumper cover at the outer corner, firmly pull the cover outward to release it from the fastening clips. Repeat for other side.

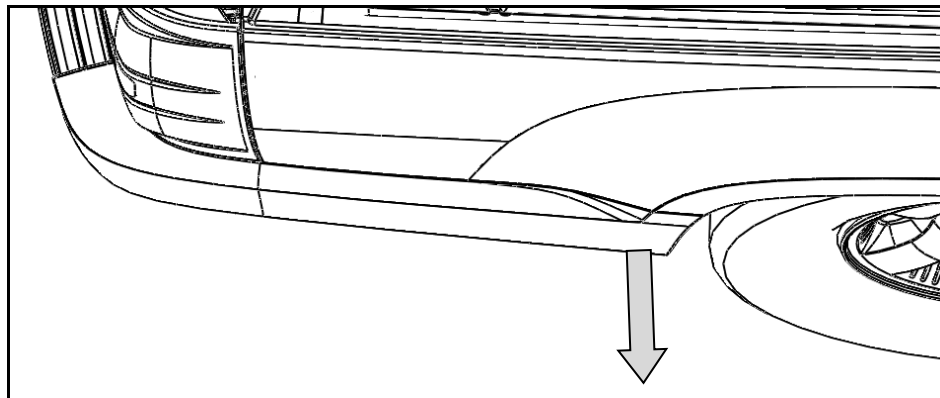


Figure 4 - CORNER CLIP RELEASE





Installation Instructions

Premium Sensor Rear

SKU: W3551

2015+ Chevrolet Suburban

7. Pull rearward on the bumper cover to remove it from the truck.

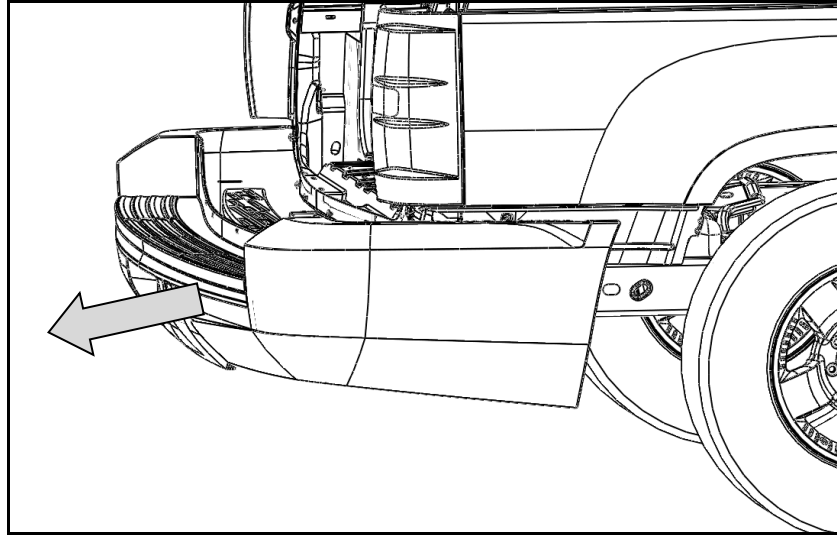


Figure 5 – BUMPER COVER REMOVAL

8. If your vehicle is equipped with Park Assist Radar, the wiring harness must be disconnected passenger side of the bumper before it can be fully removed.
9. Remove five (5) fasteners attaching the the bumper cover clipping brackets to the bottom of the fenders with a 10mm socket. See below for fastener location:





Installation Instructions

Premium Sensor Rear

SKU: W3551

2015+ Chevrolet Suburban



Figure 6 - CLIPPING BRACKET REMOVAL – VIEW FROM BELOW

10. Using a T10 torx bit remove the plastic support below tail light shown in picture below.



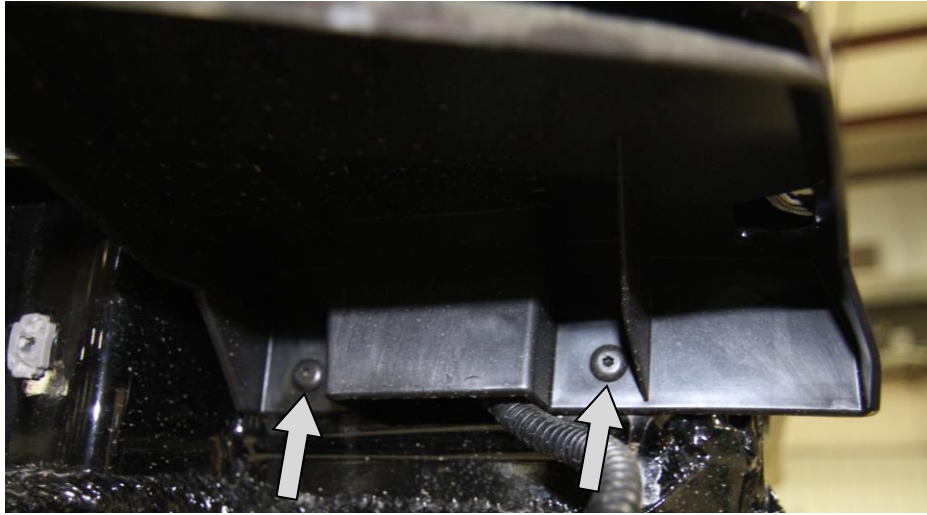


Installation Instructions

Premium Sensor Rear

SKU: W3551

2015+ Chevrolet Suburban



11. After removing the T10 Torx screws, the taillight must be partially removed to slide the plastic piece off. This is done by removing the cover inside the hatch and using a T10 Torx to remove the two remaining screws. The light will swing out.





Installation Instructions

Premium Sensor Rear

SKU: W3551

2015+ Chevrolet Suburban

12. The disassembly of the vehicle is now complete.

Optional: Removal of the spare tire will increase accessibility to Fab Fours bumper adjustment points during the installation.





Installation Instructions

Premium Sensor Rear

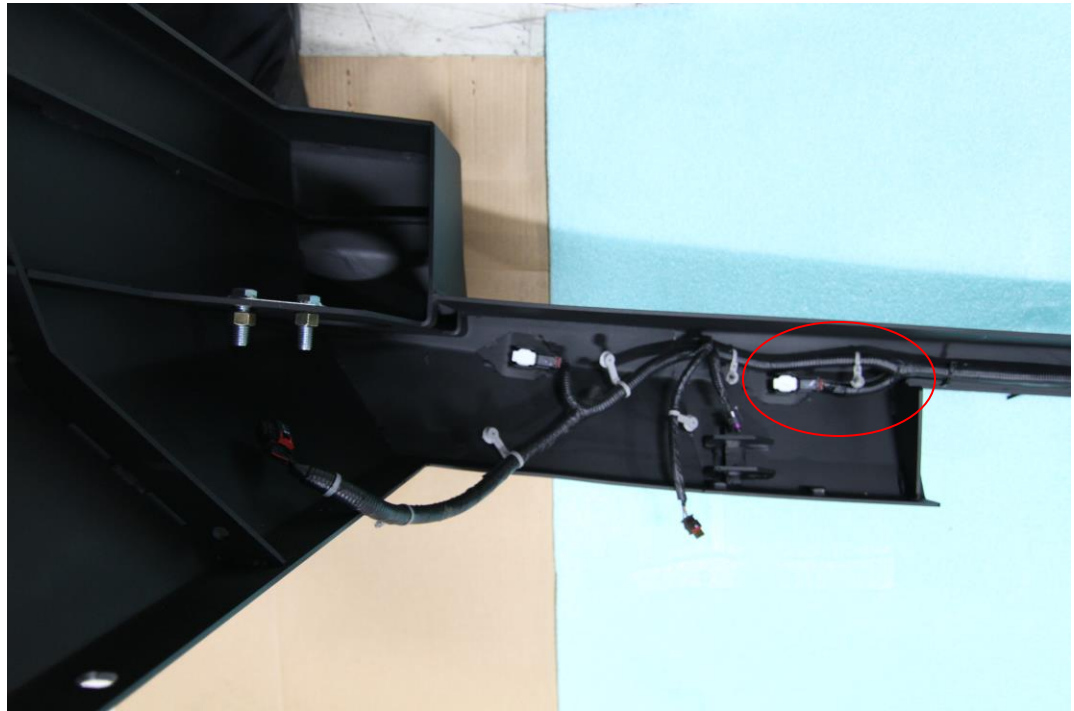
SKU: W3551

2015+ Chevrolet Suburban

III. Bumper Installation

NOTE: **PLEASE READ THE ENTIRE MANUAL BEFORE ATEMPTING INSTALLATION!** Ignoring these steps will increase your probability of damaging the vehicle and/or bumper, as well as decreasing the overall quality of the installation!

1. Fully unpack and inspect all of the components included with your Fab Fours rear bumper.
2. Start by installing sensors and sensor harness in bumper as shown below. (Sensor mounts may need to be bent to hold sensor) The second sensor (circled below) will be too short to reach the housing and must have the plastic harness cover cut to increase the length.



3. Next, install the provided bolt strips in bumper as shown.



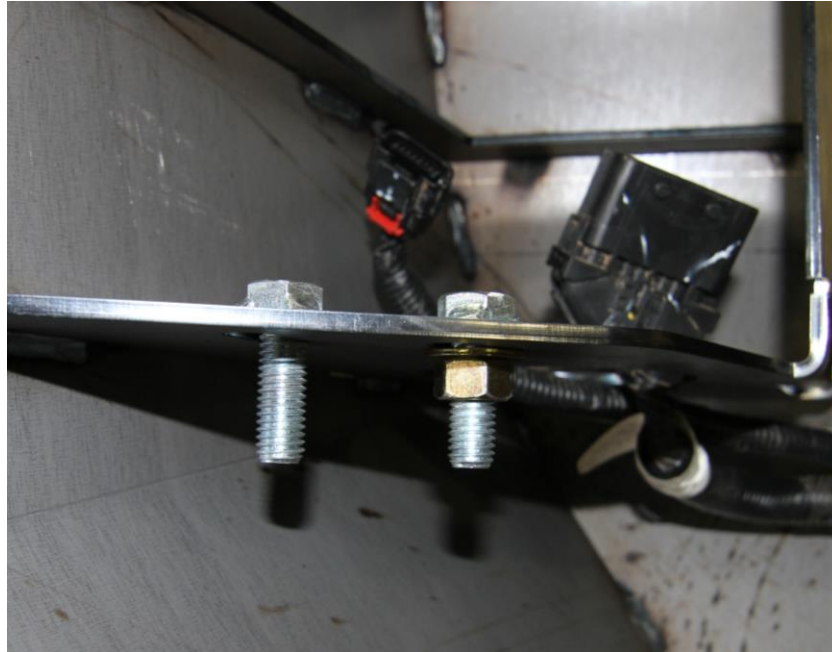


Installation Instructions

Premium Sensor Rear

SKU: W3551

2015+ Chevrolet Suburban



4. With the help of another person, lift the bumper into position on the vehicle. Angle the bumper as shown below, then lift the wings into place. The bumper will rest on top of the OEM Hitch.

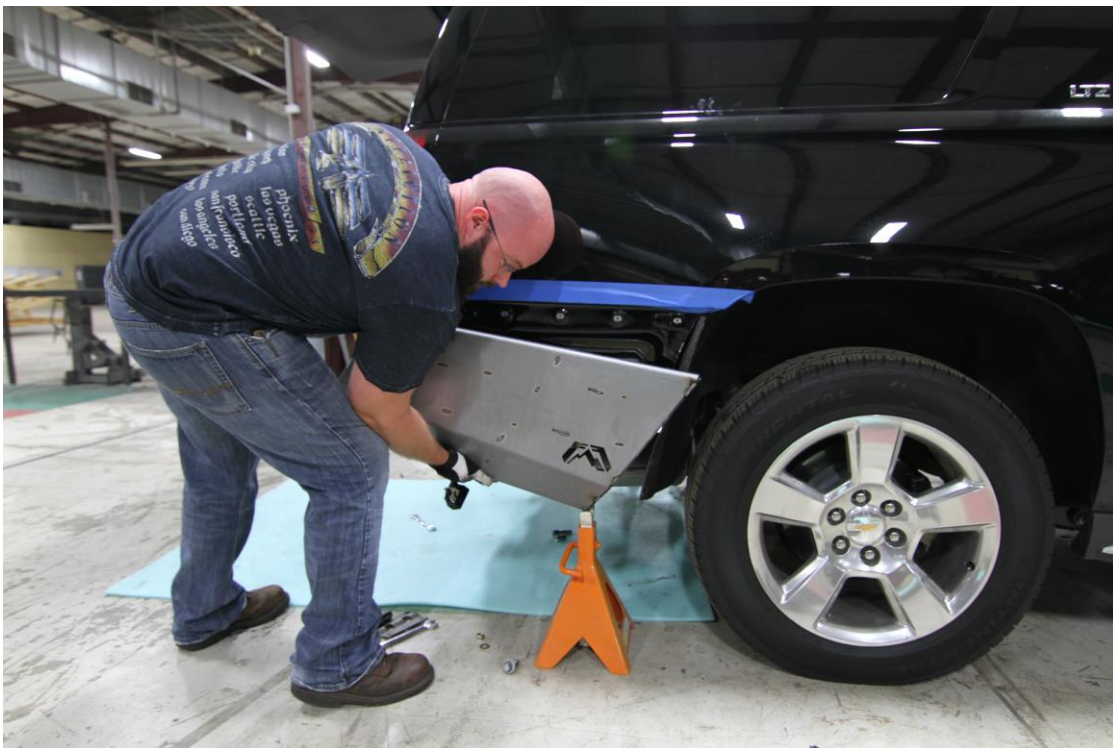


Figure 7 – BUMPER INSTALLATION – SIDE VIEW





Installation Instructions

Premium Sensor Rear

SKU: W3551

2015+ Chevrolet Suburban

5. Remove the hitch mounting screws from the side of both frame rails with an 18mm socket and ratchet. These fasteners are installed with Loctite at the factory, so a breaker bar and extra force may be required.

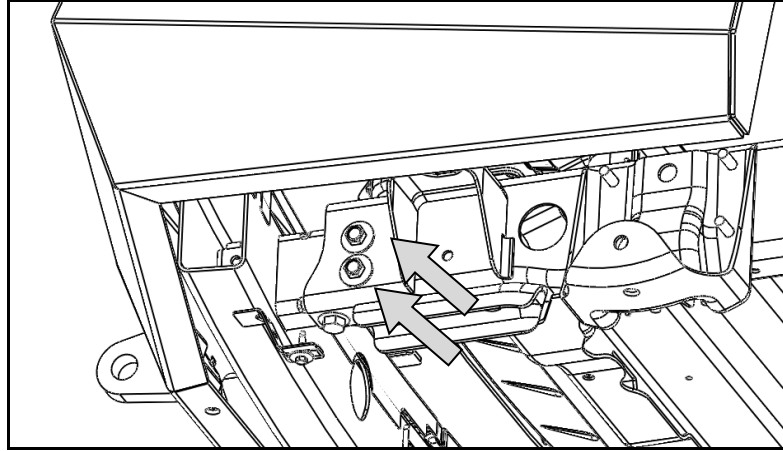
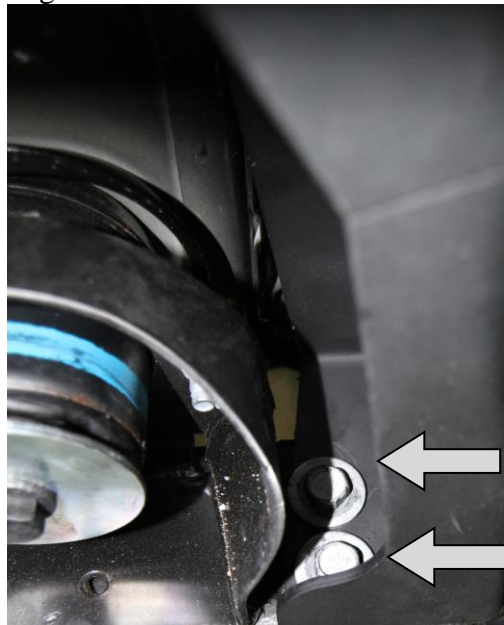


Figure 11 - HITCH MOUNTING SCREW REMOVAL - VIEW FROM BELOW

6. Loosely reinstall the hitch mounting screws with the Fab Fours provided bumper mounting brackets as shown below.





Installation Instructions

Premium Sensor Rear

SKU: W3551

2015+ Chevrolet Suburban

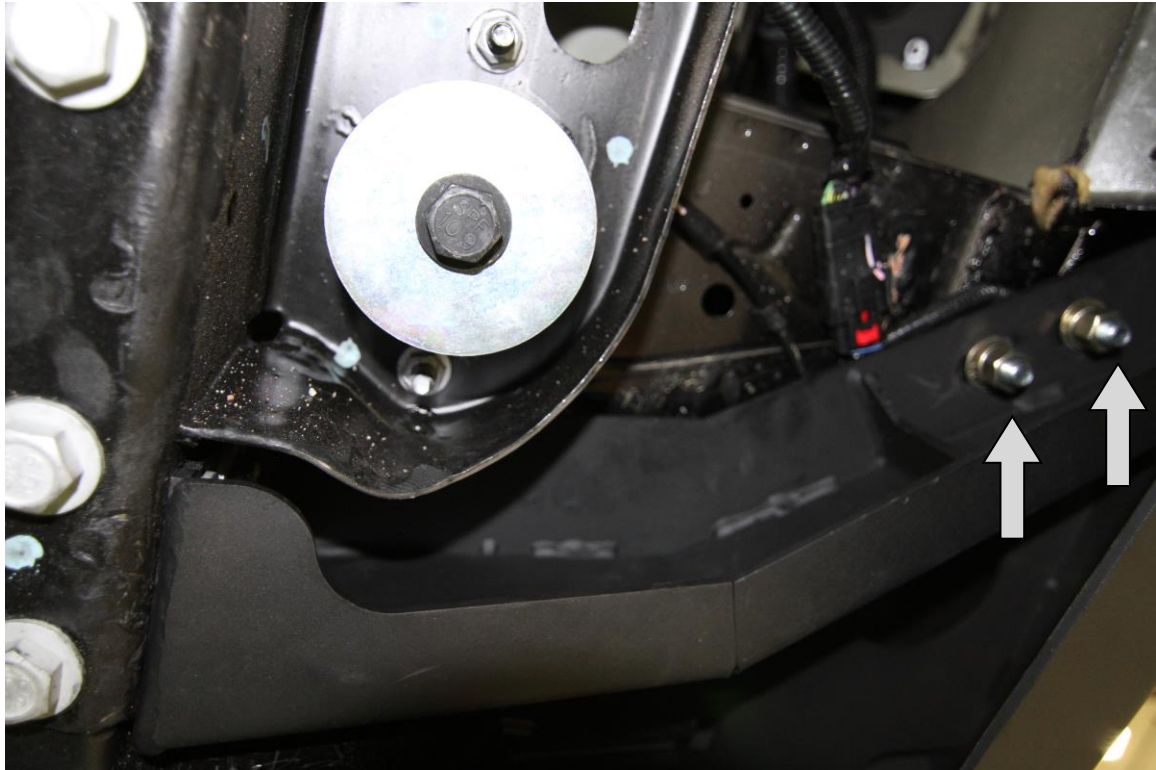


Figure 12 - OUTER BRACKET INSTALLATION – VIEW FROM BELOW DRIVER FRAME RAIL

7. Loosely install the remaining fasteners for both of the outer brackets.
 - a. The outer holes use the Fab Fours provided stud plates with $\frac{1}{2}$ " flat washers, $\frac{1}{2}$ " lock washers, and $\frac{1}{2}$ " hex nuts. The stud plate was installed in a previous step. It CANNOT be installed after putting the bumper on the truck.

8. Check the gap between the fender and the bumper wing. See image below.





Installation Instructions

Premium Sensor Rear

SKU: W3551

2015+ Chevrolet Suburban

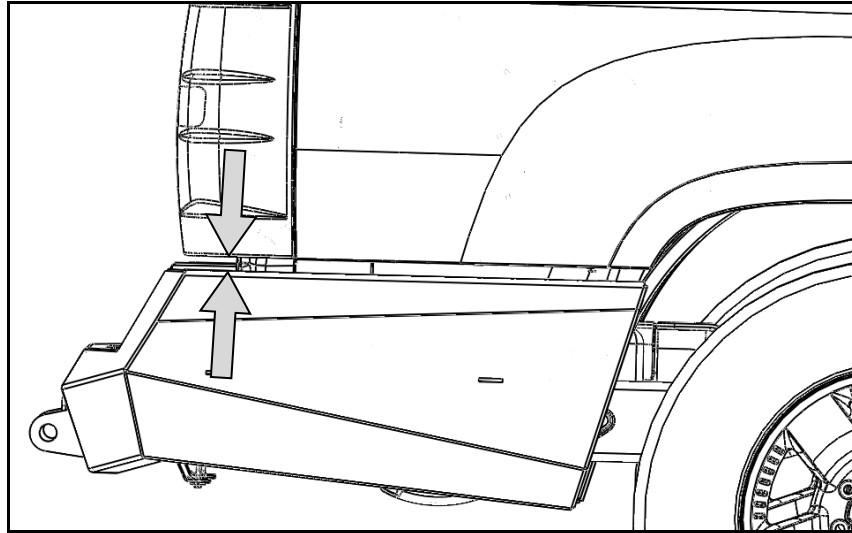


Figure 9 - BUMPER GAP MEASUREMENT

9. Slowly close the lift gate to verify clearance to the bumper and fasteners. With the lift gate closed, center the bumper so the gap on either side is equal.
10. Reopen the lift gate.
11. Verify that the bumper has not shifted during fastening. Re-adjust if necessary, then tighten the outer mounting bracket fasteners, starting with the provided bolt strip to limit in and out movement. Then make sure gap between truck and bumper is good and tighten the bolts to the frame on vehicle.
12. Loosely install the Fab Fours provided lower support brackets with provided 7/16" x 1.5" hex bolts, 7/16" flat washers, and 7/16" lock washers through the lower edge of the bumper as shown below.

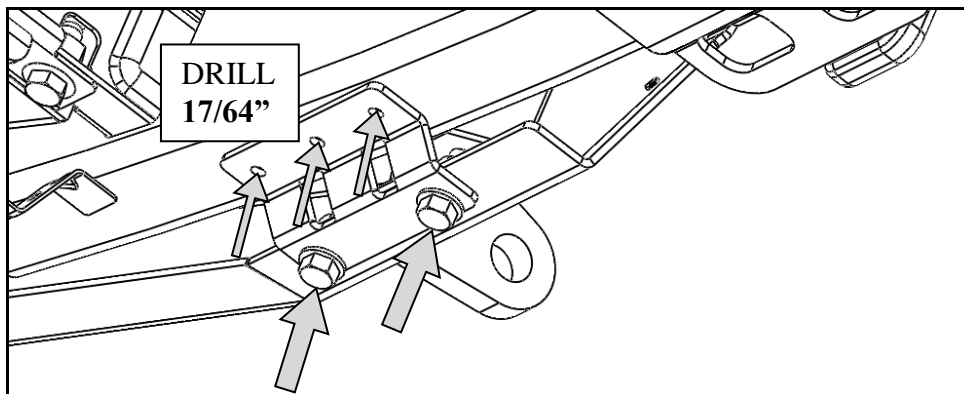


Figure 14 - LOWER SUPPORT BRACKET INSTALLATION - VIEW FROM BELOW





Installation Instructions

Premium Sensor Rear

SKU: W3551

2015+ Chevrolet Suburban

13. Drill pilot holes through the three (3) mounting holes in the hitch beam with a 17/64" drill bit. Repeat for both lower support brackets
14. Install three self-tapping screws per bracket into the drilled holes with a 1/2" socket and ratchet.
15. Fully tighten the 7/16" bolts in the lower edge of the lower edge of the bumper with a 5/8" socket and ratchet.
16. Do not forget to reconnect sensor harness, and make sure plug is secure in the bumper.



17. **OPTIONAL:** Trim the inner fender liners to match the higher clearance of your Fab Fours bumper. This can be done with a body saw, rotary tool, or sharp utility knife (New blade strongly recommended).
USE CAUTION WHEN PERFORMING ANY CUTTING OPERATION TO PREVENT VEHICLE DAMAGE OR PERSONAL INJURY.
18. Next loosely install 7/16" hex head bolt through wing of bumper into wing mounting bracket. Once bracket is in place, using provided self-tapping screw, secure top of bracket to body of vehicle as shown below.



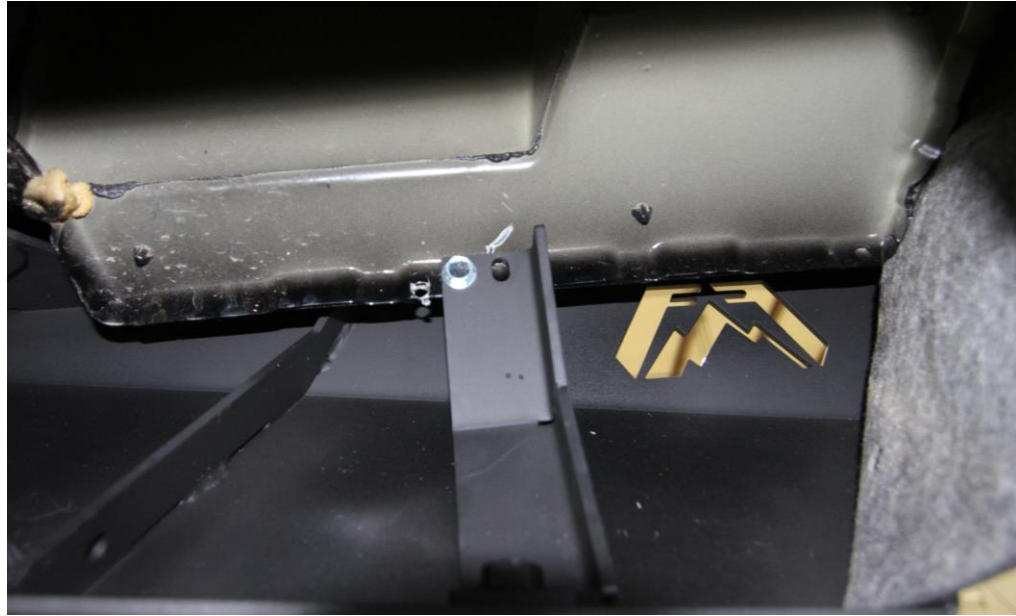


Installation Instructions

Premium Sensor Rear

SKU: W3551

2015+ Chevrolet Suburban



19. Once installed be sure all hardware is tightened and bumper is secure to vehicle.
20. **OPTIONAL:** Hardware and mounting supplies are provided to reattach the inner fender liner to your Fab Fours bumper if desired.





Installation Instructions

Premium Sensor Rear

SKU: W3551

2015+ Chevrolet Suburban

IV. Maintenance/Care

- Periodically check and tighten all fasteners.
- Stripped, fractured, or bent bolts or nuts need to be replaced.
- Keep all surfaces free of dirt, road grime, and standing water to ensure finish longevity.

V. Contact Information

Fab Fours Inc.
2213 Industrial Park Road
Lancaster, SC 29720

Phone (866)-385-1905
Fax (866)-574-1424
Email Support@fabfours.com

VI. Your Vehicle on our Website!

- Send high resolution images to sales@fabfours.com.*



More than expected... Better than expected

